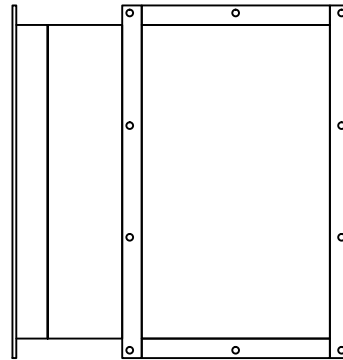
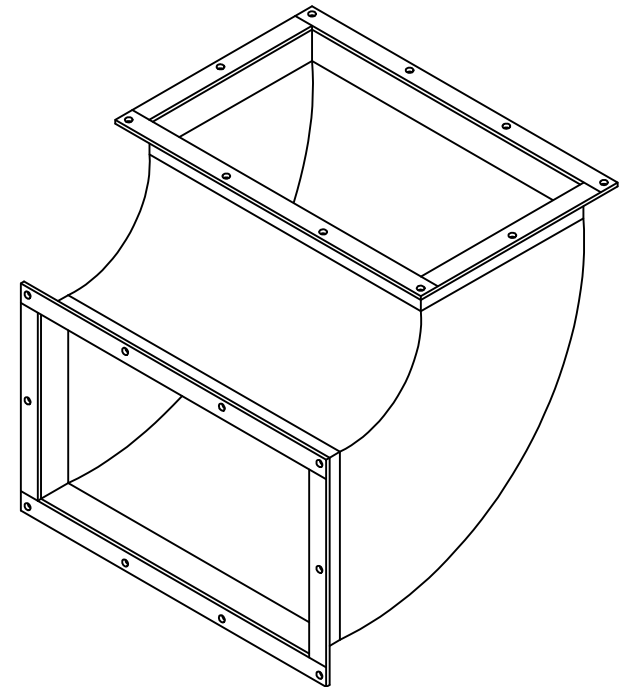


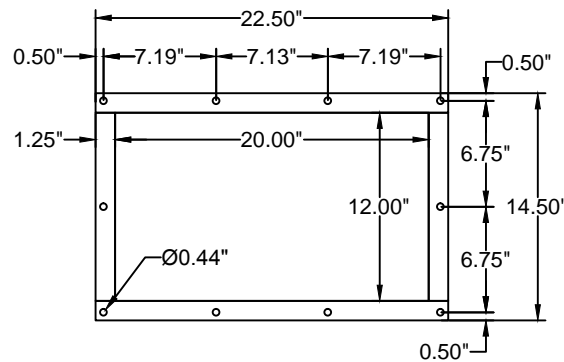
Local 37 - Rectangular Elbow



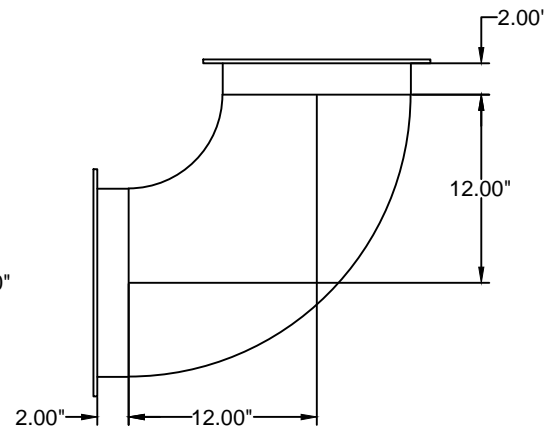
Top View



Isometric View



Flange View



Side View

Avani Environmental 95 Cypress Drive Youngsville, NC 27596 P# 919-570-2862 F# 919-570-2863		Avani
Project: Local 37		
Drawing: Rectangle Elbow		
Date: 10/16/13	Drawn by: MDT	
Sheet No: 1	Rev.: 0	