



Date: February 13, 2013

Project: Welding School

To: Laurus Technical Institute

Attn:

Recommended Equipment:

(12) WB-5056 (5'W x 6'D) Welding Booth

(2) ARM 2030

(1) 30HP Blower (13,000 CFM @ 8"SP): outside install, on the ground

Avani Environmental Inc.

95 Cypress Drive

Youngsville, NC 27596

www.avanienvironmental.com

Phone: (919) 570-2862

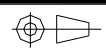
Fax: (919) 570-2863

Email: info@avanienvironmental.com

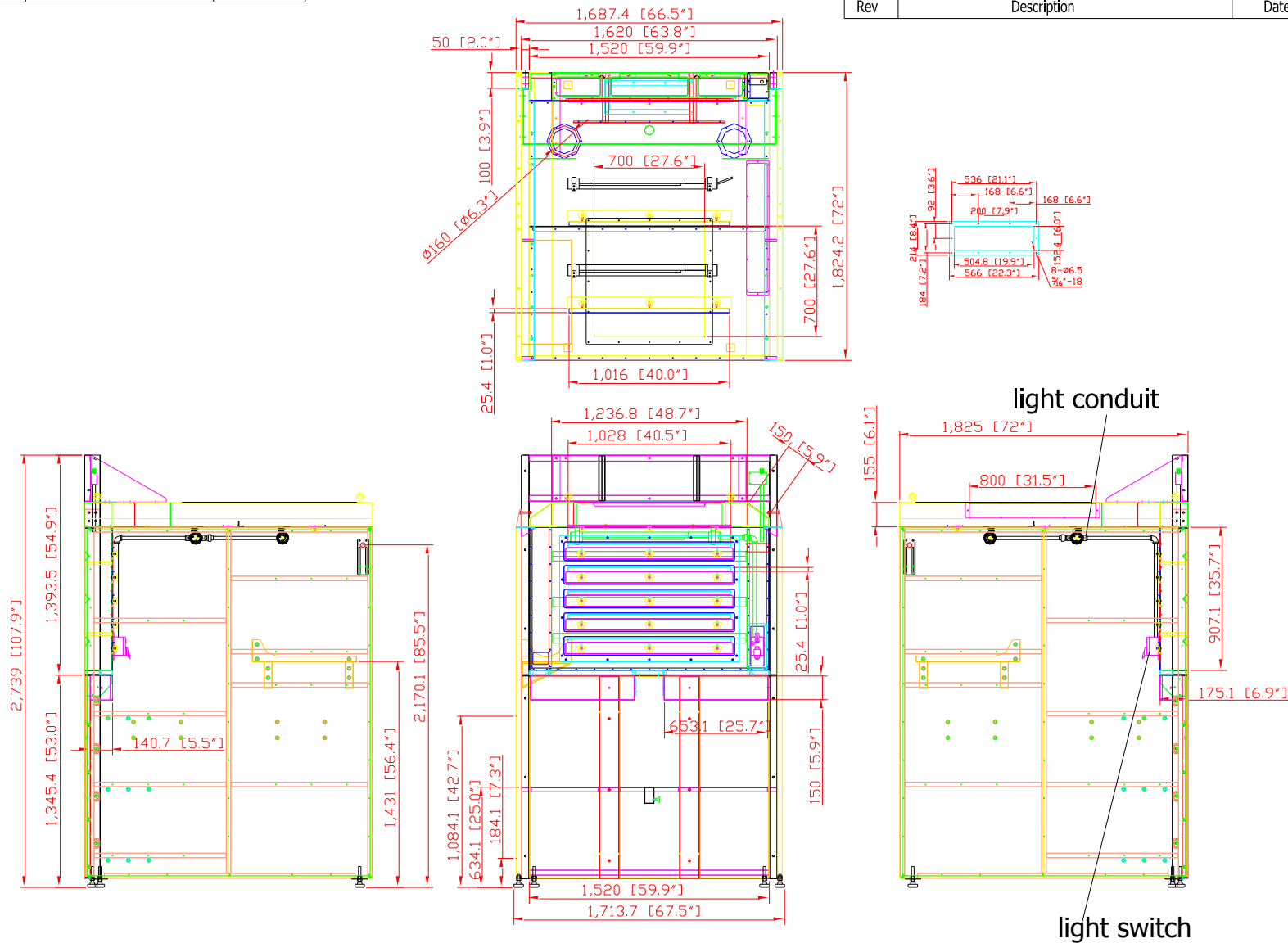
www.weldingbooths.com

DO NOT SCALE

IF IN DOUBT ASK



Revisions			
Rev	Description	Date	Approved



AVANI ENVIRONMENTAL INTL. INC. Sales Department
 95 Cypress Drive
 Youngsville, NC 27596

(919) 570-2862
 info@avanienvironmental.com

Date	Name	Part Number:
2013-03-14	***	**
Checked by:		

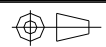
Title: **WB-5056 (DW walls)**

The drawings, AutoCAD, 3-D Models, and specifications are the property of Avani Environmental Intl. Inc. (AE) and may not be reproduced, distributed, modified, or otherwise used, except provided herein, without the express written permission of AE.

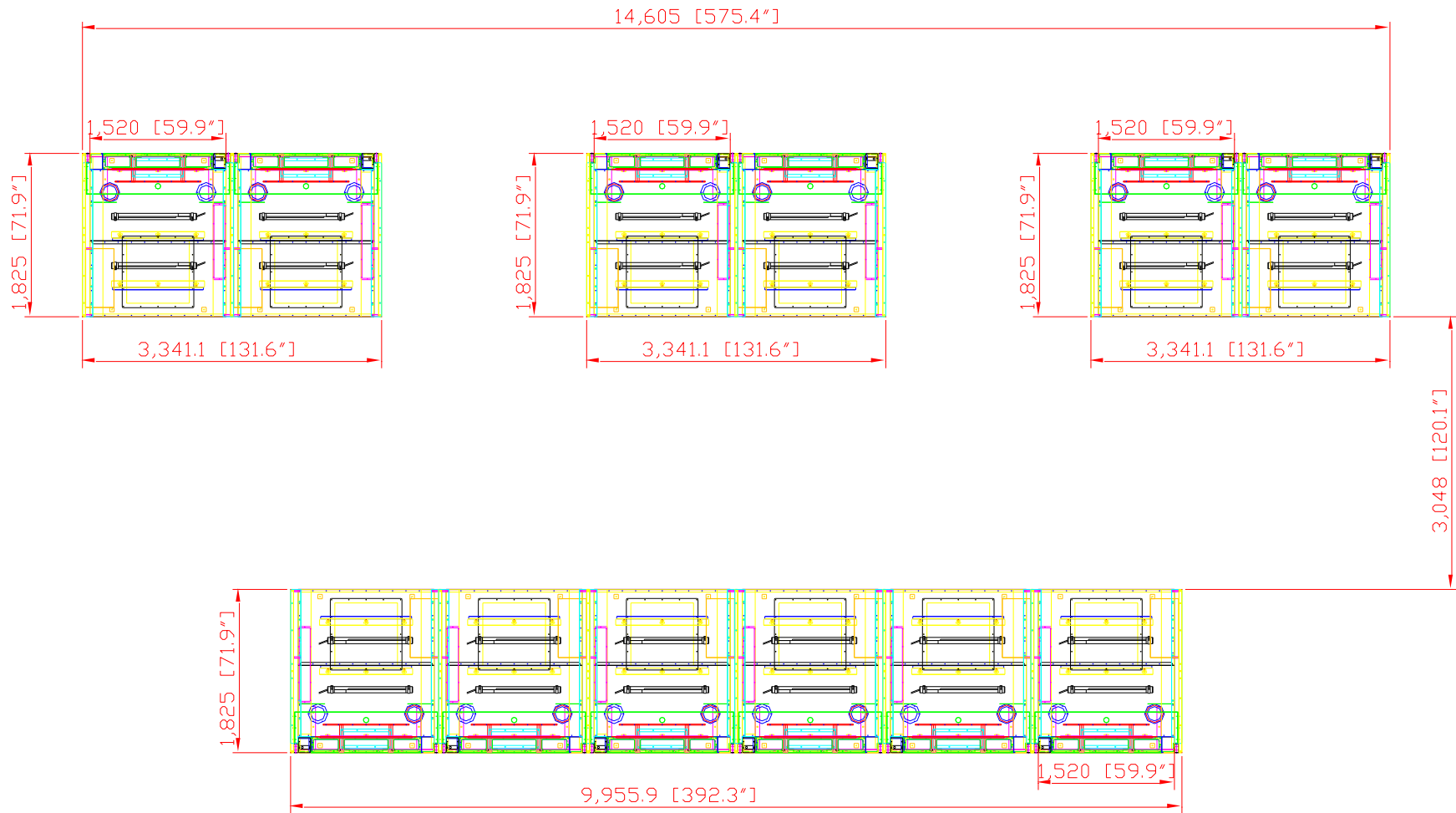
Size **A** Scale 1 = 35 Drawing Number: **Laurus**

DO NOT SCALE

IF IN DOUBT ASK



Revisions			
Rev	Description	Date	Approved



AVANI ENVIRONMENTAL INTL. INC. Sales Department
 95 Cypress Drive
 Youngsville, NC 27596

(919) 570-2862
 info@avanienvironmental.com

Date	Name	Part Number:
2013-03-14	***	**
Drawn by:	Checked by:	

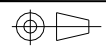
Title: WB-5056 (DW walls)

The drawings, AutoCAD, 3-D Models, and specifications are the property of Avani Environmental Intl. Inc. (AE) and may not be reproduced, distributed, modified, or otherwise used, except provided herein, without the express written permission of AE.

Size	Scale	Drawing Number:
A	1 = 35	Laurus

DO NOT SCALE

IF IN DOUBT ASK



Revisions

Rev	Description	Date	Approved
-----	-------------	------	----------

Hanging Arm 8"*10'

Diameter: 8"

Length: 10'

Weight: 58.4 lbs (net)

Arm Construction: Two galvanized steel tubes, three pieces of flex hose at joints, aluminum hood, heavy gauge steel swivel base, and support spring.

Arm Adjustment: Externally supported, adjustments are quickly done at the joints.

Hood: 14" diameter round aluminum hood.

Damper: Internal with external adjustment.

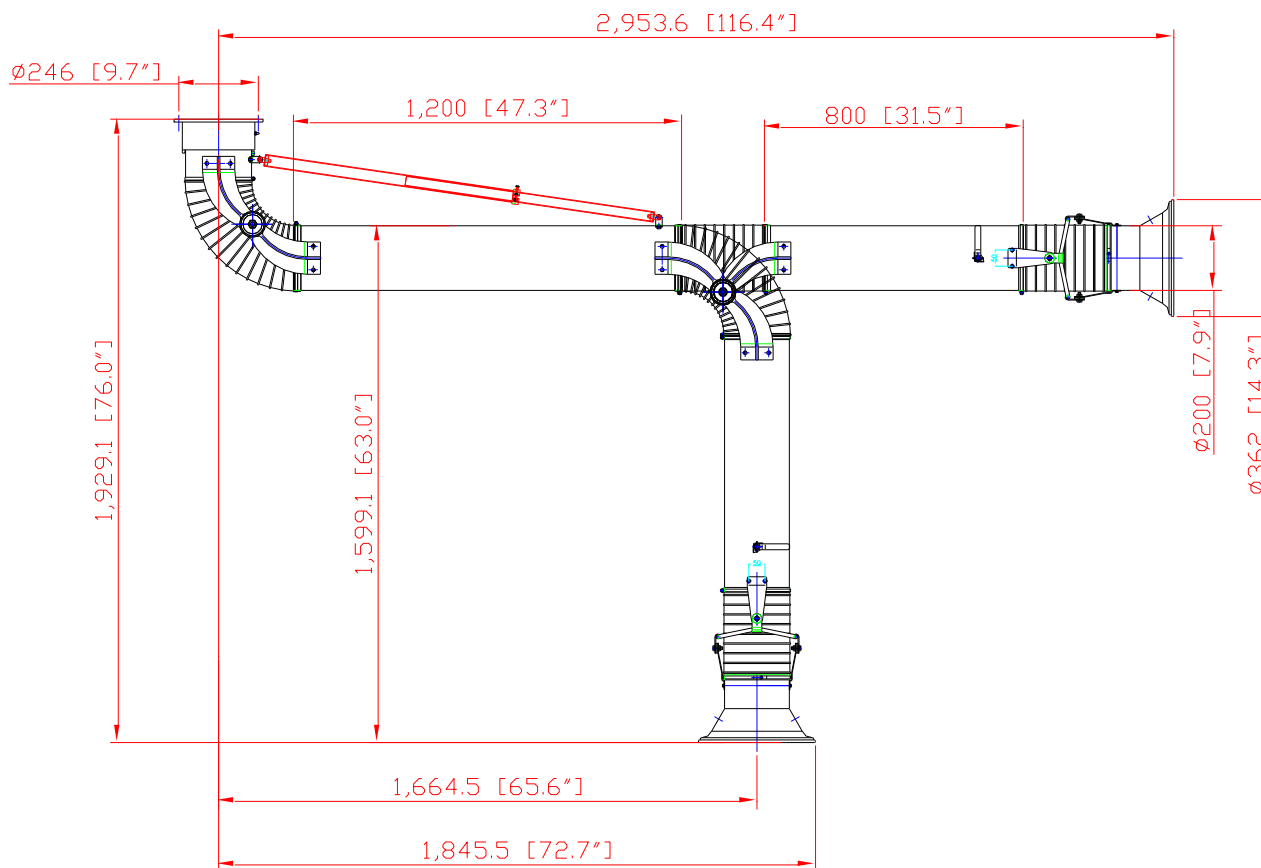
Finish: Powder coated.

Hose: Rated at 160°F

Accessories: Mounting bracket and light kit.

Mounting Bracket:

Warranty: Limited two years from date of purchase.



Packing Size:	196 x 40 x 75.5 cm 77.2 x 15.7 x 29.7 inch
N.W. / G.W.:	26.5 / 37.5 kgs 58.4 / 82.7 lbs

AVANI ENVIRONMENTAL INTL. INC. Sales Department

95 Cypress Drive

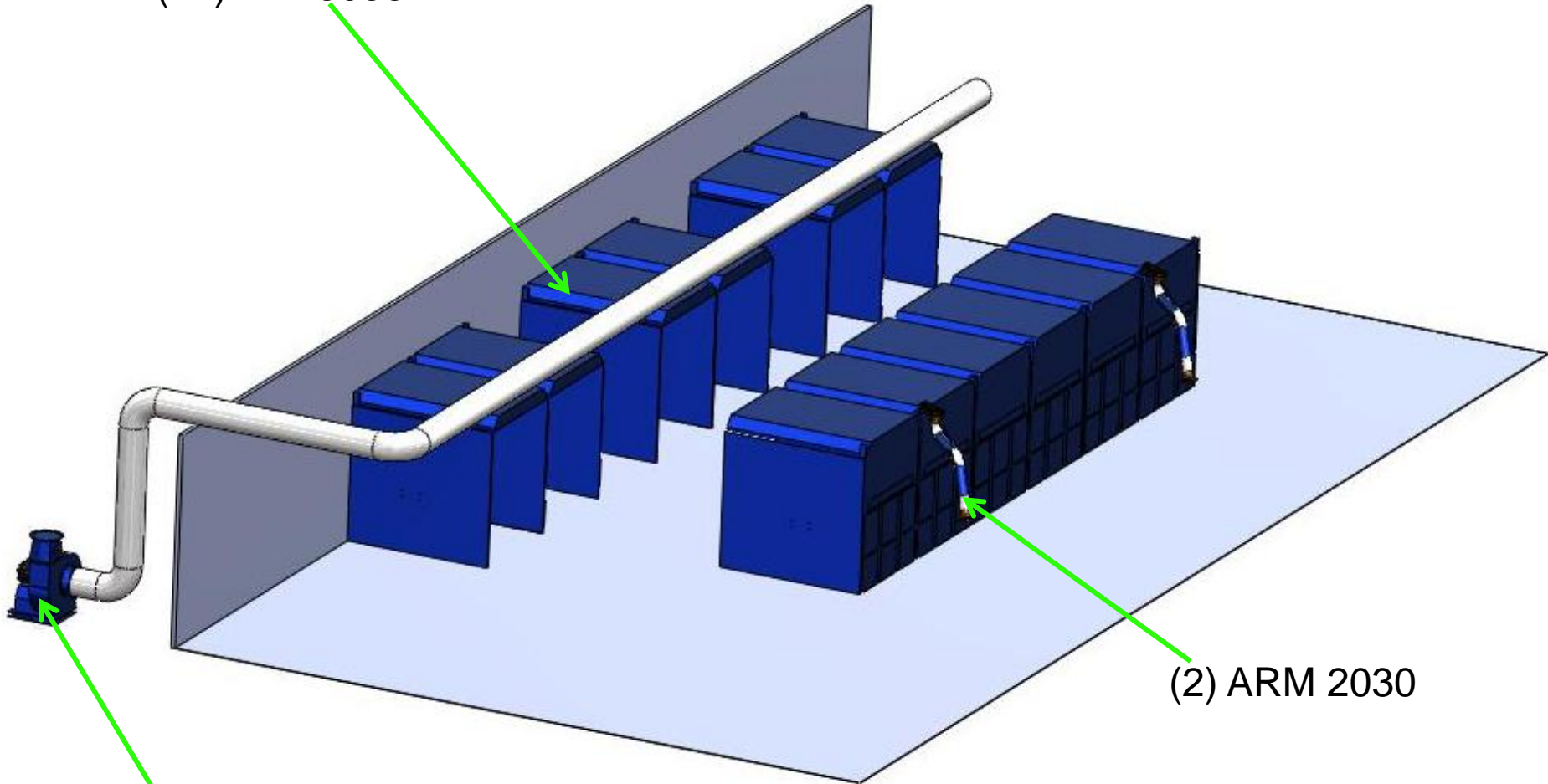
Youngsville, NC 27596

(919) 570-2862

info@avanienvironmental.com

Drawn by:	Date	Name	Part Number:	Title:
Checked by:	2009-12-08	***	**	Arm 2030
The drawings, AutoCAD, 3-D Models, and specifications are the property of Avani Environmental Intl. Inc. (AE) and may not be reproduced, distributed, modified, or otherwise used, except provided herein, without the express written permission of AE.				Size
				Scale
				Drawing Number:
				1 = xx
				2009.12.08

(12) WB-5056



(2) ARM 2030

(1) 30HP blower

venting straight upward (13,000CFM @ 8"SP),
outside install, on the ground

