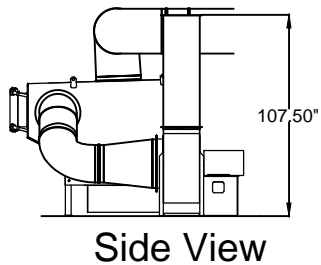
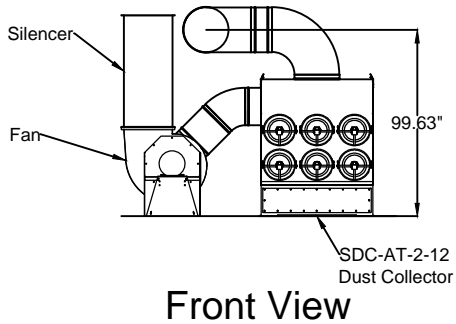
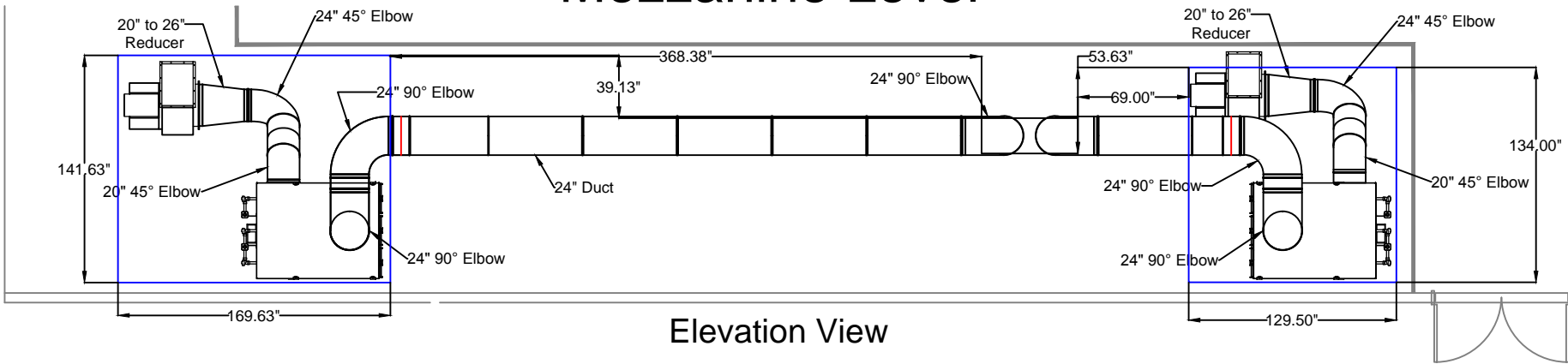


LATTC Gas Booths Mezzanine Level



Avani Environmental Intl. 95 Cypress Drive Youngsville, NC 27596 P# 919-570-2862 F# 919-570-2863		
Project: LATTC Gas Booths		
Drawing: Mezzanine Duct Layout		
Date: 6/14/13	Drawn by: MDT	
Sheet No: 1 Of 1	Rev.: 0	