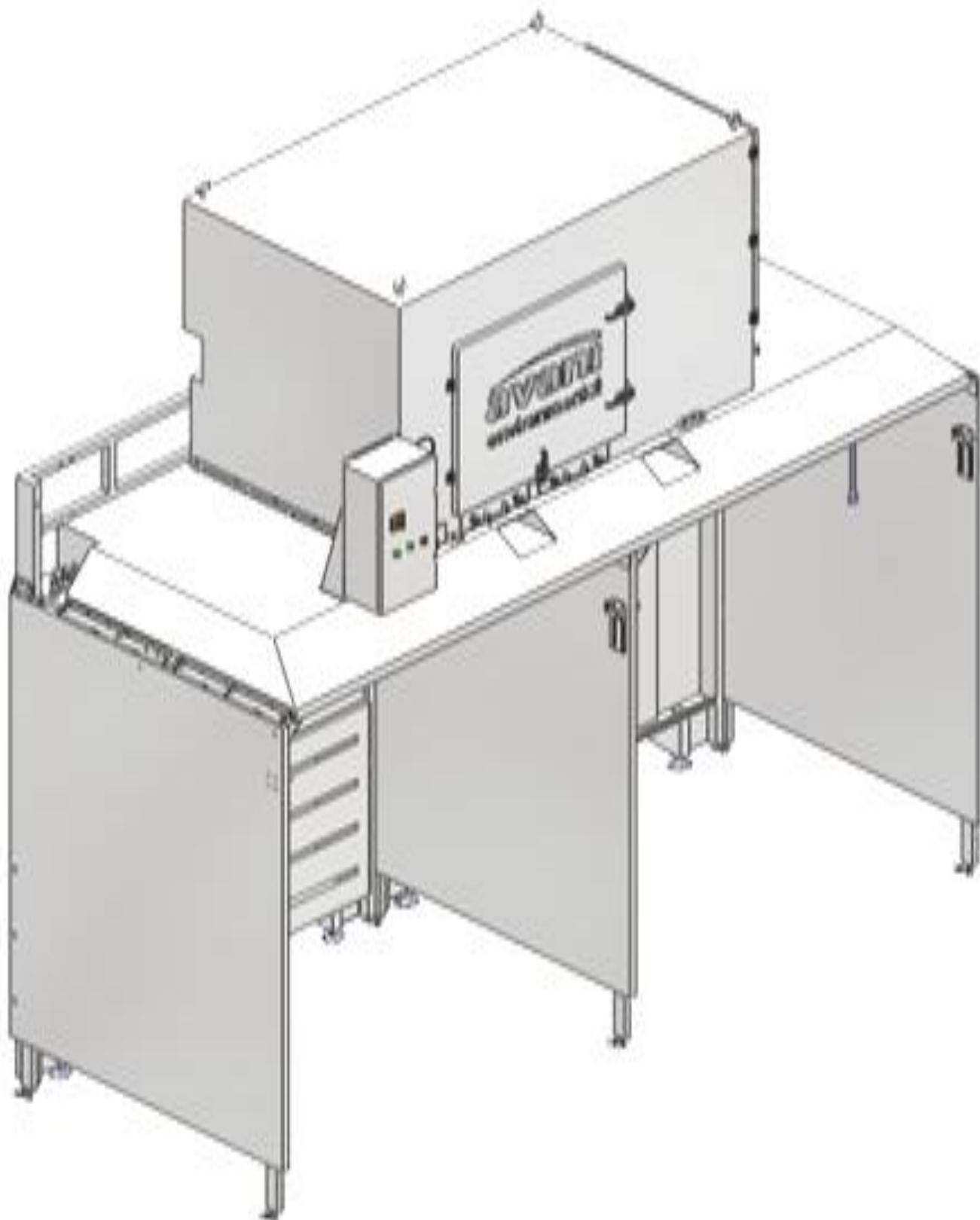


**✦ Installations for WB-6065 (2 booths side by side).**



## ✚ Installations for WB-6065 (2 booths side by side).

- Take out **Swing Open Backdraft Upper Section** and **Swing Open Backdraft Lower Section**.
- Join **Swing Open Backdraft Upper Section** and **Swing Open Backdraft Lower Section** together with:

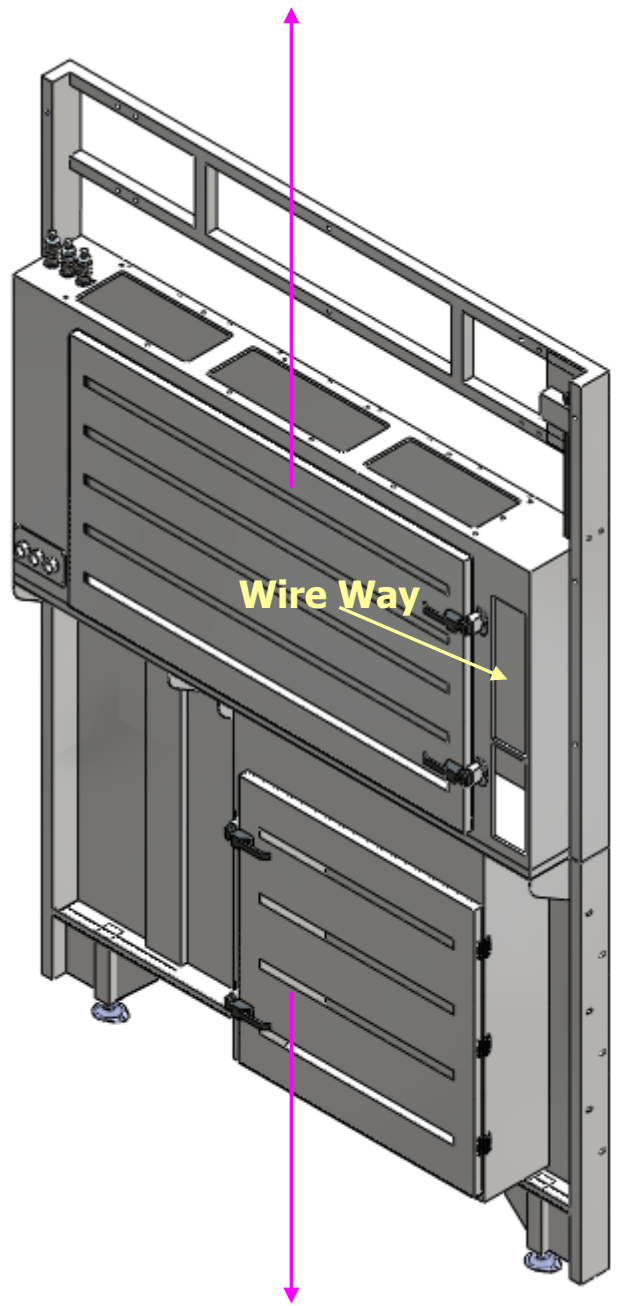
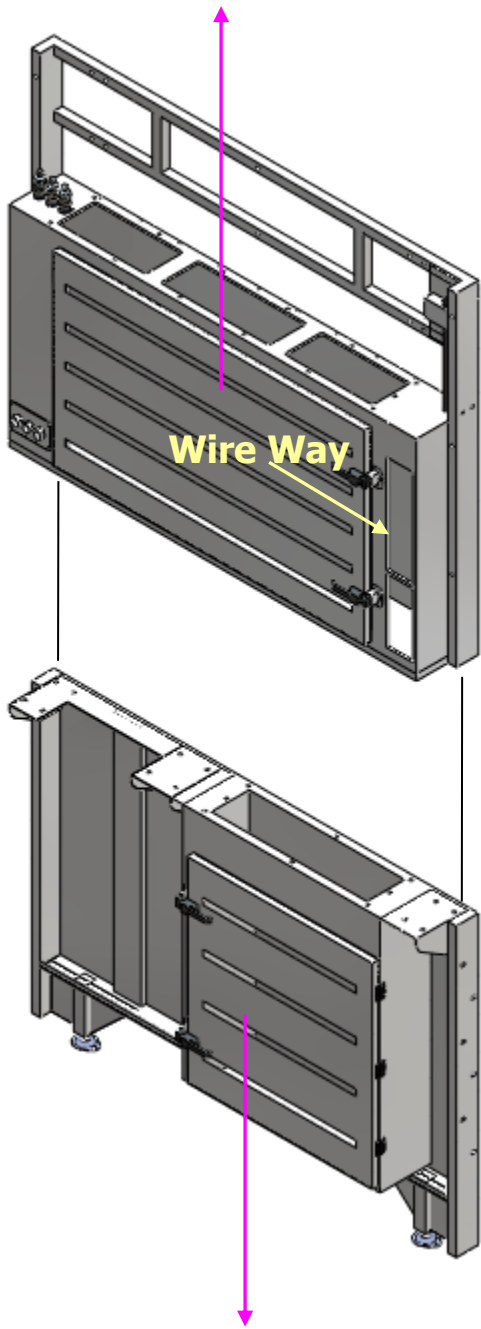
● Hardware I				
Part name	Description	Photos	Q'ty	Grainger Model #
Hex Screw	5/16" x 3/4"		20	1YU33
Flat Washer	5/16" x OD23 x 2t		40	*1JY31
Hex Nut	5/16"		20	2FE51

(\* Hardware item at similar spec available locally.

# ✦ Installations for WB-6065 (2 booths side by side).

Swing Open Backdraft Upper Section

Swing Open Backdraft Upper Section



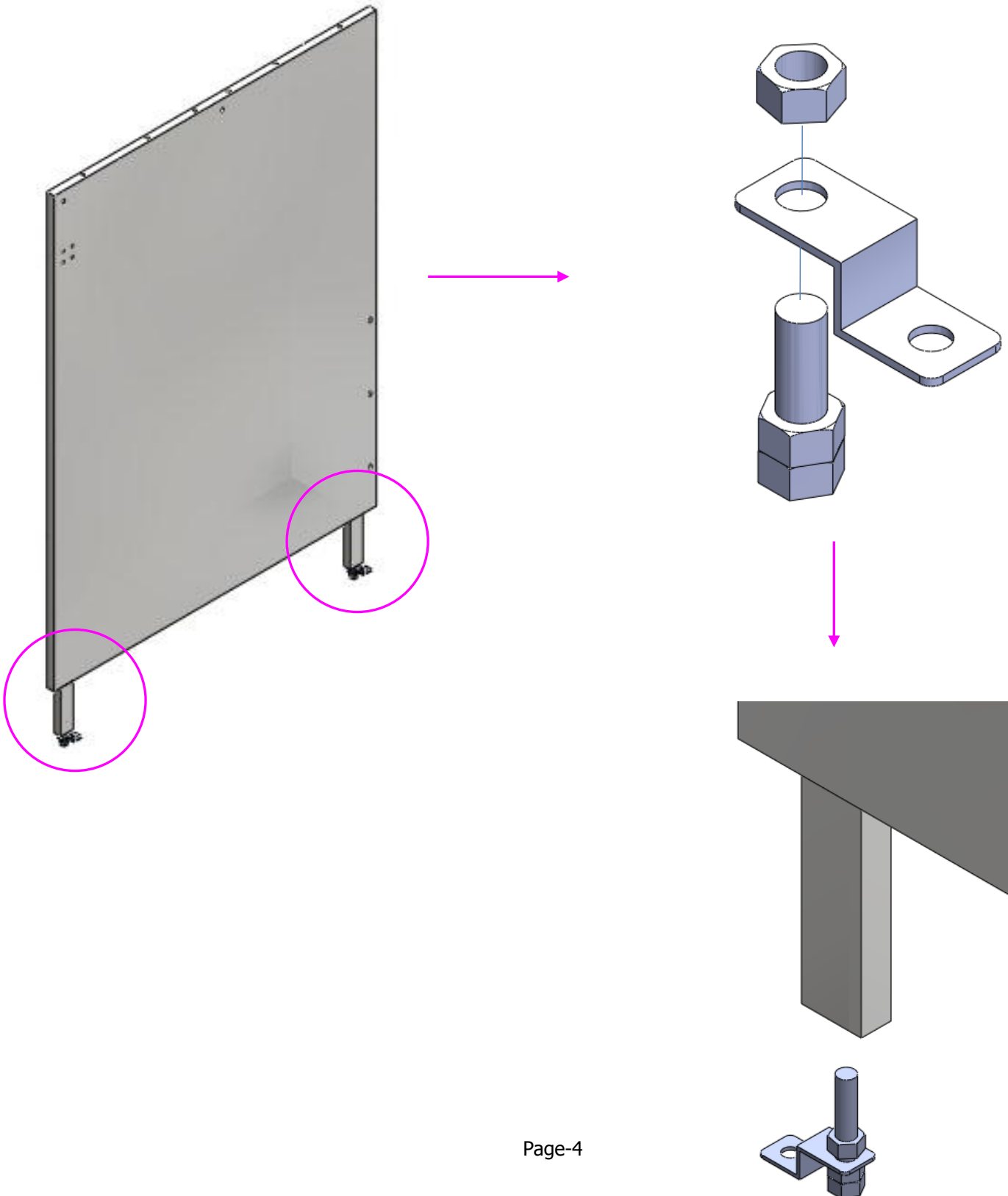
Swing Open Backdraft Lower Section

Swing Open Backdraft Lower Section

Ⓢ Note: the wire way on right side.

## ✦ Installations for WB-6065 (2 booths side by side).

- Take out **Adjustable Feet**
- Fasten **Adjustable Feet to Left Side Panel, Middle Side Panel and Right Side Panel.**

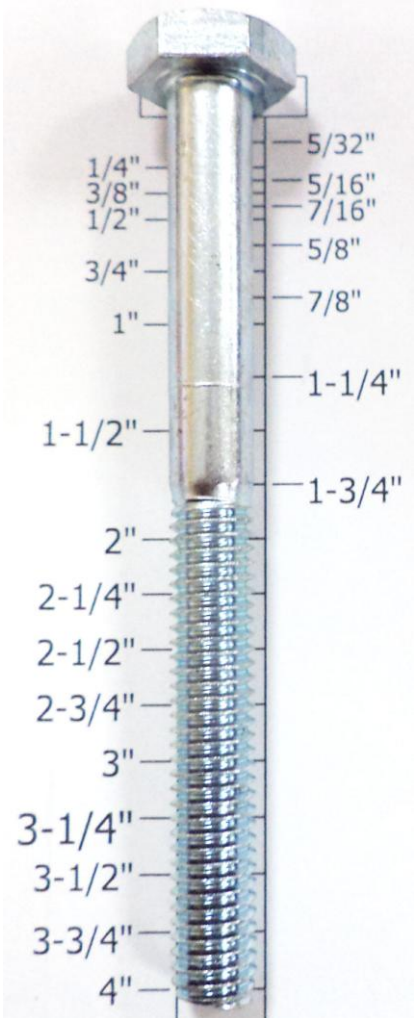


## ✦ Installations for WB-6065 (2 booths side by side).

- Take out **Left Side Panel**.
- Fasten **Left Side Panel** to and **Swing Open Backdraft**

**Upper Section** and **Swing Open Backdraft Lower**

**Section** together with:

Hardware D				
Part name	Description	Photos	Q'ty	Grainger Model #
Hex Screw (Partially Threaded)	3/8" x 4"		6	1KA62

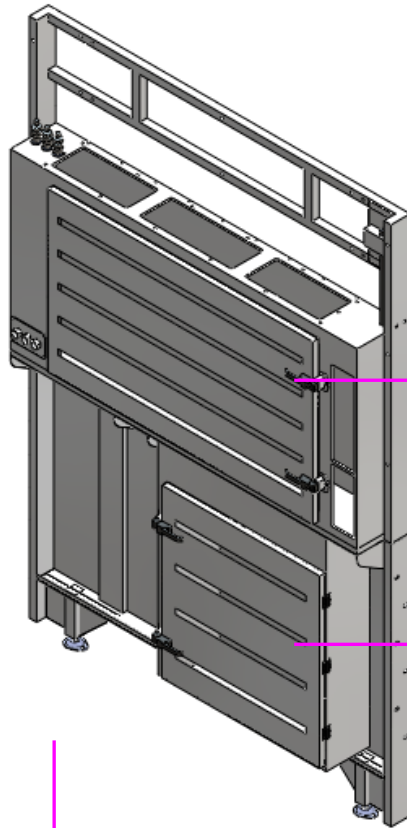
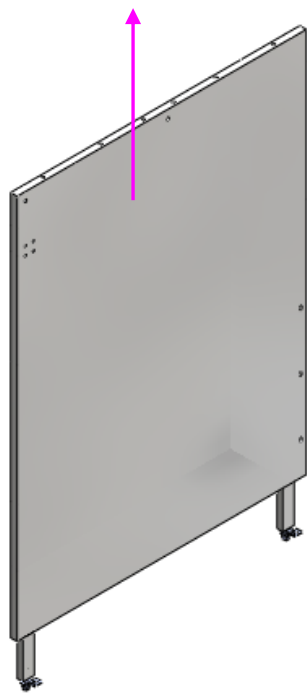
**✚ Installations for WB-6065 (2 booths side by side).**

Flat Washer	3/8" x OD23 x 2T		12	*1JY33
Nylon Hex Nut	3/8"		6	3HDU4

**(\*) Hardware item at similar spec available locally.**

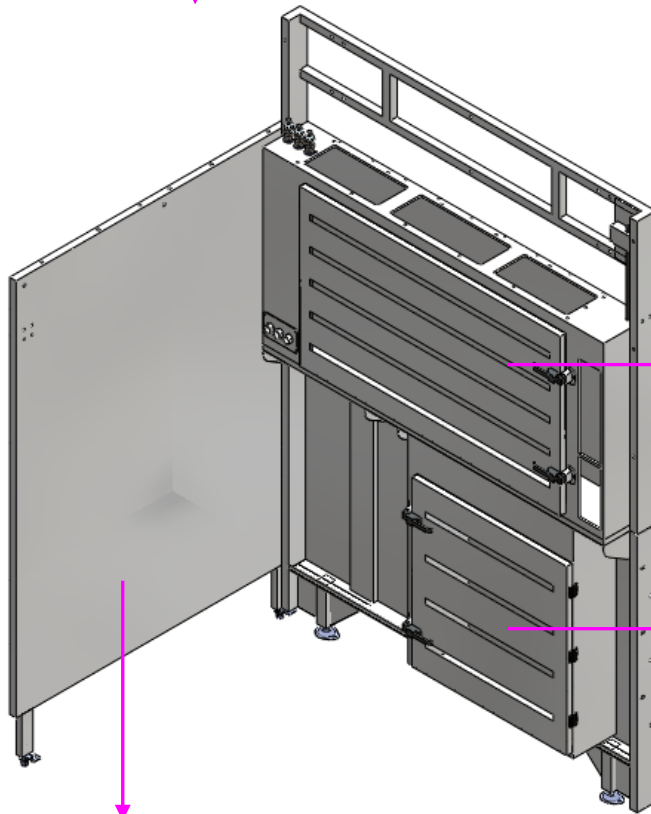
# Installations for WB-6065 (2 booths side by side).

Left Side Panel



Swing Open Backdraft Upper Section

Swing Open Backdraft Lower Section



Swing Open Backdraft Upper Section

Swing Open Backdraft Lower Section

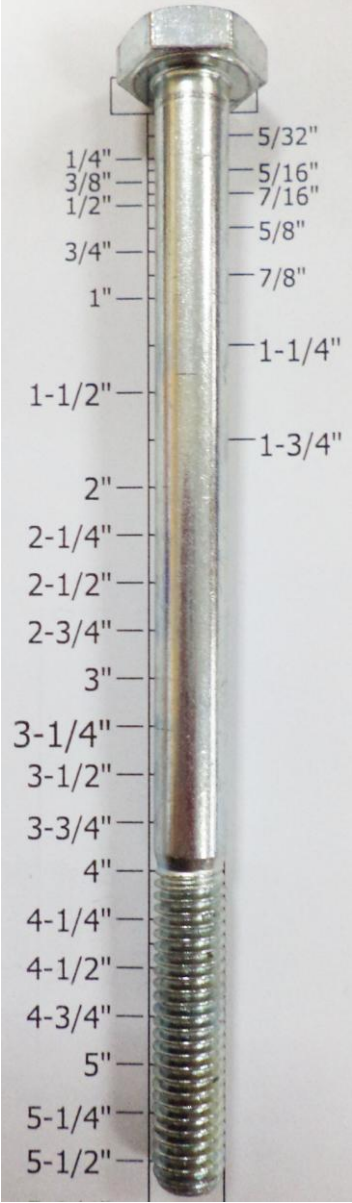
Left Side Panel

## ✦ Installations for WB-6065 (2 booths side by side).

- Take out **Middle Side Panel**.
- Fasten **Middle Side Panel** to and **Swing Open**

**Backdraft Upper Section** and **Swing Open Backdraft**

**Lower Section** together with:

<b>Hardware E</b>				
<b>Part name</b>	<b>Description</b>	<b>Photos</b>	<b>Q'ty</b>	<b>Grainger Model #</b>
Hex Screw (Partially Threaded)	3/8" x 5-1/2"		6	1KA62



## ✚ Installations for WB-6065 (2 booths side by side).

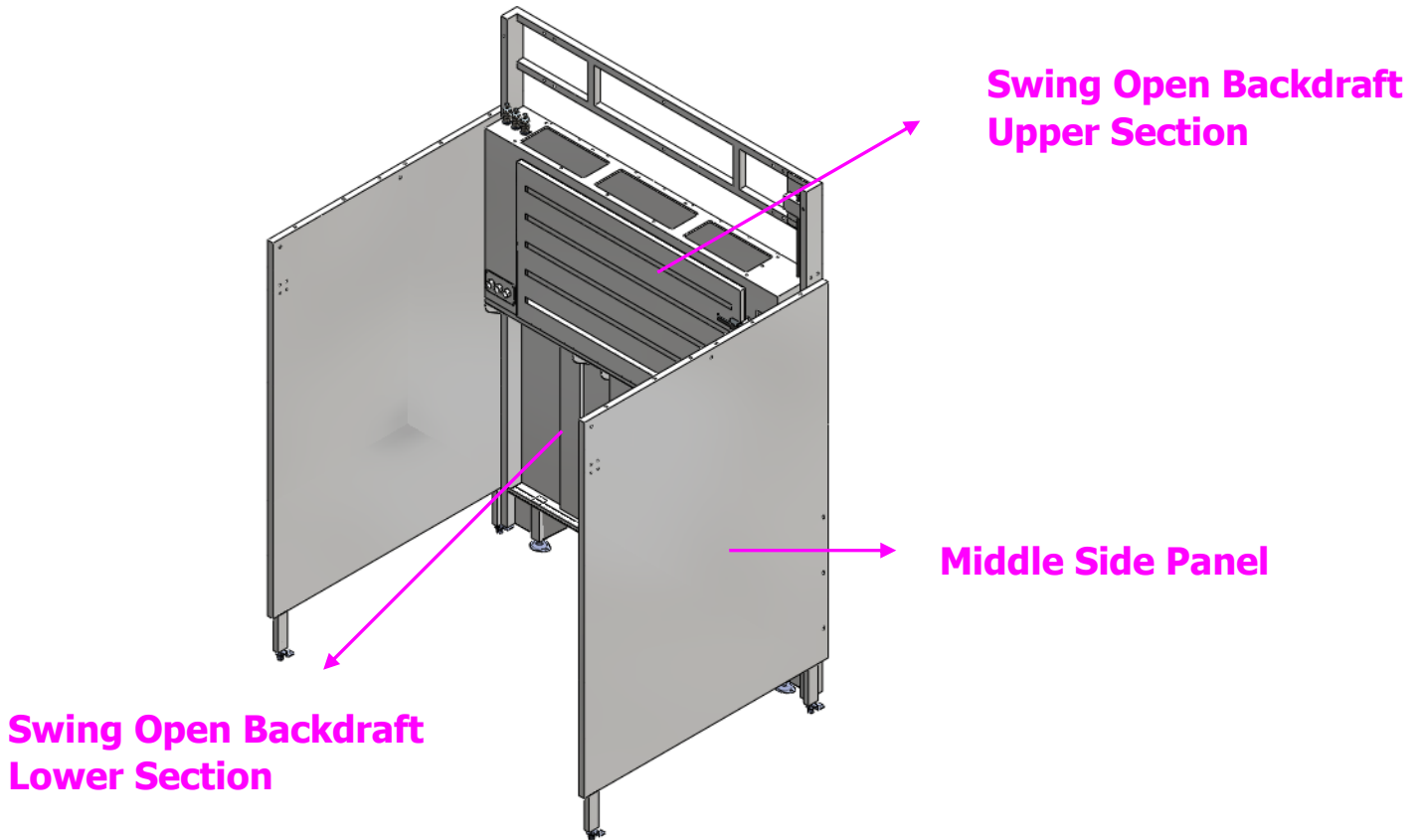
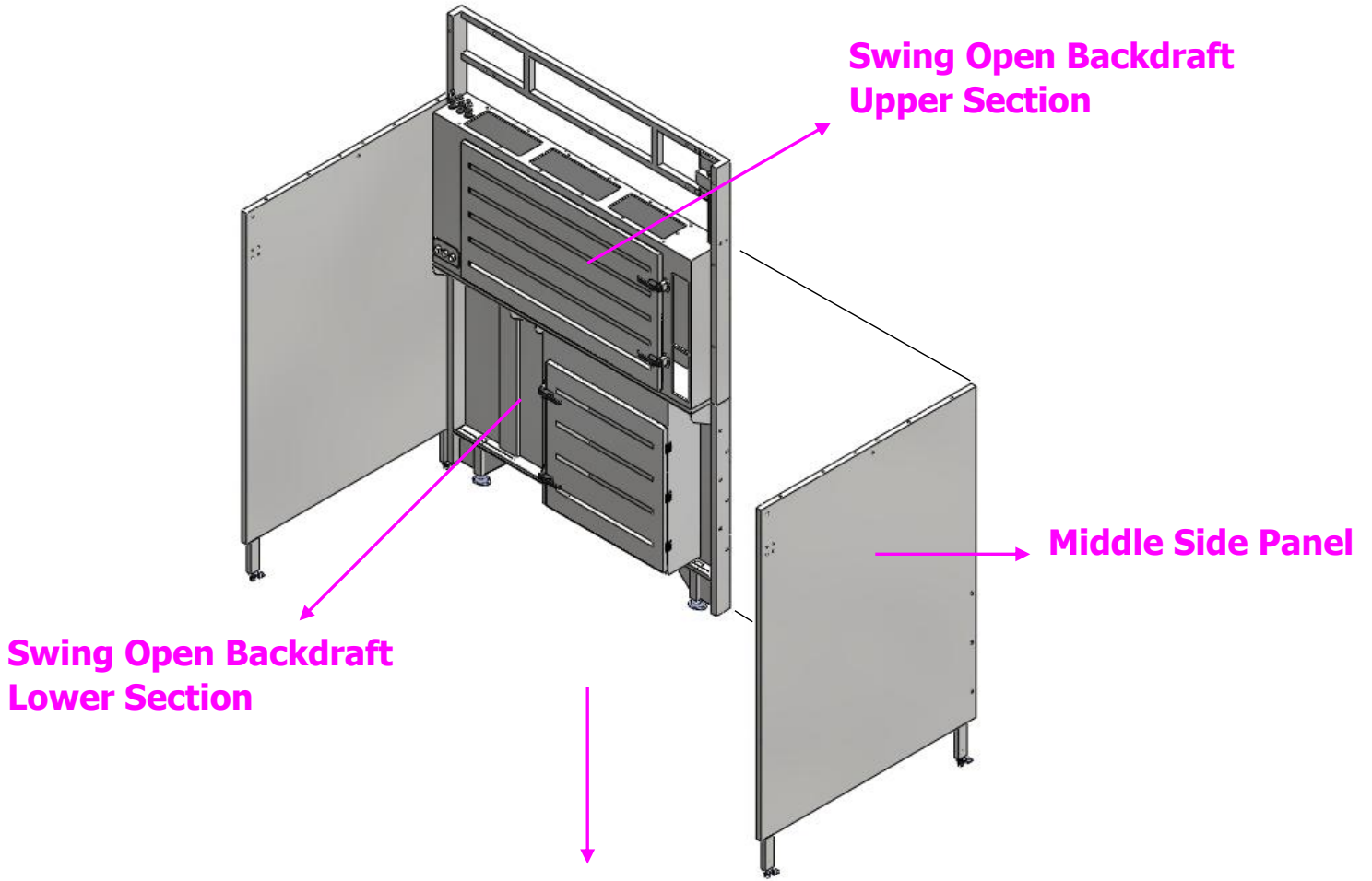
Flat Washer	3/8" x OD23 x 2T		12	*1JY33
Nylon Hex Nut	3/8"		6	3HDU4

(\*) Hardware item at similar spec available locally.

Ⓢ Note: do not completely tighten the hardware at this time.

After **Swing Open Backdraft Upper Section** and **Swing Open Backdraft Lower Section** are in position, ensure all holes patterns match. Then, proceed to fasten.

# Installations for WB-6065 (2 booths side by side).



## ✚ Installations for WB-6065 (2 booths side by side).

- Take out **Swing Open Backdraft Upper Section** and **Swing Open Backdraft Lower Section**.
- Join **Swing Open Backdraft Upper Section** and **Swing Open Backdraft Lower Section** together with:

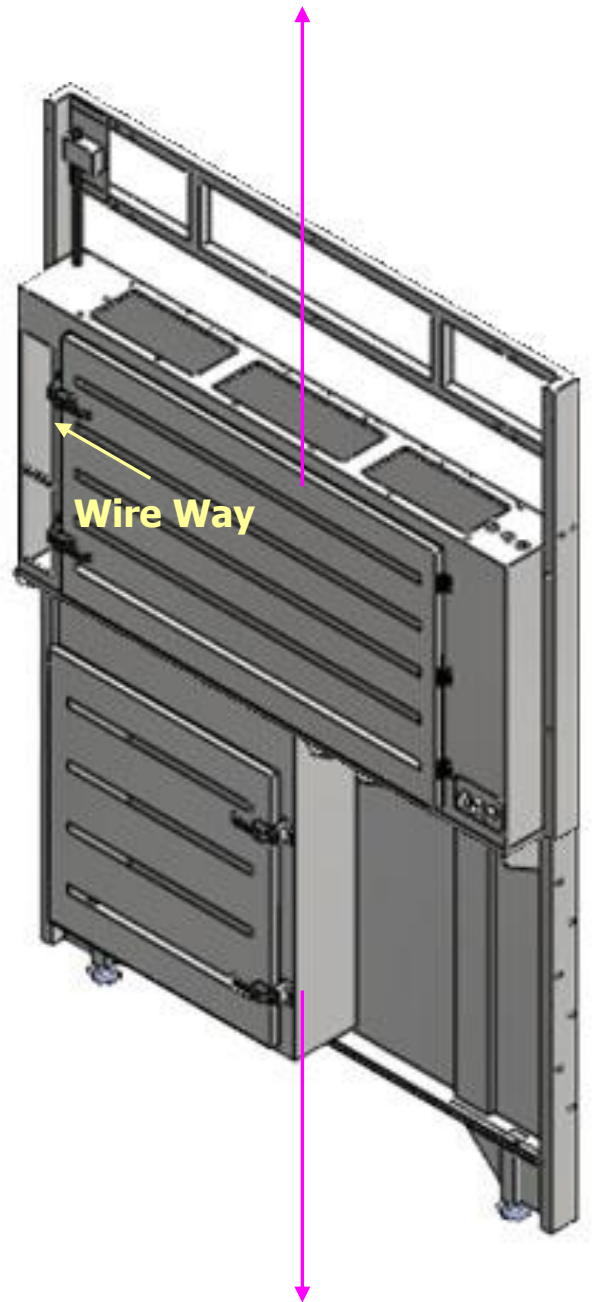
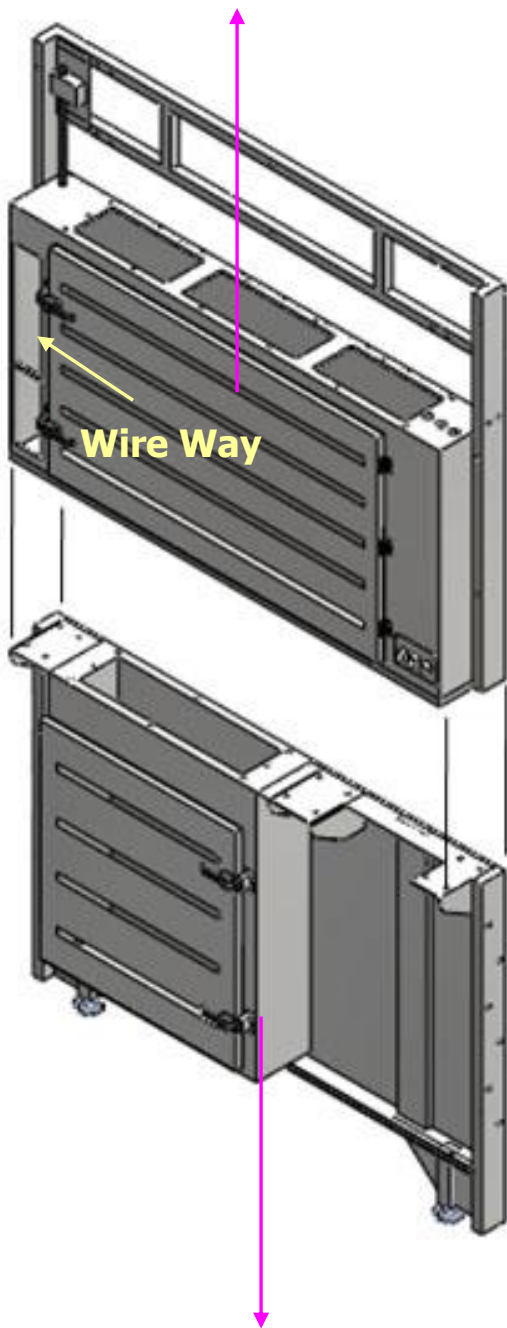
● Hardware I				
Part name	Description	Photos	Q'ty	Grainger Model #
Hex Screw	5/16" x 3/4"		20	1YU33
Flat Washer	5/16" x OD23 x 2t		40	*1JY31
Hex Nut	5/16"		20	2FE51

(\* Hardware item at similar spec available locally.

# Installations for WB-6065 (2 booths side by side).

Swing Open Backdraft Upper Section

Swing Open Backdraft Upper Section



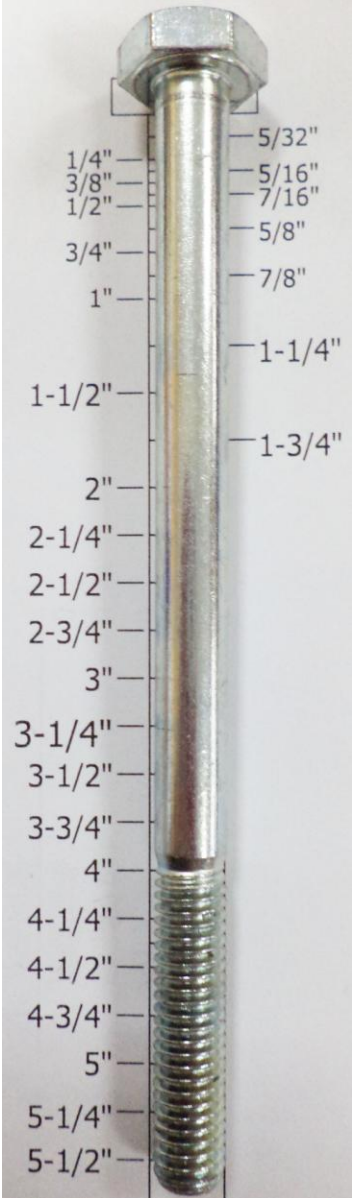
Swing Open Backdraft Lower Section

Swing Open Backdraft Lower Section

Ⓢ Note: the wire way on left side.

## ✦ Installations for WB-6065 (2 booths side by side).

- Fasten **Swing Open Backdraft Upper Section** and **Swing Open Backdraft Lower Section** to **Middle Side Panel** together with:

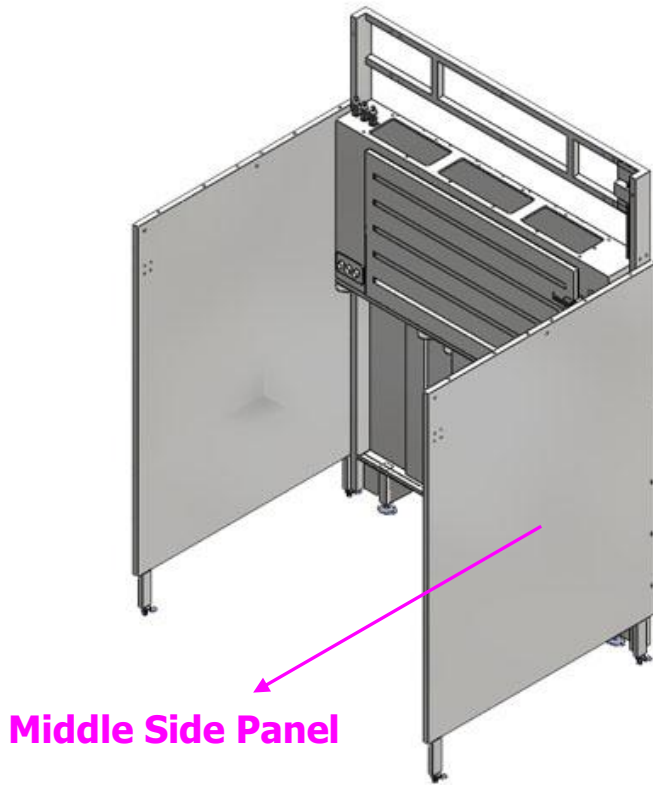
<b>Hardware E</b>				
<b>Part name</b>	<b>Description</b>	<b>Photos</b>	<b>Q'ty</b>	<b>Grainger Model #</b>
Hex Screw (Partially Threaded)	3/8" x 5-1/2"		6	1KA62

**✚ Installations for WB-6065 (2 booths side by side).**

Flat Washer	3/8" x OD23 x 2T		12	*1JY33
Nylon Hex Nut	3/8"		6	3HDU4

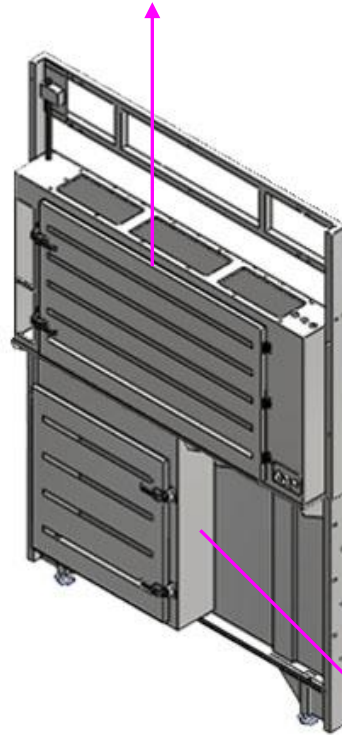
**(\*) Hardware item at similar spec available locally.**

**✦ Installations for WB-6065 (2 booths side by side).**

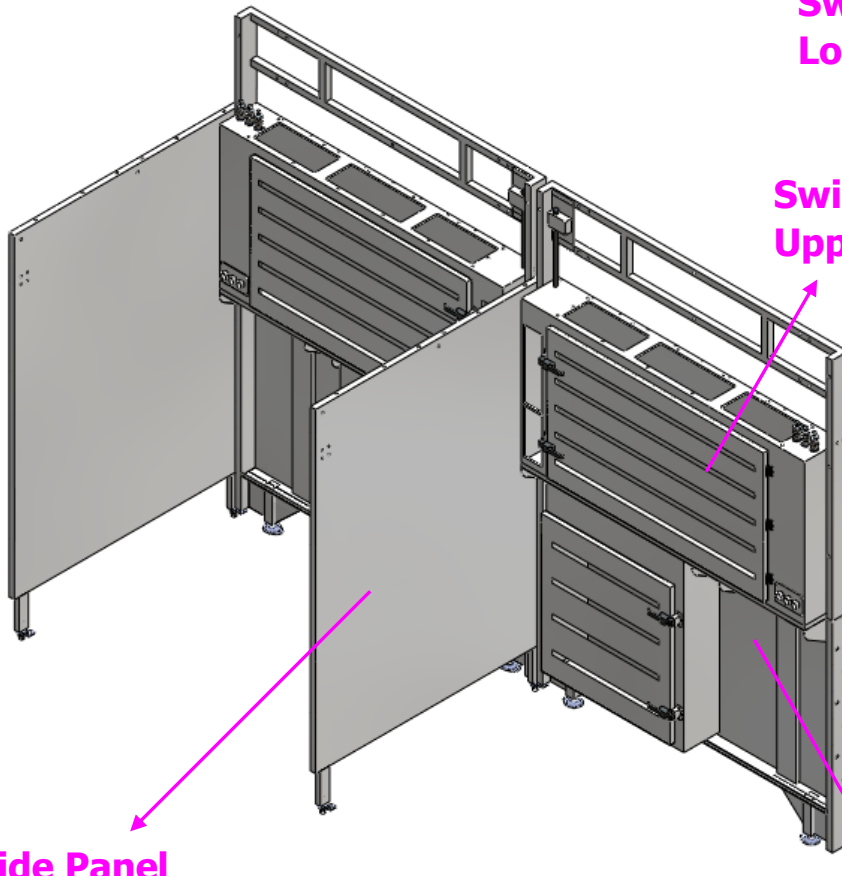


**Middle Side Panel**

**Swing Open Backdraft Upper Section**



**Swing Open Backdraft Lower Section**



**Middle Side Panel**

**Swing Open Backdraft Lower Section**

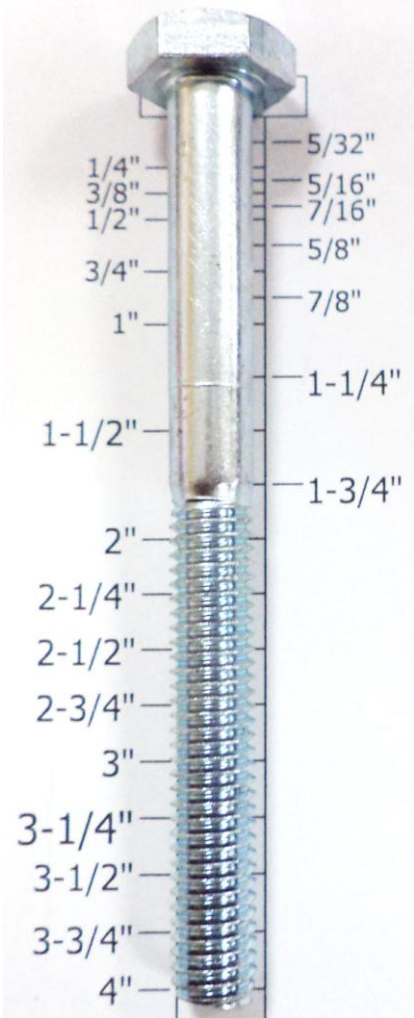


## ✦ Installations for WB-6065 (2 booths side by side).

- Take out **Right Side Panel**.
- Fasten **Right Side Panel** to and **Swing Open Backdraft**

**Upper Section** and **Swing Open Backdraft Lower**

**Section** together with:

Hardware C				
Part name	Description	Photos	Q'ty	Grainger Model #
Hex Screw (Partially Threaded)	3/8" x 4"		6	1KA62

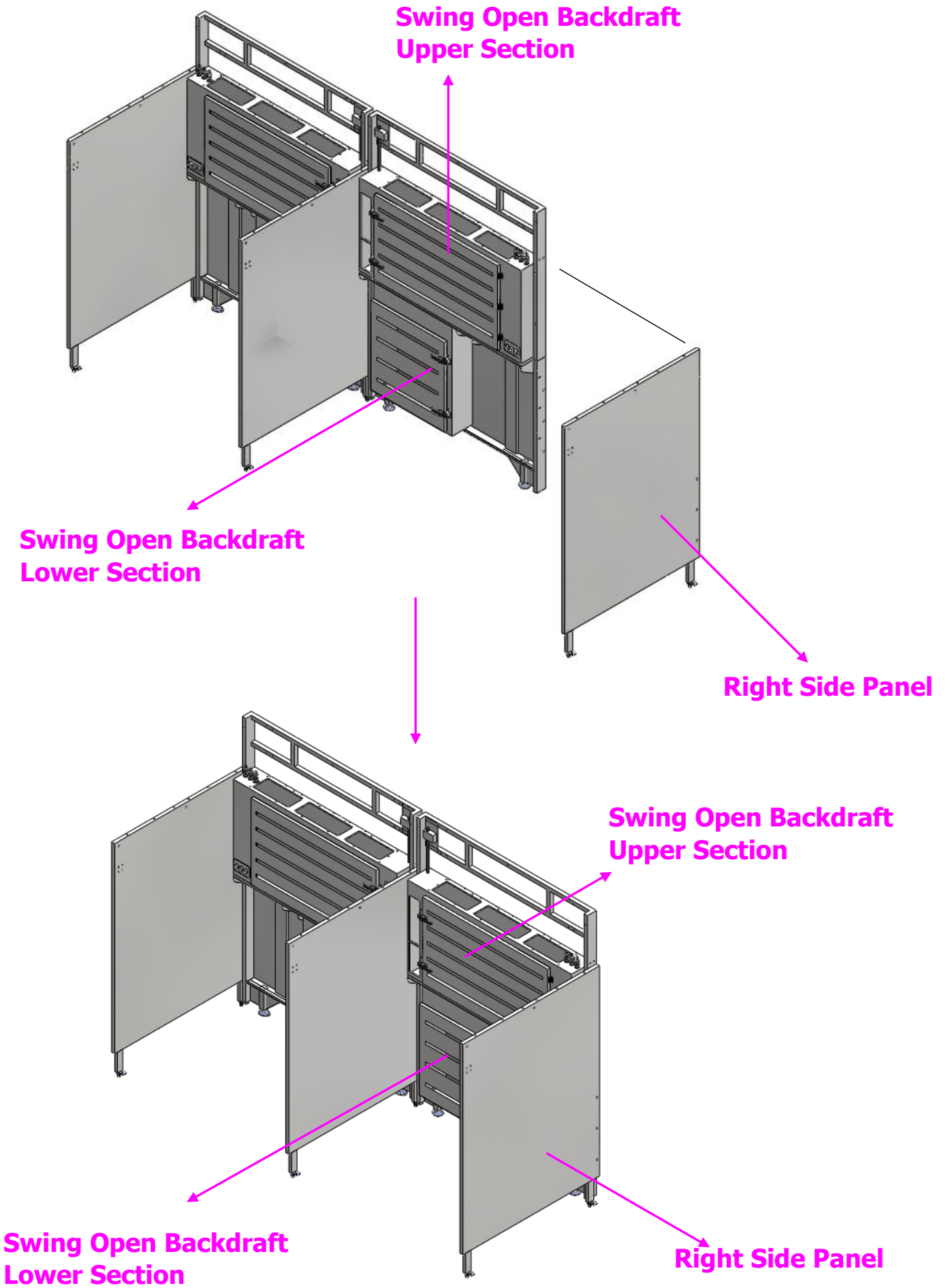


**✚ Installations for WB-6065 (2 booths side by side).**

Flat Washer	3/8" x OD23 x 2T		12	*1JY33
Nylon Hex Nut	3/8"		6	3HDU4



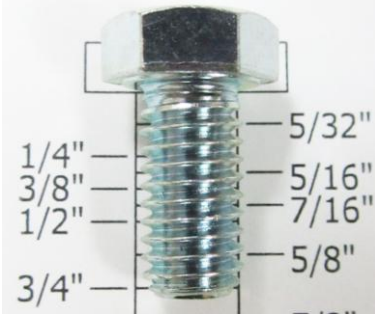

**(\*) Hardware item at similar spec available locally.**

# ✦ Installations for WB-6065 (2 booths side by side).



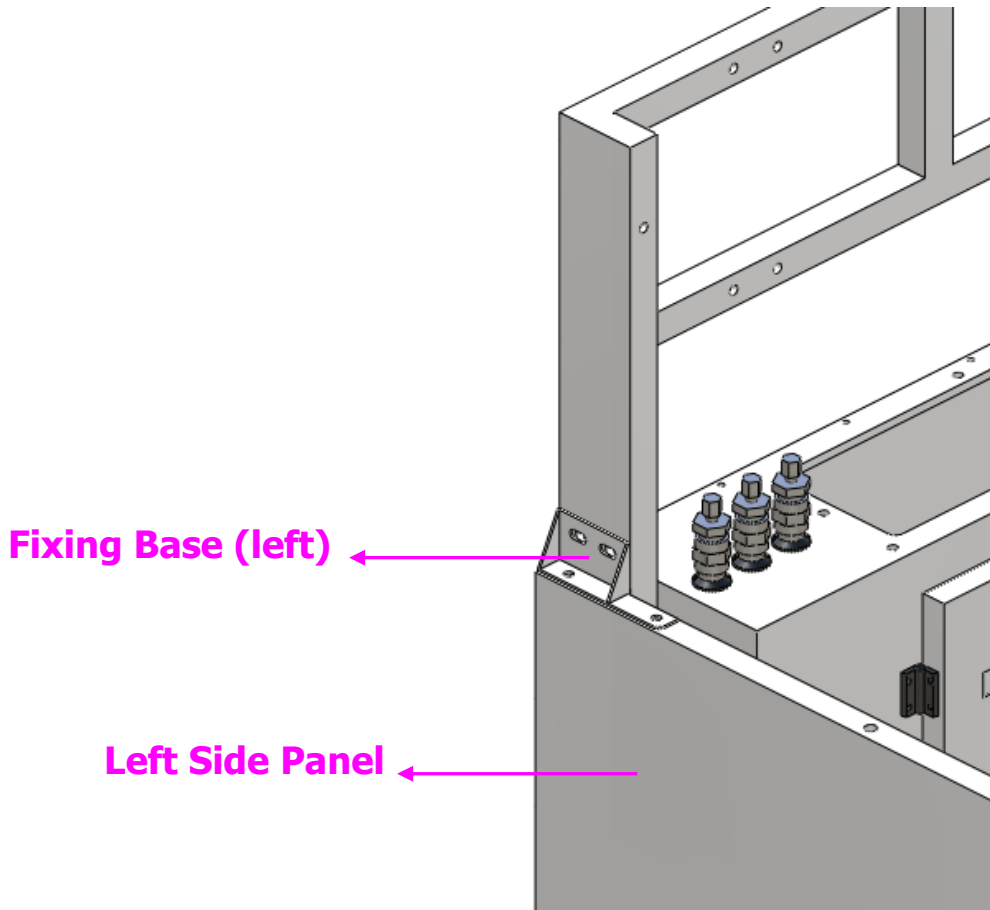
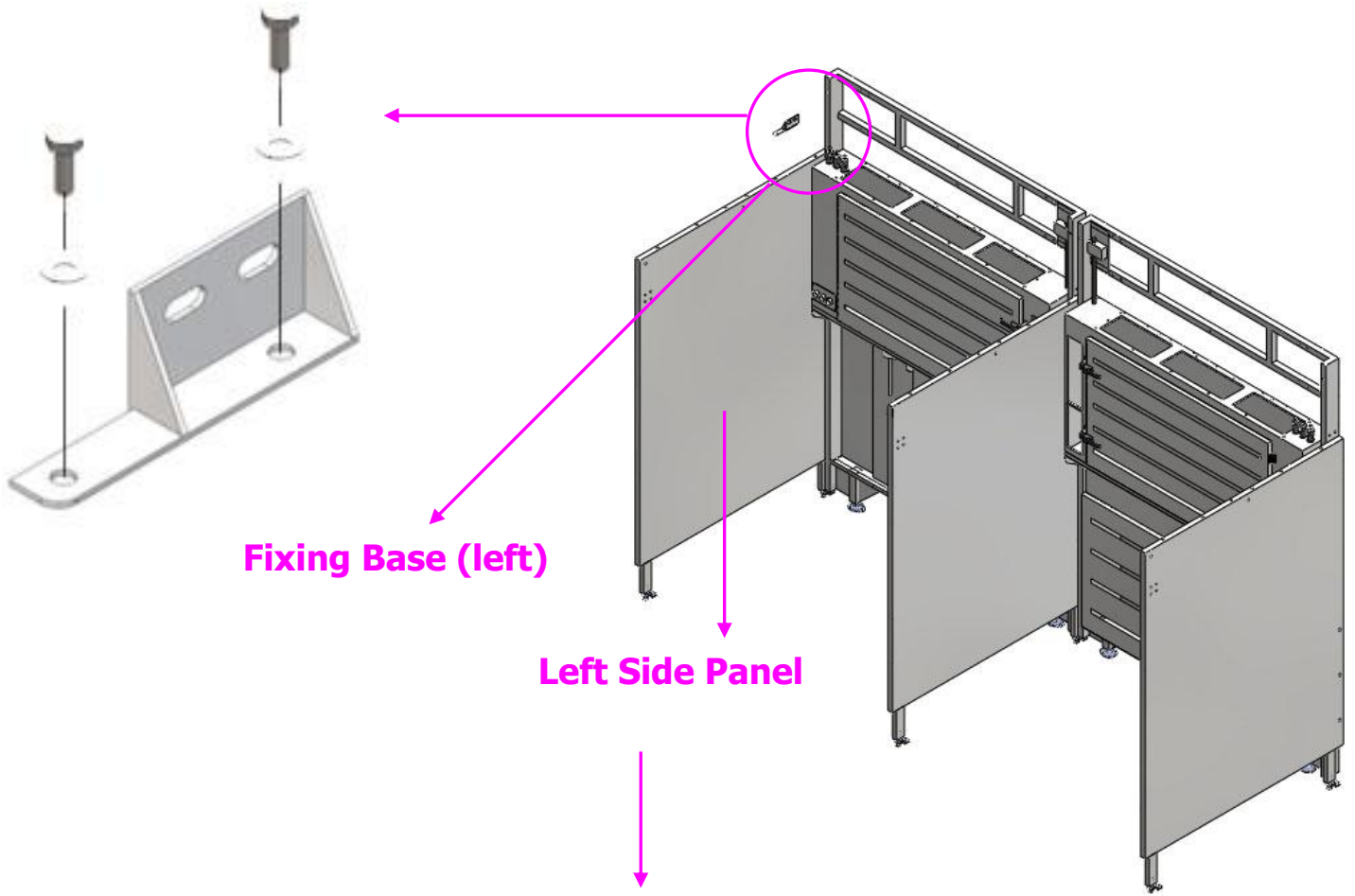
## ✚ Installations for WB-6065 (2 booths side by side).

- Take out **Fixing Base (left)**.
- Fasten **Fixing Base (left)** to **Left Side Panel** with:

Hardware A				
Part name	Description	Photos	Q'ty	Grainger Model #
Hex Screw	5/16" x 3/4"		1	1YU33
Flat Washer	5/16" x OD23 x 2t		1	*1JY31
Hex Screw	3/8" x 3/4"		1	1YU42
Flat Washer	3/8" x OD23 x 2T		1	*1JY33

(\* Hardware item at similar spec available locally.




# ✦ Installations for WB-6065 (2 booths side by side).



## ✦ Installations for WB-6065 (2 booths side by side).

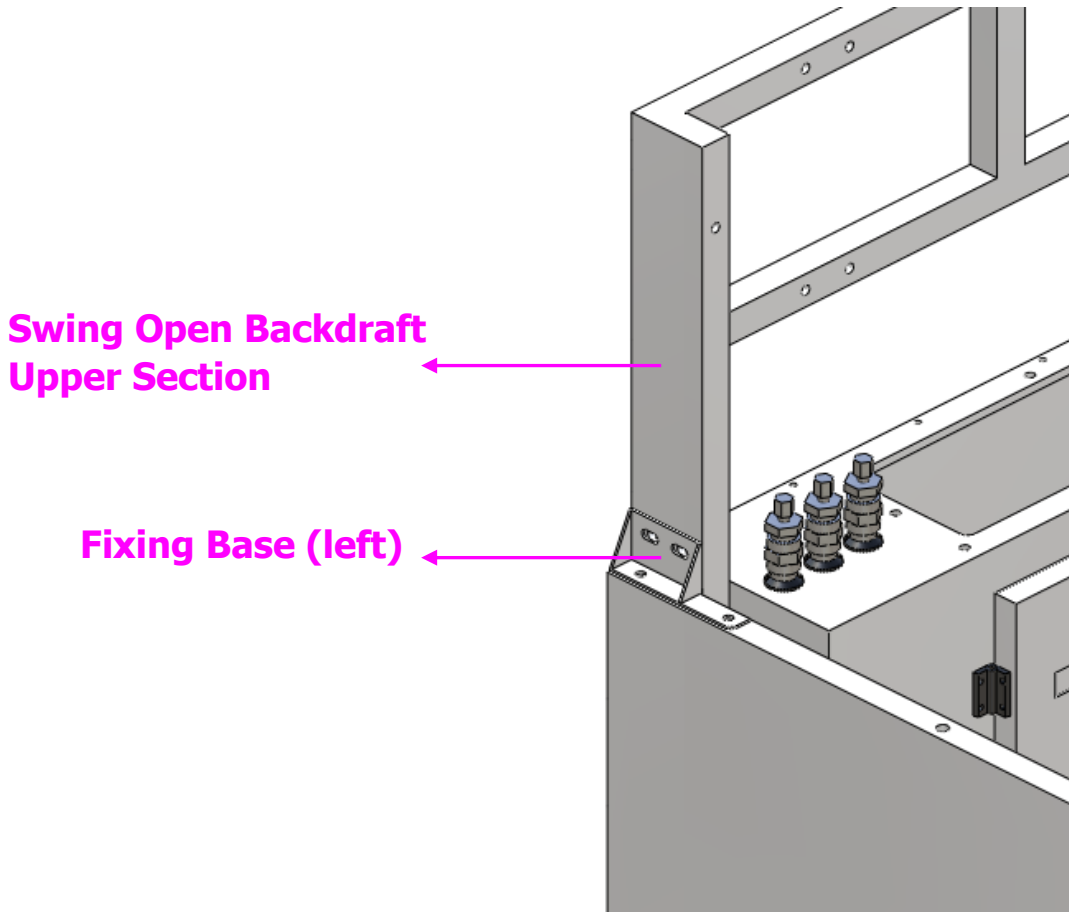
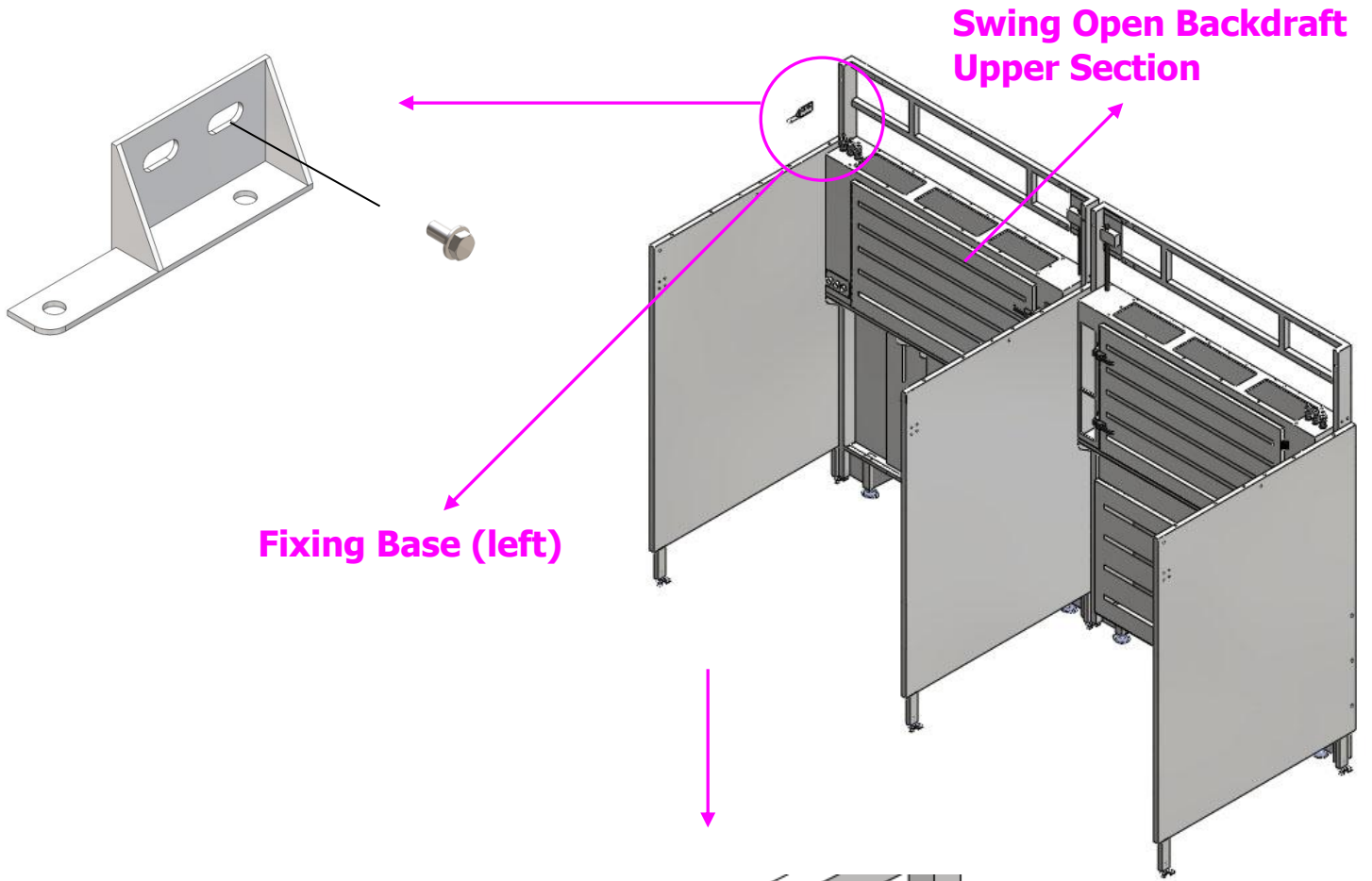
- Fasten **Fixing Base (left)** to **Swing Open Backdraft**

**Upper Section** with:

<b>Hardware A</b>				
<b>Part name</b>	<b>Description</b>	<b>Photos</b>	<b>Q'ty</b>	<b>Grainger Model #</b>
Hex Screw	3/8" x 2-1/2"		2	1YU47
Flat Washer	3/8" x OD23 x 2T		4	*1JY33
Nylon Hex Nut	3/8"		2	3HDU4



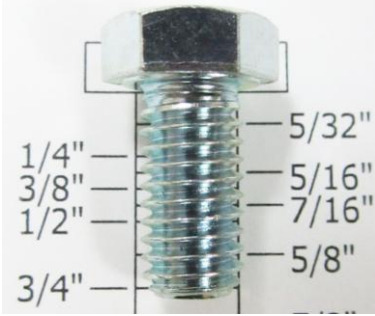

(\* Hardware item at similar spec available locally.

# Installations for WB-6065 (2 booths side by side).



## ✚ Installations for WB-6065 (2 booths side by side).

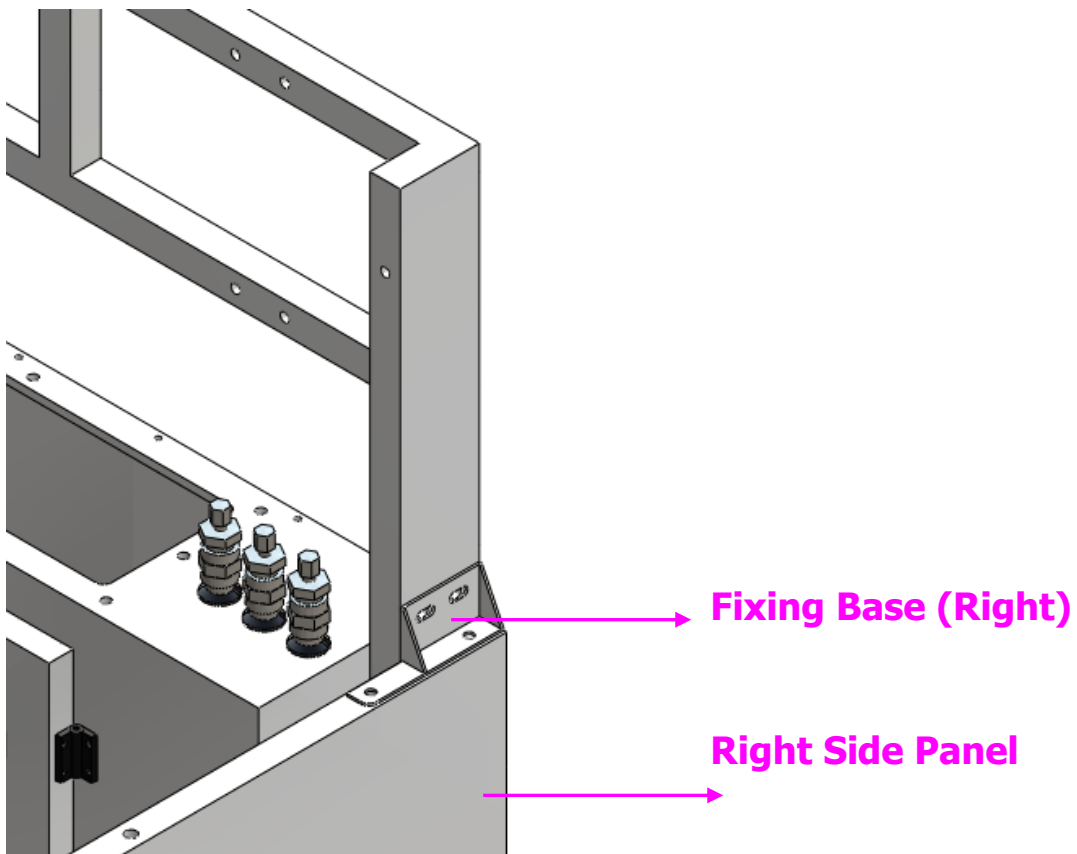
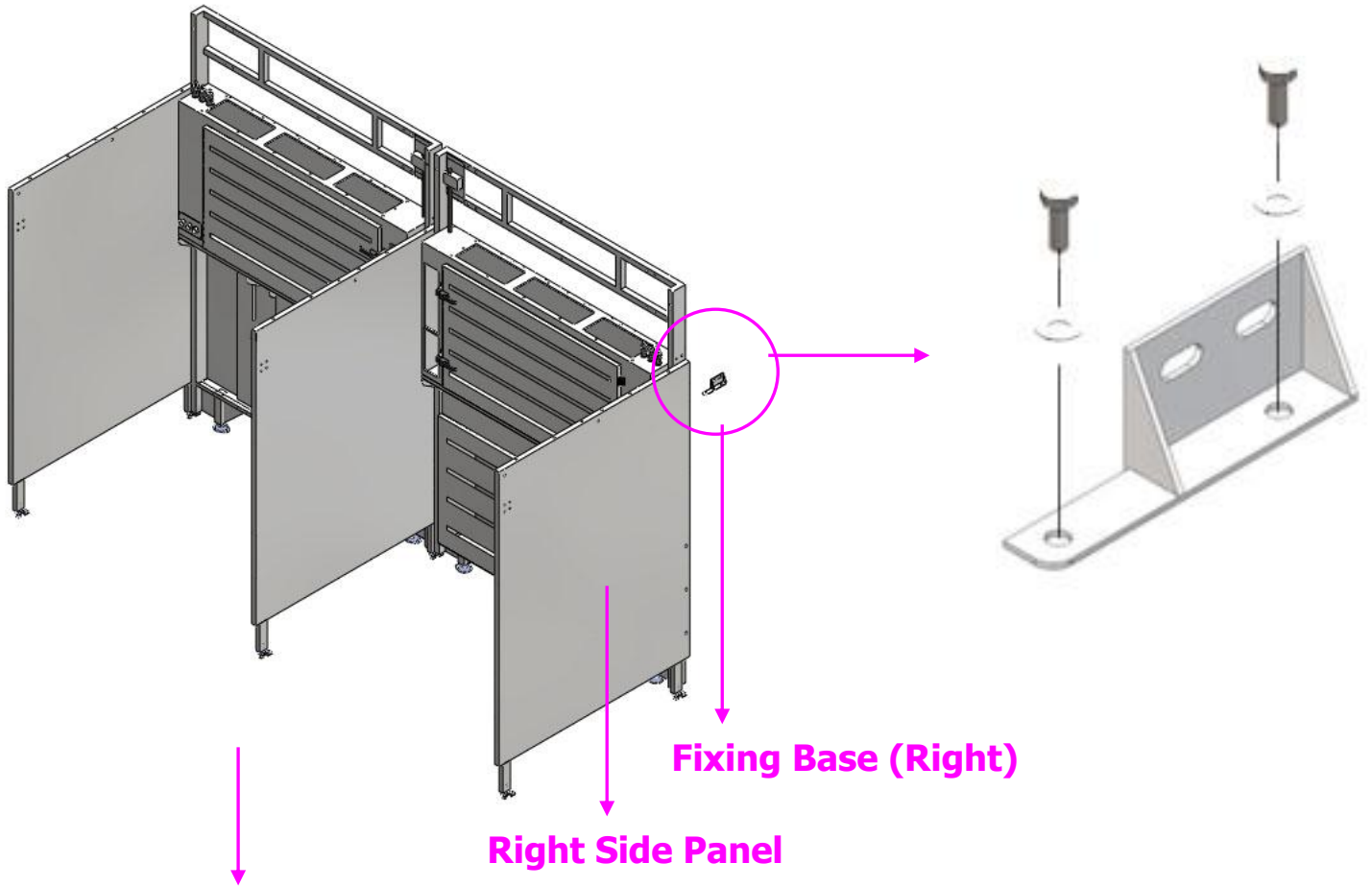
- Take out **Fixing Base (Right)**.
- Fasten **Fixing Base (Right)** to **Right Side Panel** with:

<b>Hardware B</b>				
<b>Part name</b>	<b>Description</b>	<b>Photos</b>	<b>Q'ty</b>	<b>Grainger Model #</b>
Hex Screw	5/16" x 3/4"		1	1YU33
Flat Washer	5/16" x OD23 x 2t		1	*1JY31
Hex Screw	3/8" x 3/4"		1	1YU42
Flat Washer	3/8" x OD23 x 2T		1	*1JY33

(\* Hardware item at similar spec available locally.



# ✦ Installations for WB-6065 (2 booths side by side).








## ✦ Installations for WB-6065 (2 booths side by side).

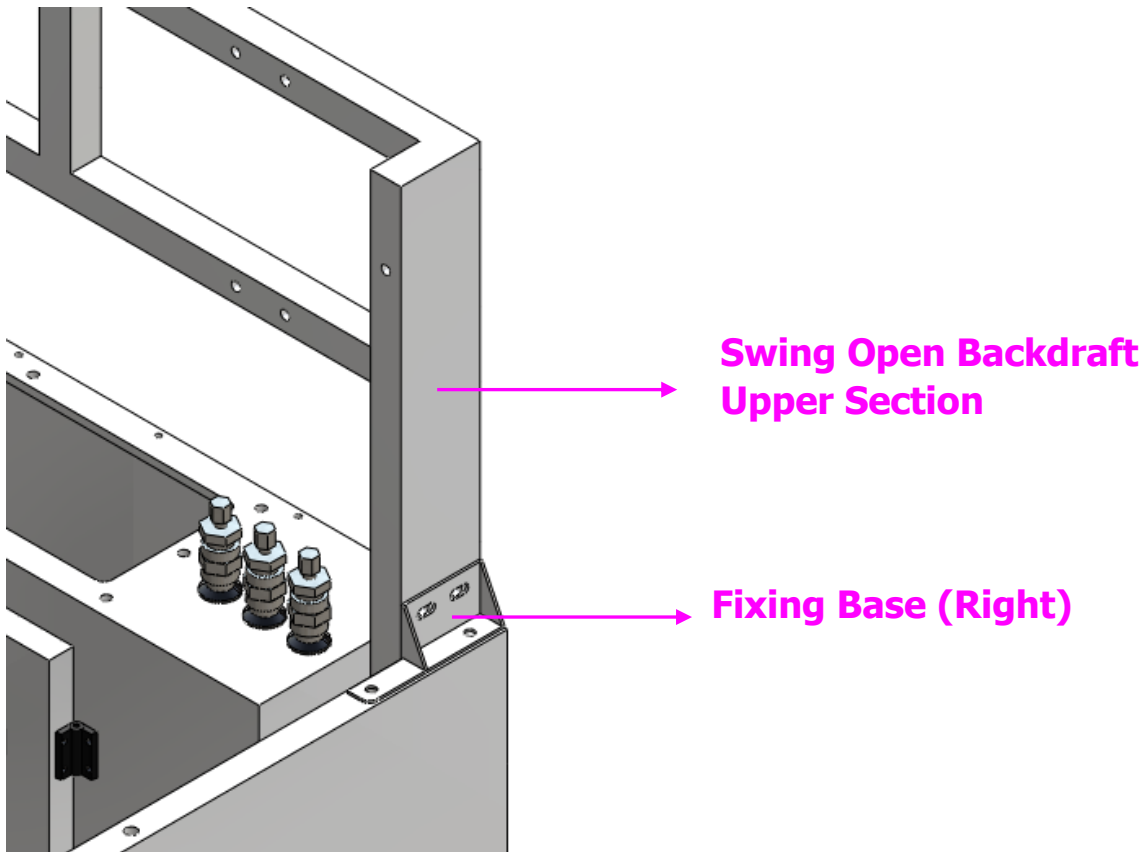
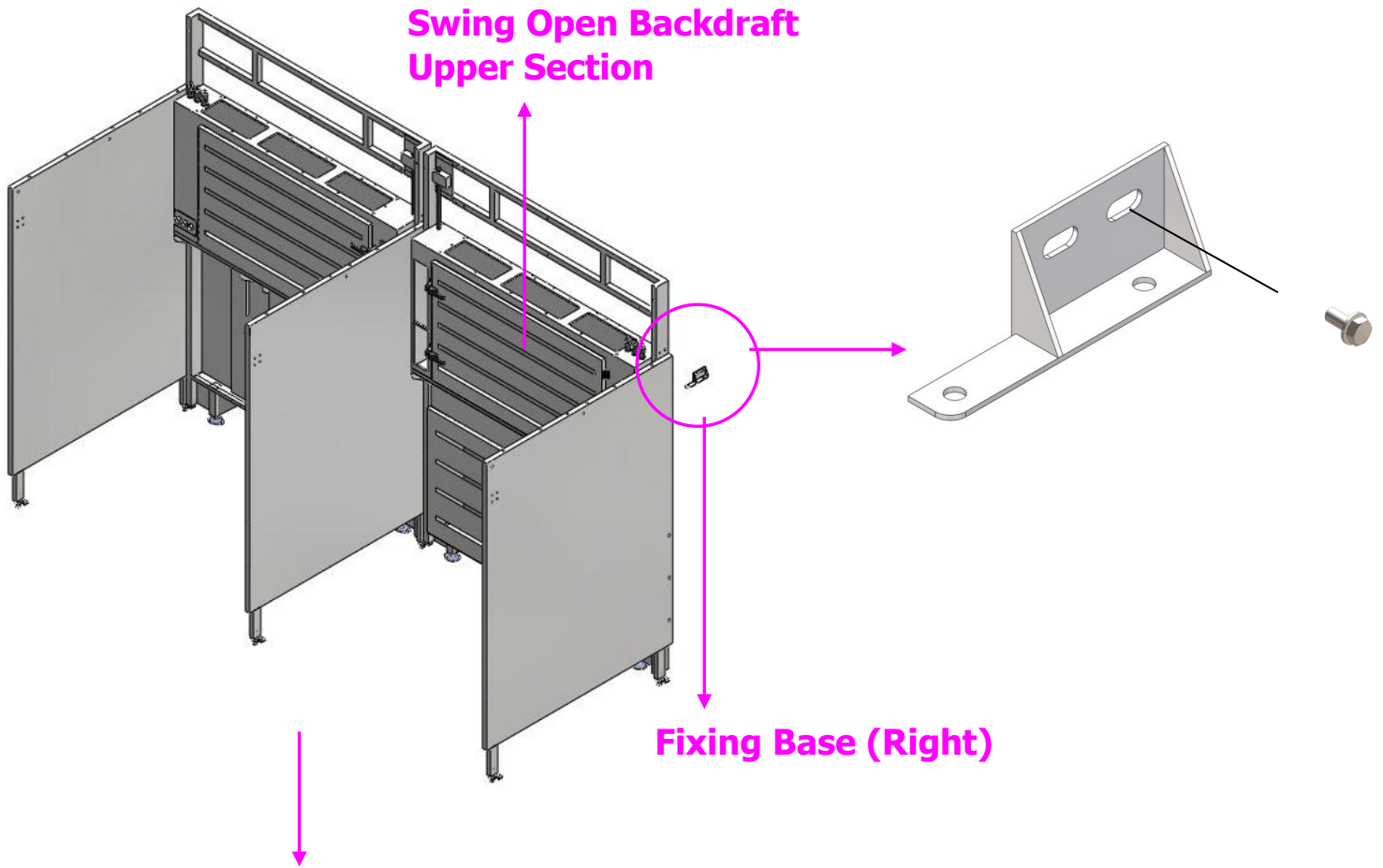
- Fasten **Fixing Base (Right)** to **Swing Open Backdraft**

**Upper Section** with:

<b>Hardware B</b>				
<b>Part name</b>	<b>Description</b>	<b>Photos</b>	<b>Q'ty</b>	<b>Grainger Model #</b>
Hex Screw	3/8" x 2-1/2"		2	1YU47
Flat Washer	3/8" x OD23 x 2T		4	*1JY33
Nylon Hex Nut	3/8"		2	3HDU4

(\* Hardware item at similar spec available locally.

# Installations for WB-6065 (2 booths side by side).



## ✦ Installations for WB-6065 (2 booths side by side).

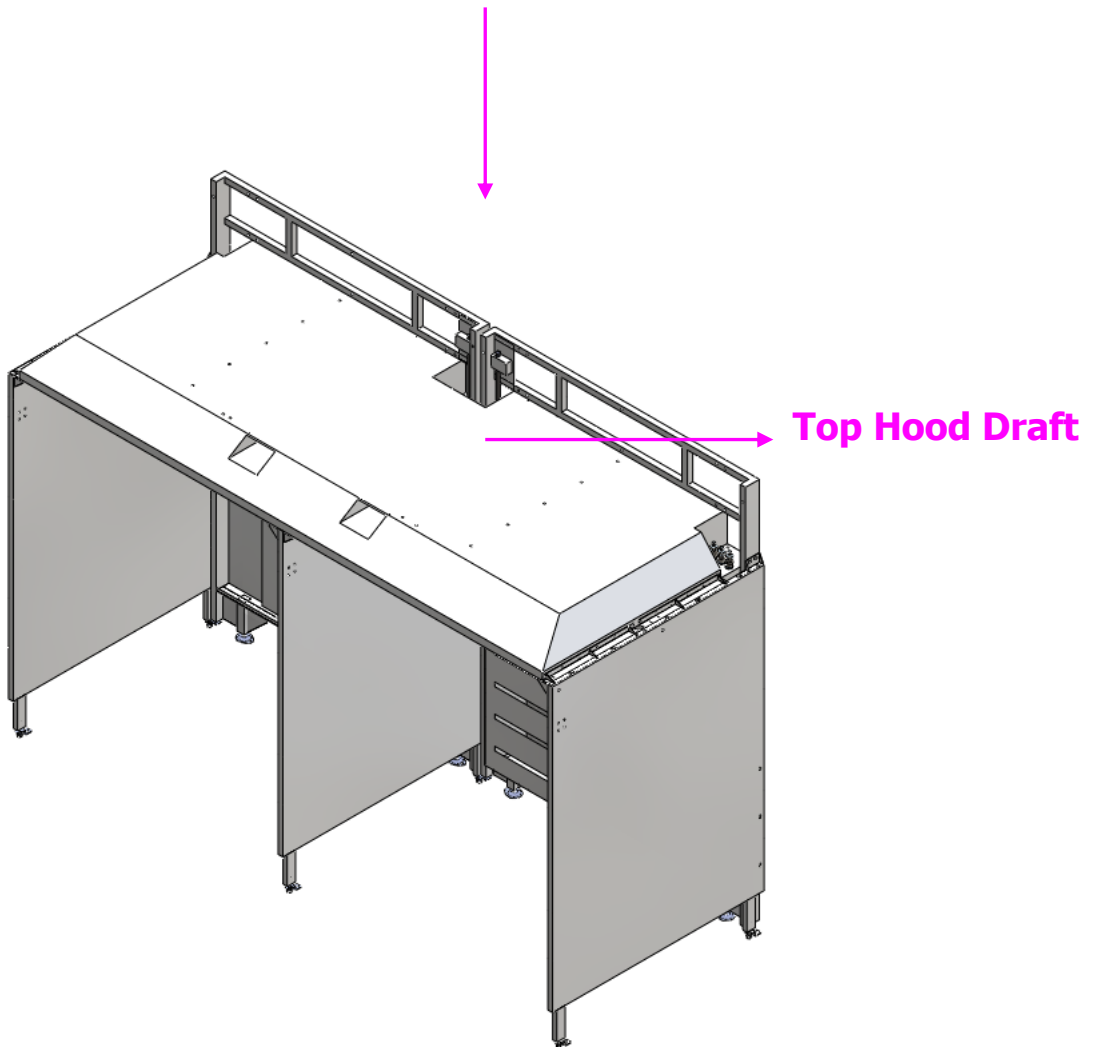
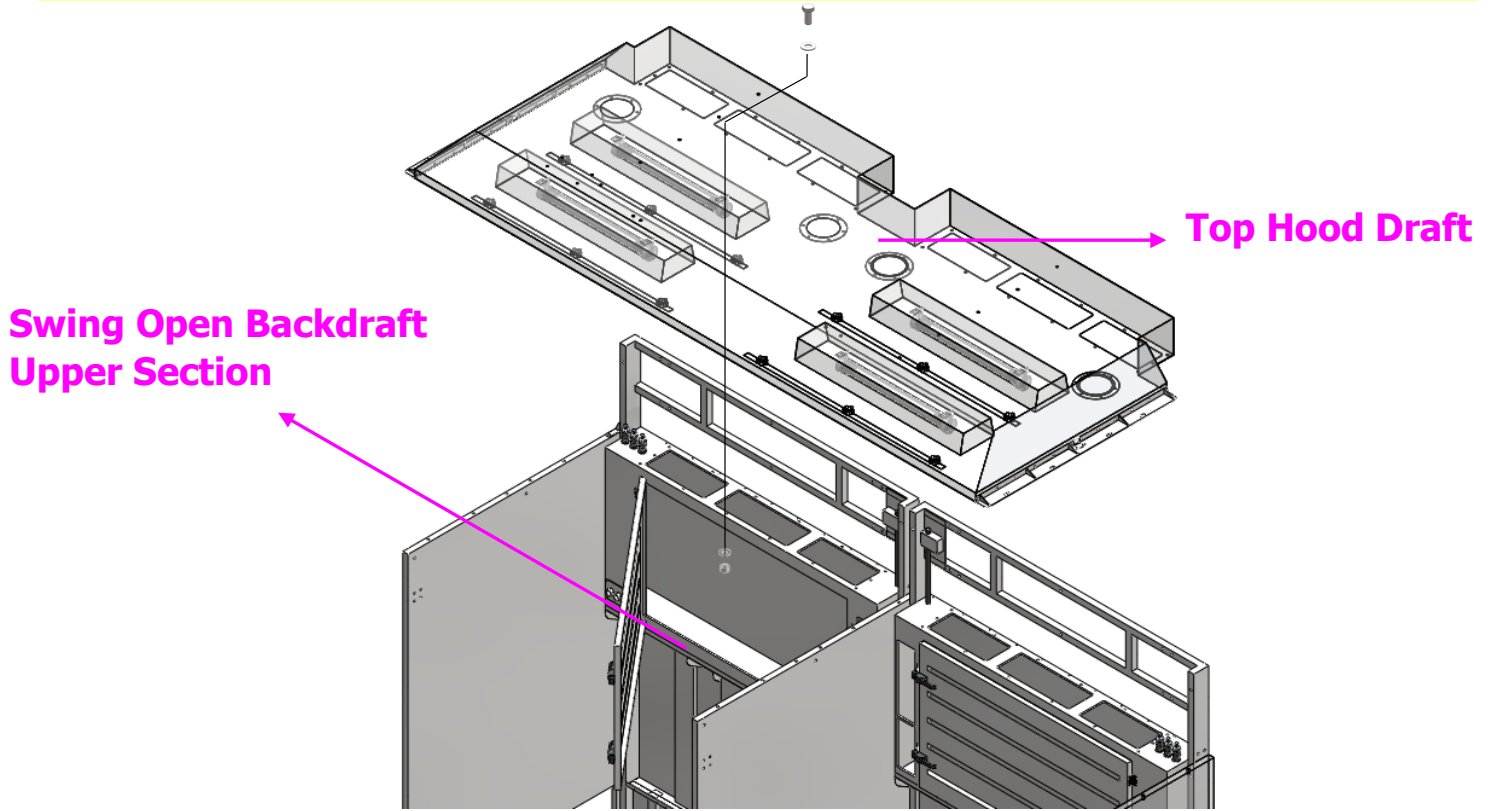
- Take out **Top Hood Draft**.
- Fasten **Top Hood Draft** to **Swing Open Backdraft**

**Upper Section** together with:

● <b>Hardware J</b>				
<b>Part name</b>	<b>Description</b>	<b>Photos</b>	<b>Q'ty</b>	<b>Grainger Model #</b>
Hex Screw	5/16" x 3/4"		42	1YU33
Flat Washer	5/16" x OD23 x 2t		70	*1JY31
Hex Nut	5/16"		28	2FE51



(\* Hardware item at similar spec available locally.

# Installations for WB-6065 (2 booths side by side).



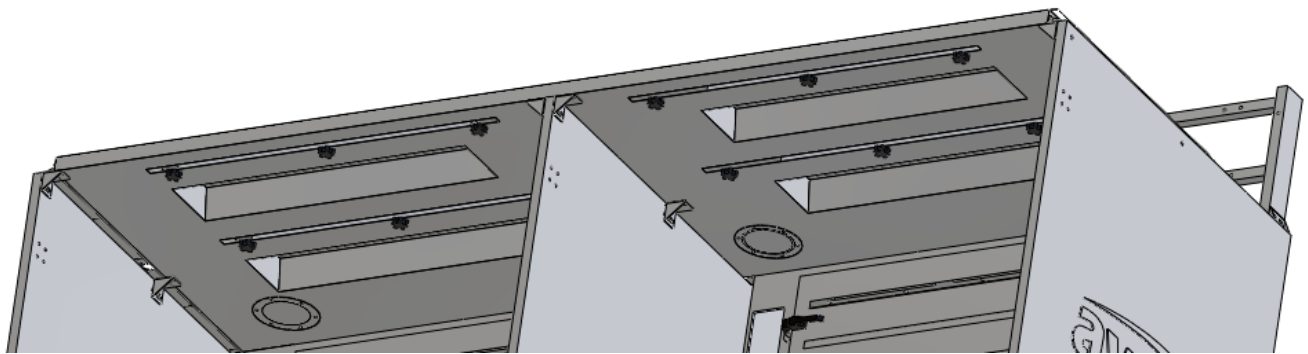
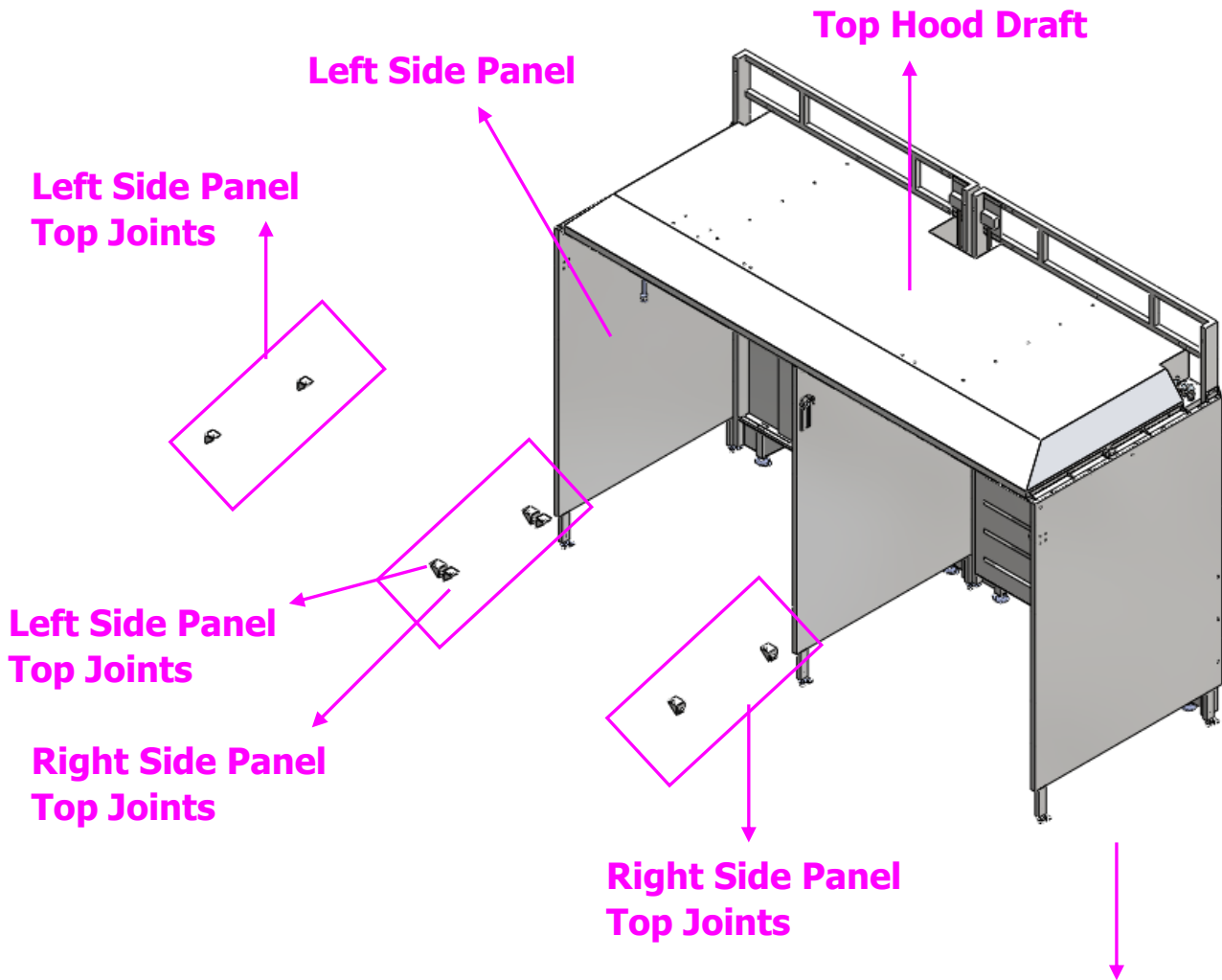
## ✦ Installations for WB-6065 (2 booths side by side).

- Take out **Left Side Panel Top Joints** and **Right Side Panel Top Joints**.
- Fasten **Left Side Panel Top Joints** and **Right Side Panel Top Joints** to **Left Side Panel, Middle Side Panel, Right Side Panel** and **Top Hood Draft** together with:

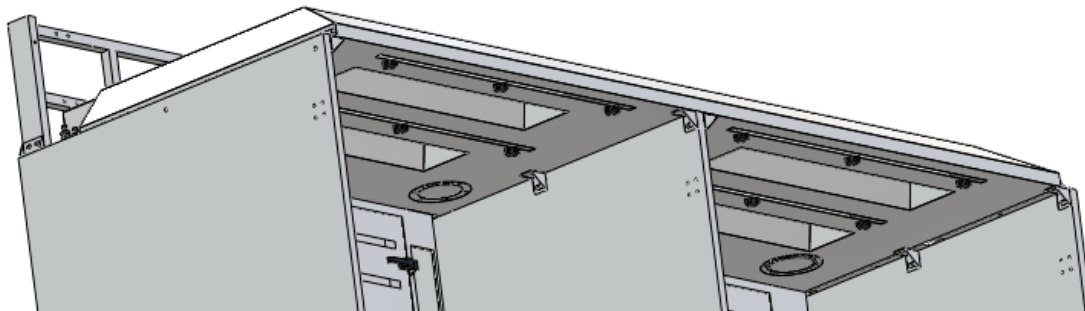
Hardware F and Hardware G				
Part name	Description	Photos	Q'ty	Grainger Model #
Hex Screw	5/16" x 3/4"		16	1YU33
Flat Washer	5/16" x OD23 x 2t		16	*1JY31

(\* Hardware item at similar spec available locally.

# ✦ Installations for WB-6065 (2 booths side by side).

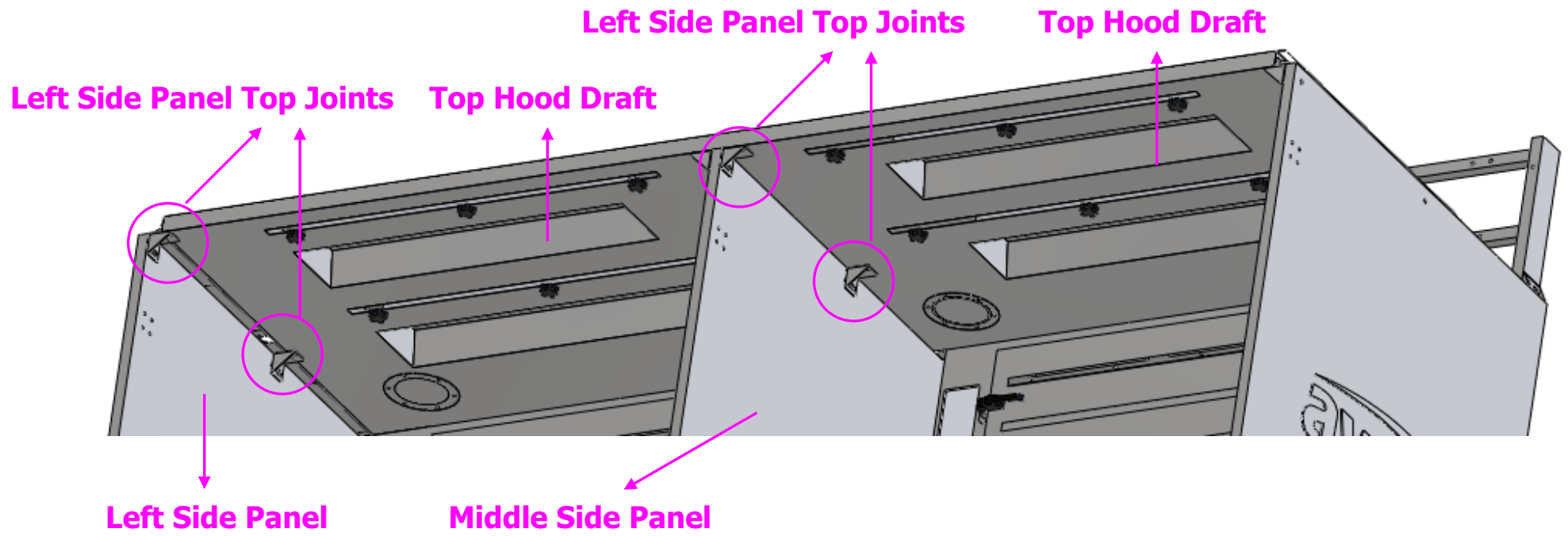


Page-31



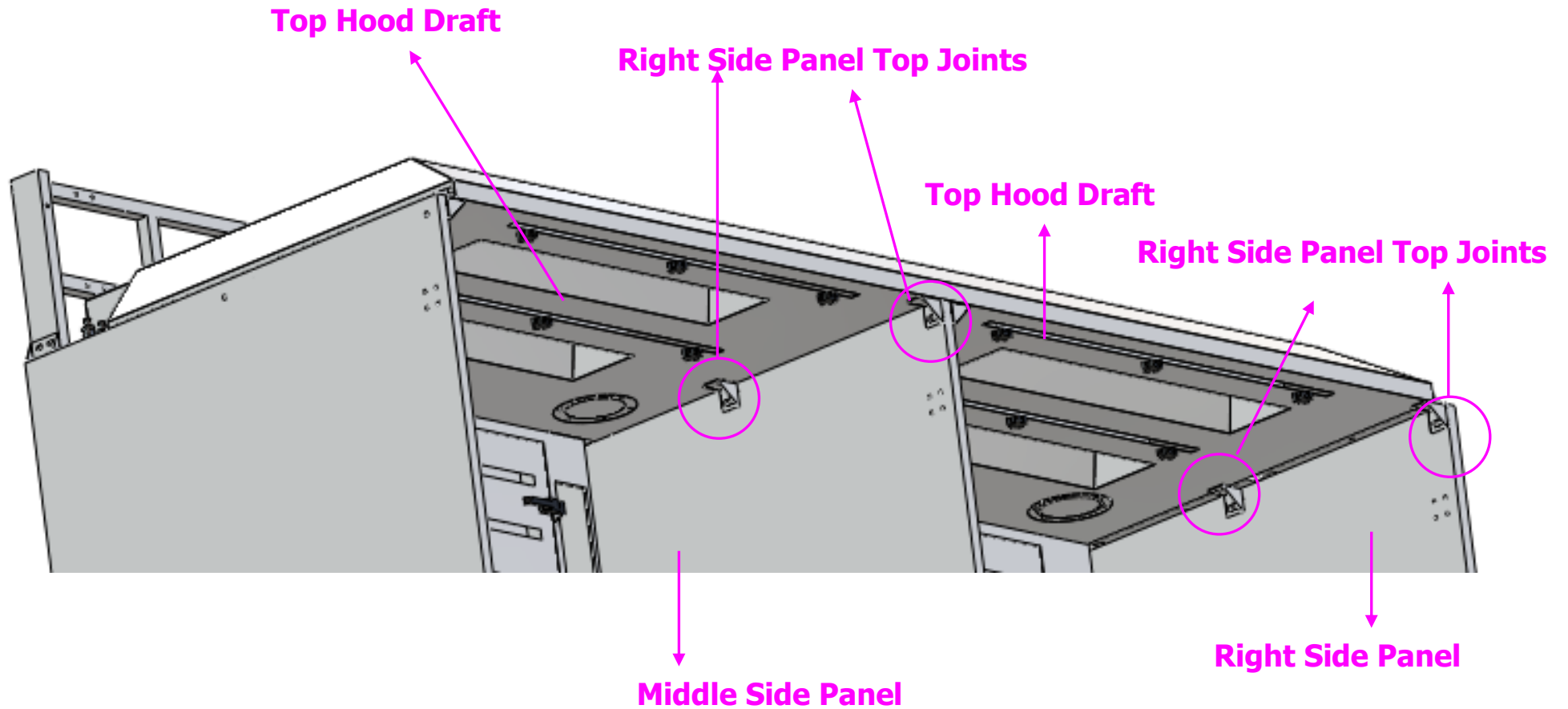
Page-32

**✦ Installations for WB-6065 (2 booths side by side).**





**✦ Installations for WB-6065 (2 booths side by side).**







## ✚ Installations for TMC-3-4.

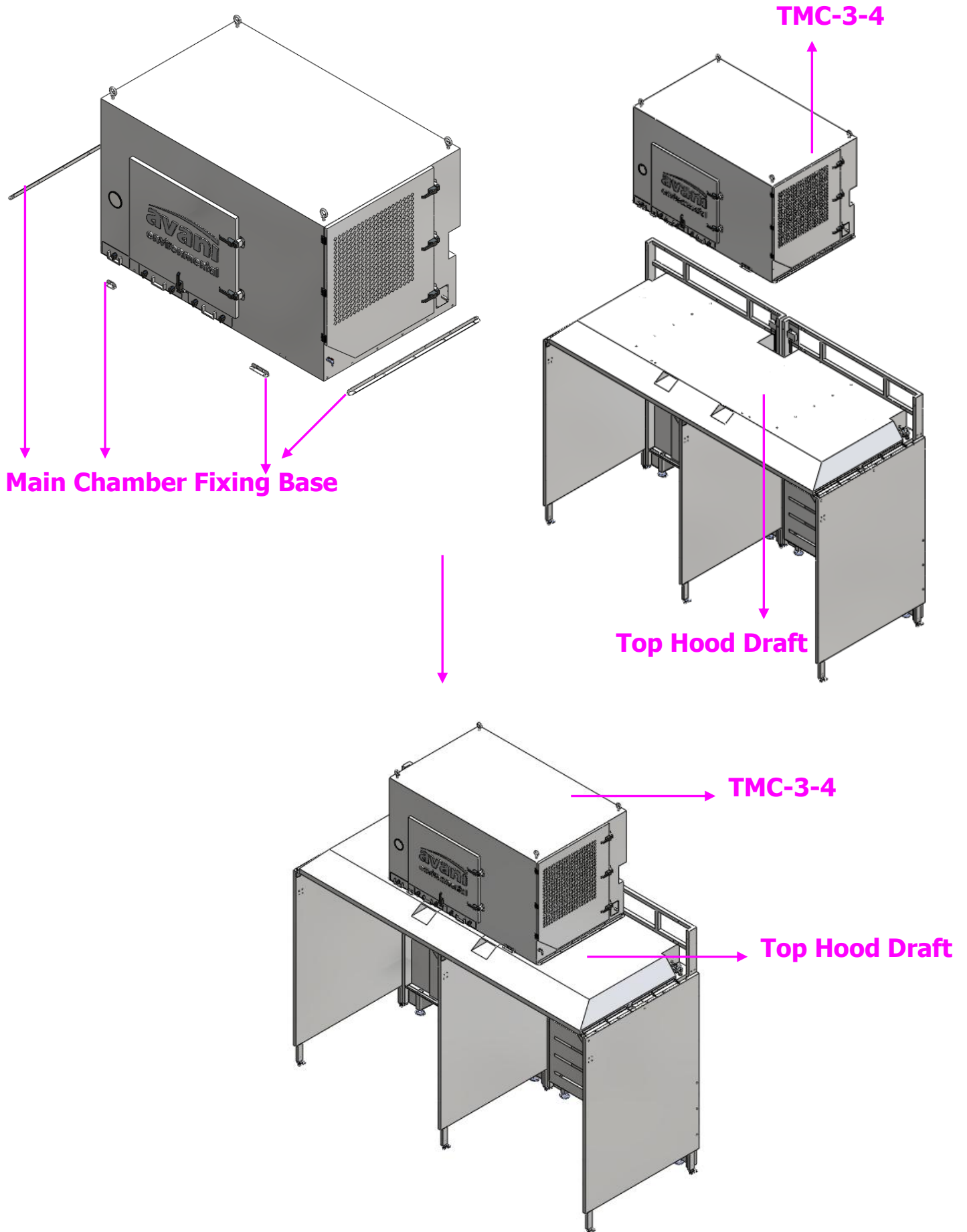
- Take out **TMC-3-4**
- Fasten **Main Chamber Fixing Base** to **Top Hood Draft**

together with:

<b>Hardware K</b>				
<b>Part name</b>	<b>Description</b>	<b>Photos</b>	<b>Q'ty</b>	<b>Grainger Model #</b>
Hex Screw	5/16" x 3/4"		17	1YU33
Flat Washer	5/16" x OD23 x 2t		17	*1JY31

**(\*) Hardware item at similar spec available locally.**

# Installations for TMC-3-4.



## ✦ Installations for WB-6065 (2 booths side by side).

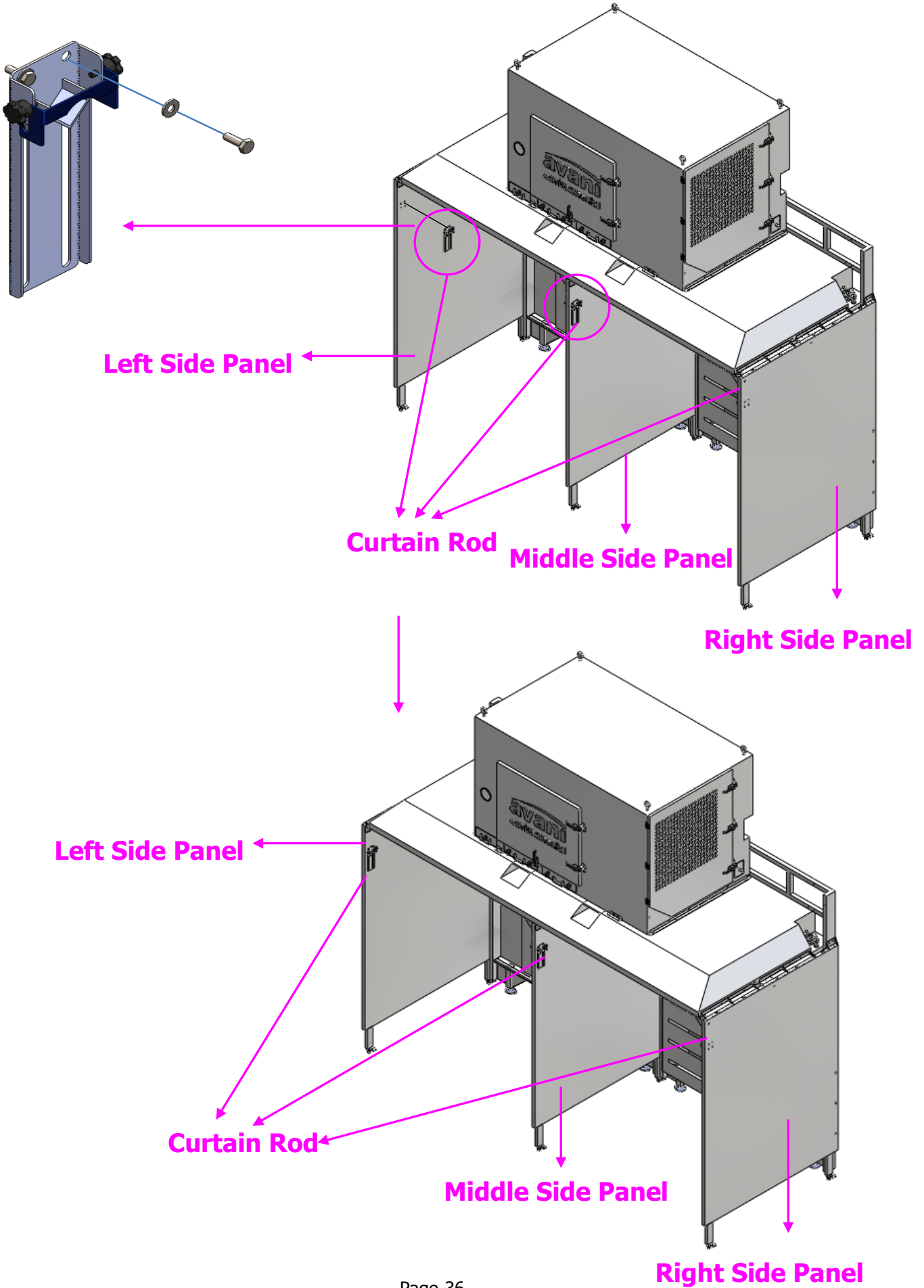
- Take out **Curtain Rod**
- Fasten **Curtain Rod** to **Left Side Panel, Middle Side**

**Panel** and **Right Side Panel** together with:

Hardware H				
Part name	Description	Photos	Q'ty	Grainger Model #
Hex Screw	1/4" x 3/4"		16	1UY24
Flat Washer	1/4" x OD19 X 2T		16	*1JY29



(\* Hardware item at similar spec available locally.

# Installations for WB-6065 (2 booths side by side).



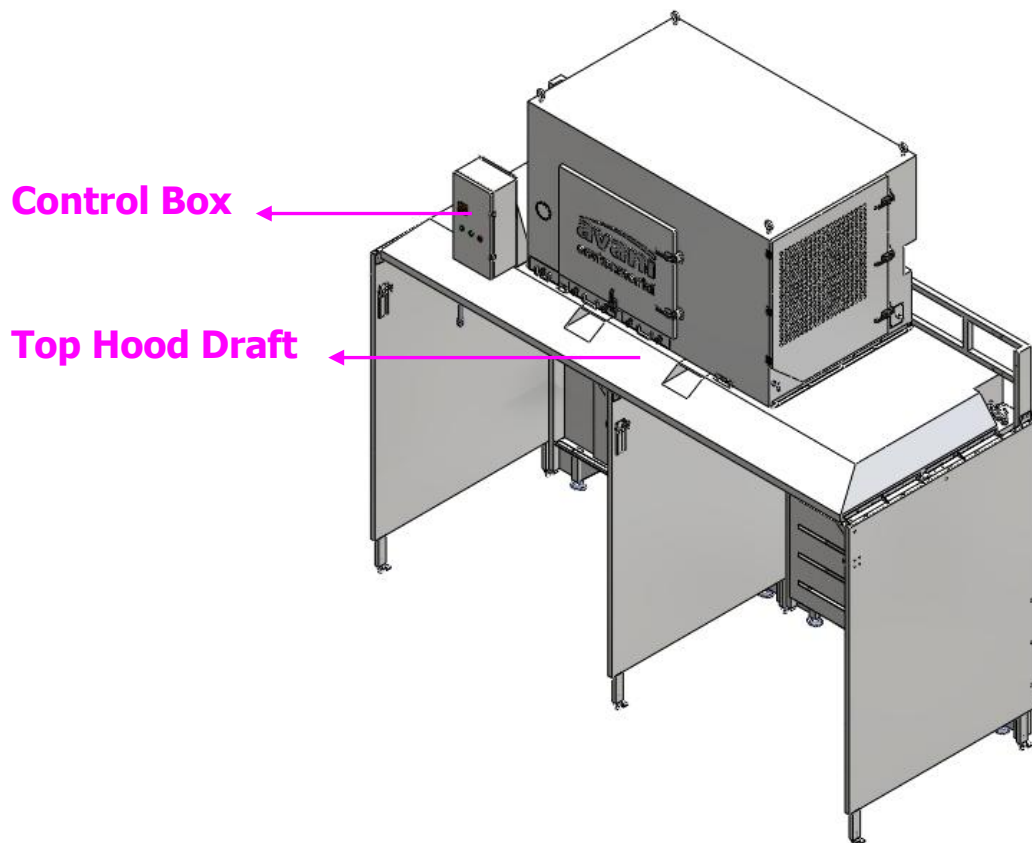
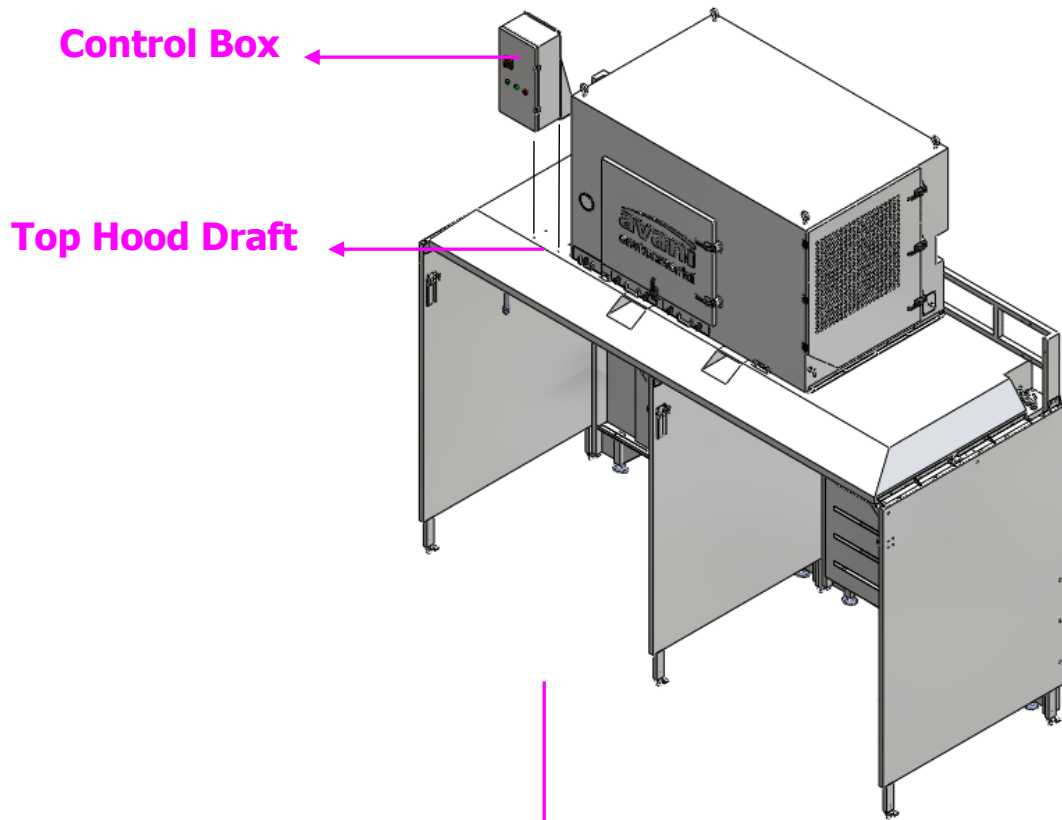
## ✦ Installations for WB-6065 (2 booths side by side).

- Take out **Control Box**
- Fasten **Control Box** to **Top Hood Draft** together with:

Hardware L				
Part name	Description	Photos	Q'ty	Grainger Model #
Hex Screw	5/16" x 3/4"		4	1YU33
Flat Washer	5/16" x OD23 x 2t		4	*1JY31

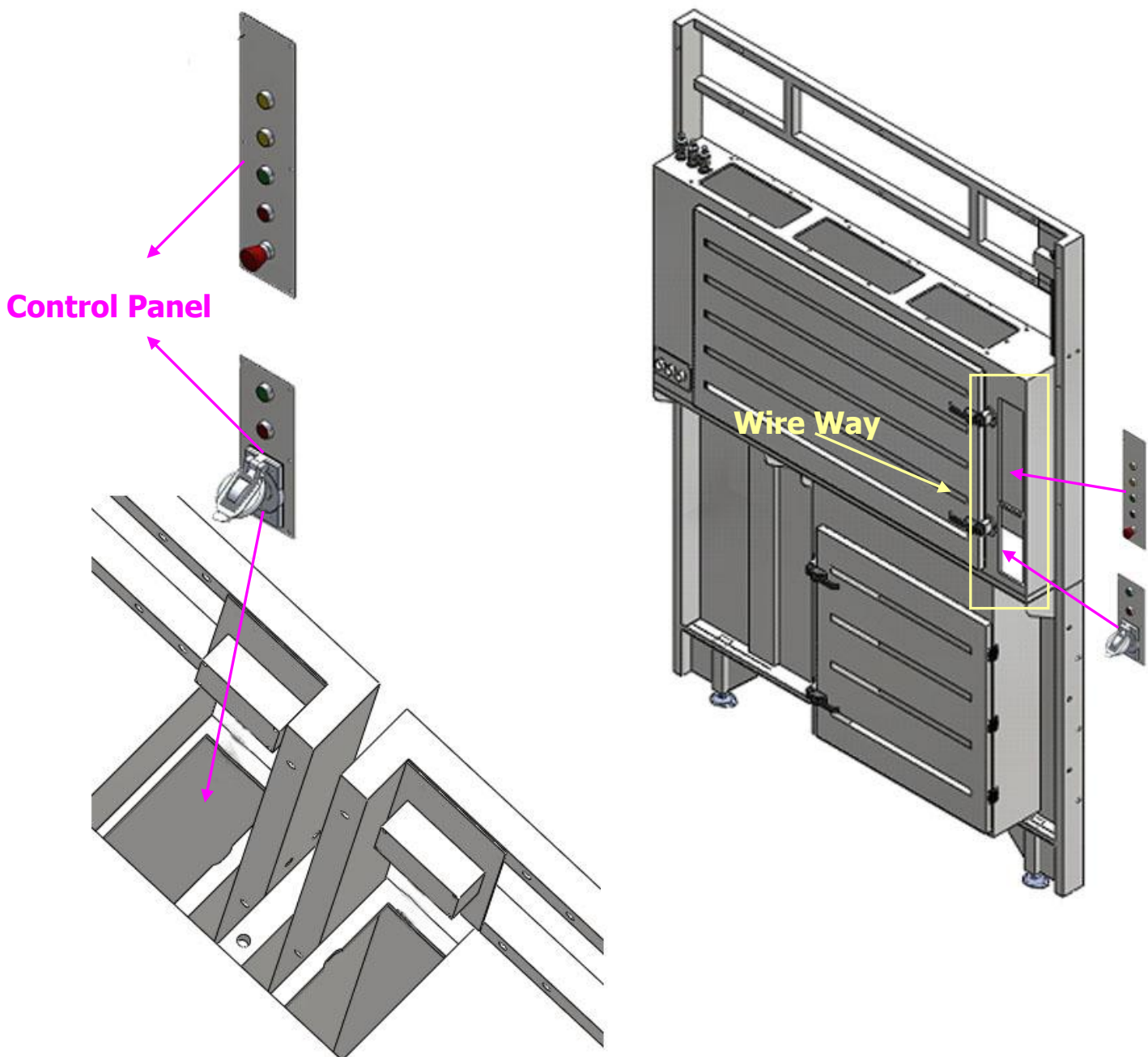
(\* ) Hardware item at similar spec available locally.

# ✦ Installations for WB-6065 (2 booths side by side).



## ✦ Installations for WB-6065 (2 booths side by side).

- Take out **Control Panel (5 Push Button)**
- Have **Control Panel (5 Push Button)** go through the hole and take it out from the wire way of **Swing Open Backdraft Upper Section.**

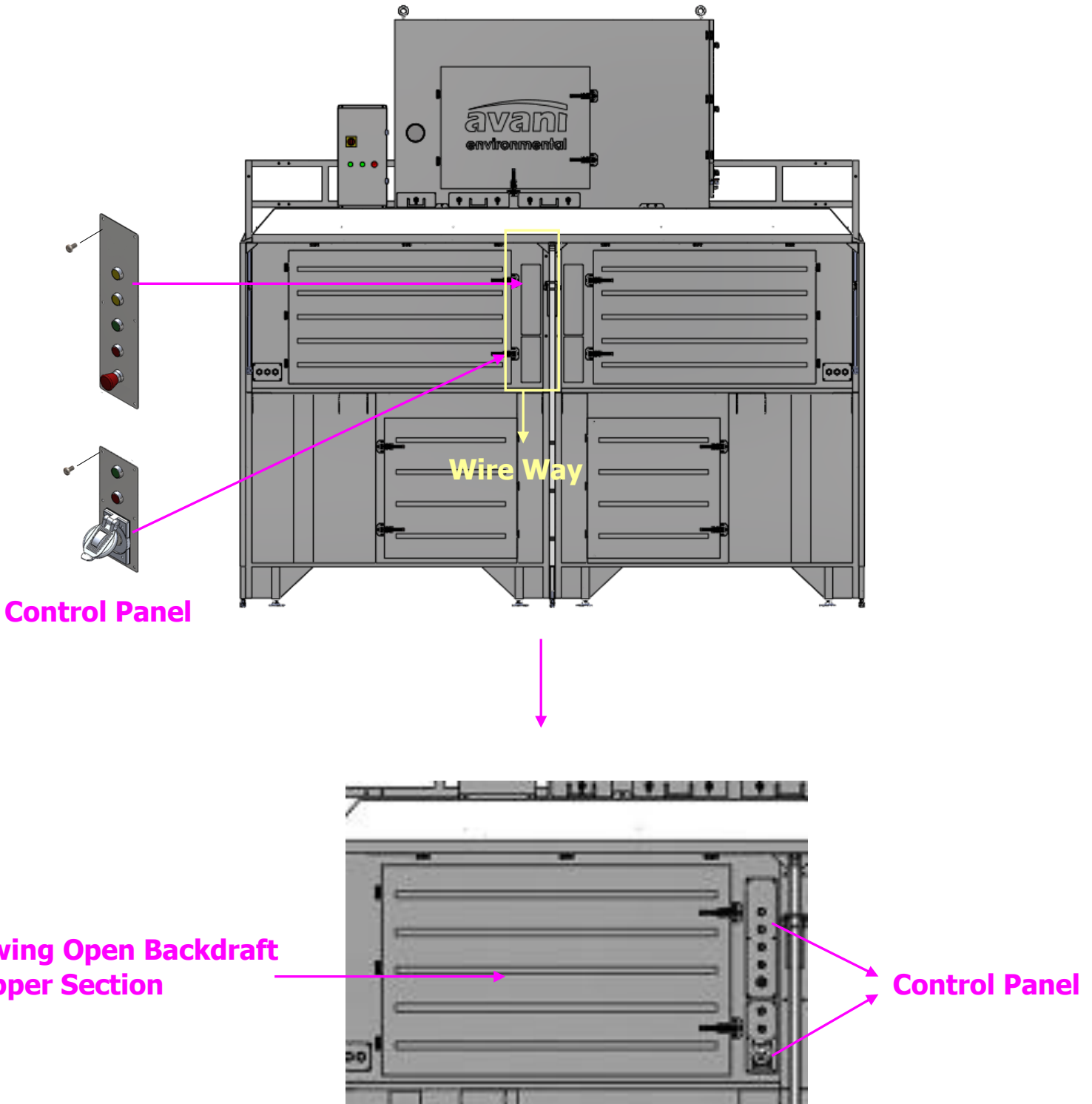




## ✦ Installations for WB-6065 (2 booths side by side).

- Take out **Control Panel** from the bottom of the wire way.
- Fasten **Control Panel** on the **Swing Open Backdraft**

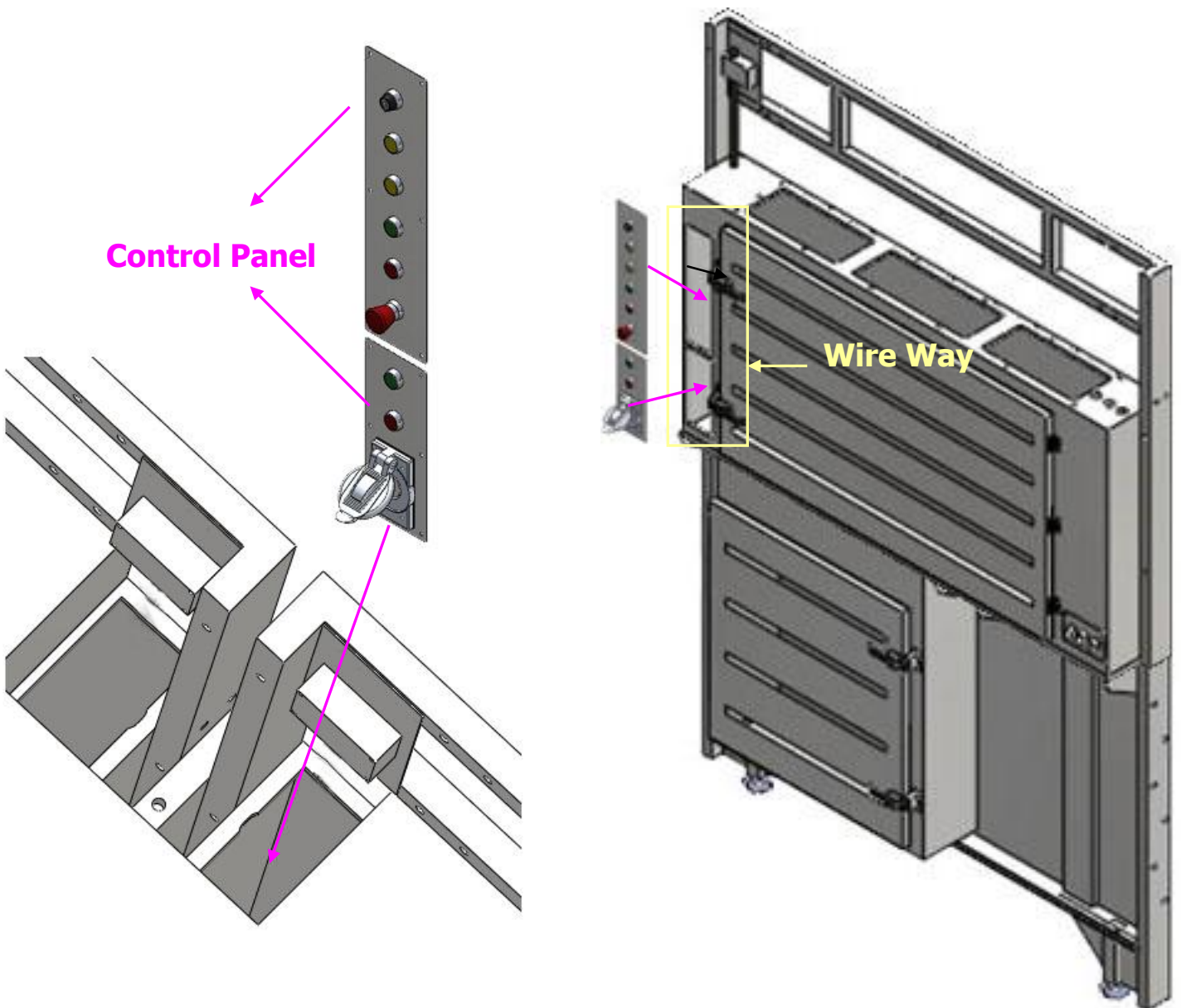
### Upper Section.





## ✦ Installations for WB-6065 (2 booths side by side).

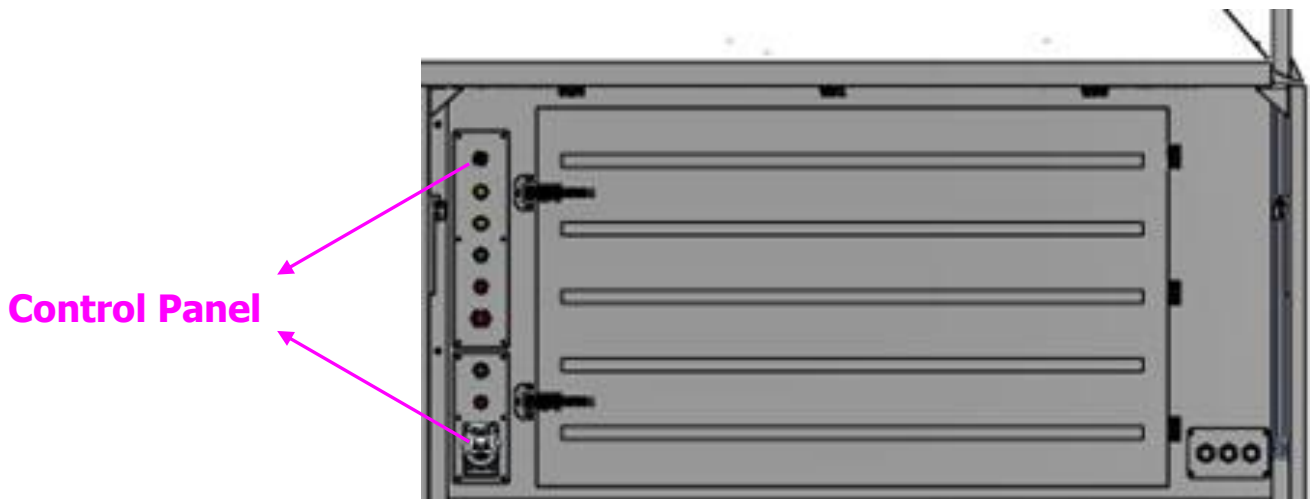
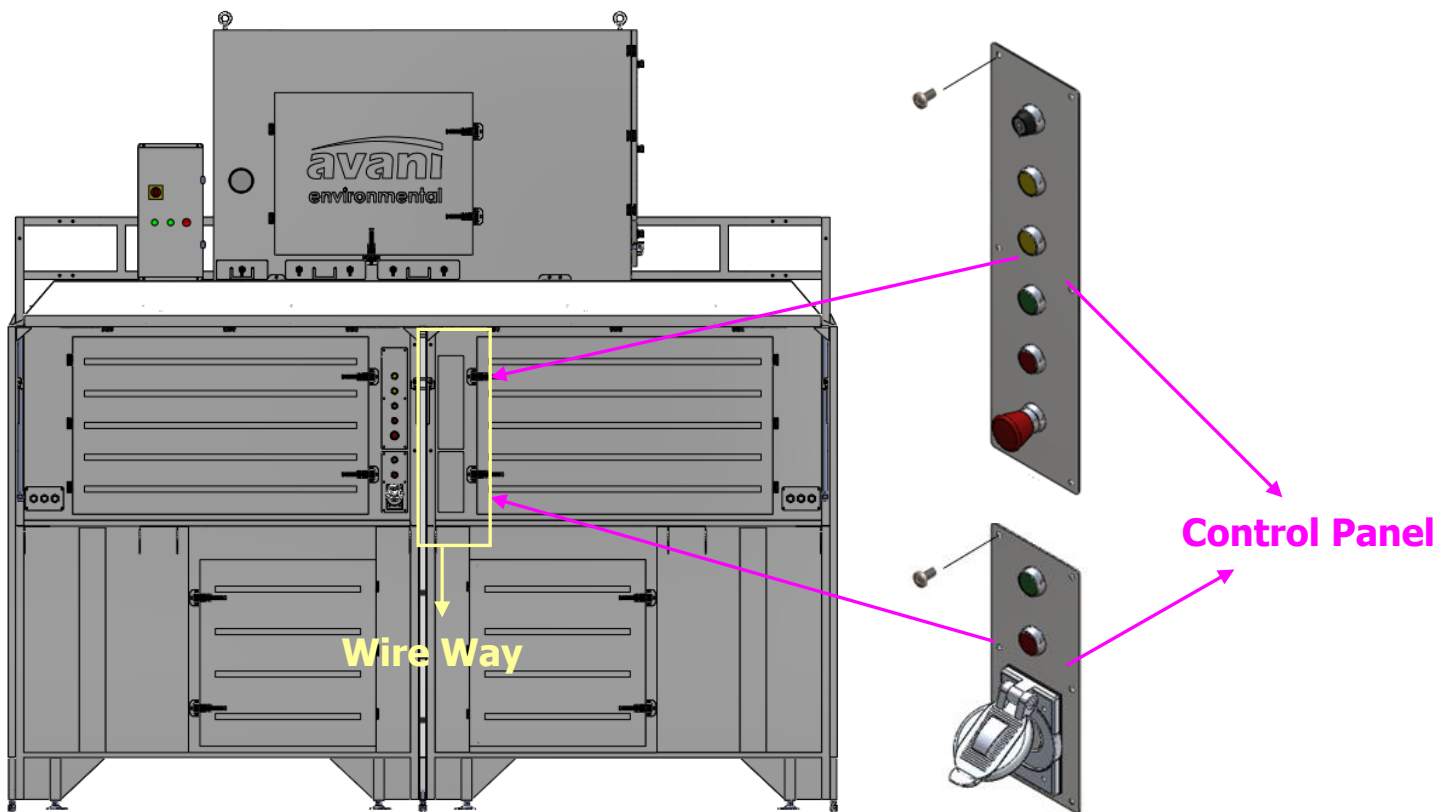
- Take out **Control Panel (6 Push Button)**
- Have **Control Panel (6 Push Button)** go through the hole and take it out from the wire way of **Swing Open Backdraft Upper Section.**



## ✦ Installations for WB-6065 (2 booths side by side).

- Take out **Control Panel** from the bottom of the wire way.
- Fasten **Control Panel** on the **Swing Open Backdraft**

### Upper Section



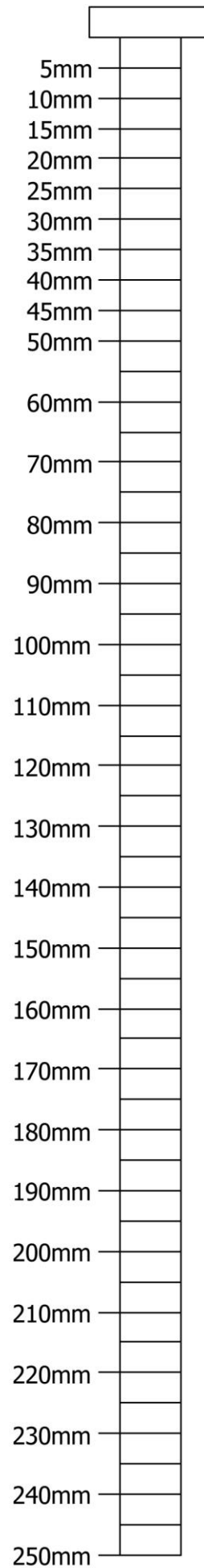
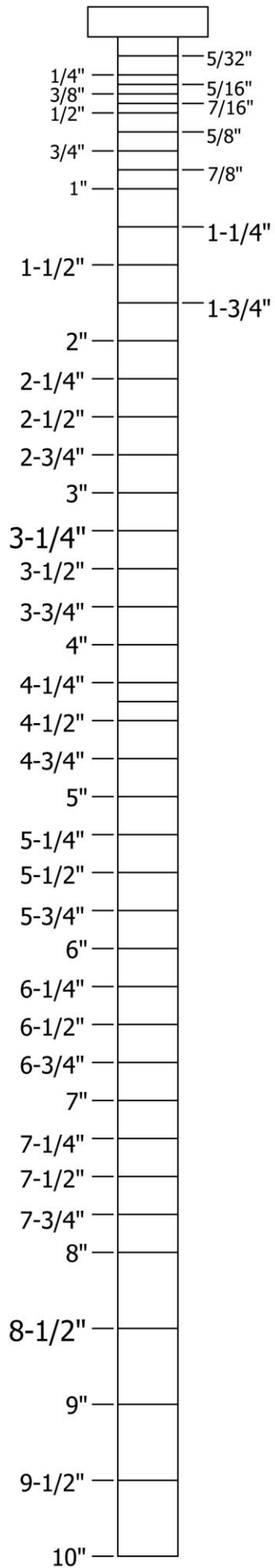
## ✦ Installations for WB-6065 (2 booths side by side).

- Fasten the **Iron Plate** on **Swing Open Backdraft Upper Section**.
- Fasten **Electrical Junction Box** on **Swing Open Backdraft Upper Section**.

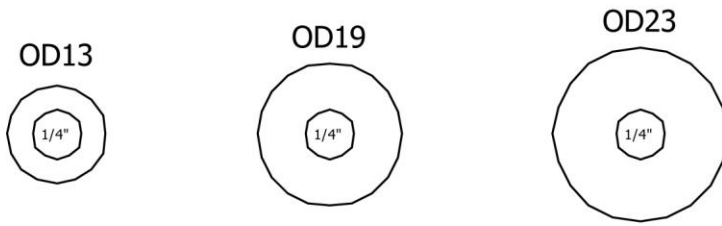
Electrical Junction Box



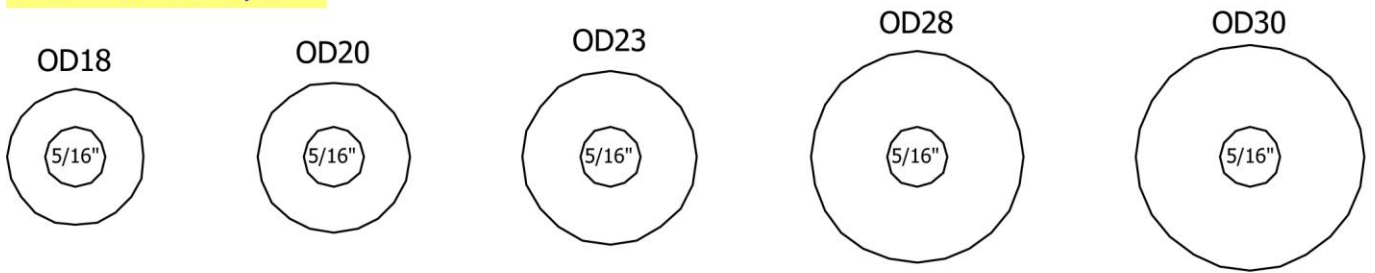
Iron Plate



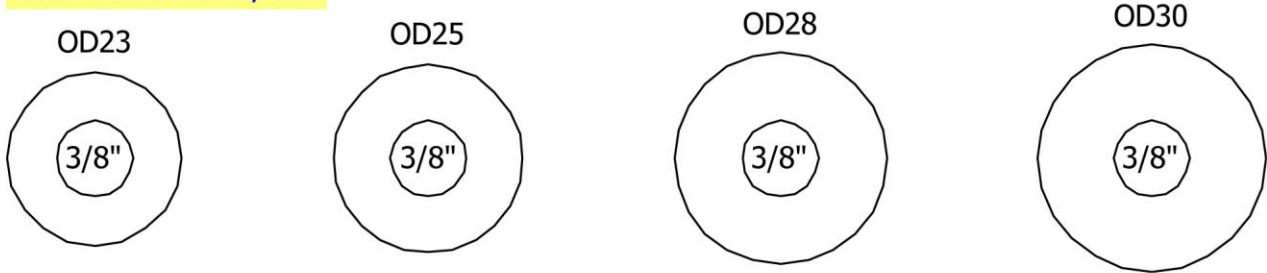
Flat Washer: 1/4"



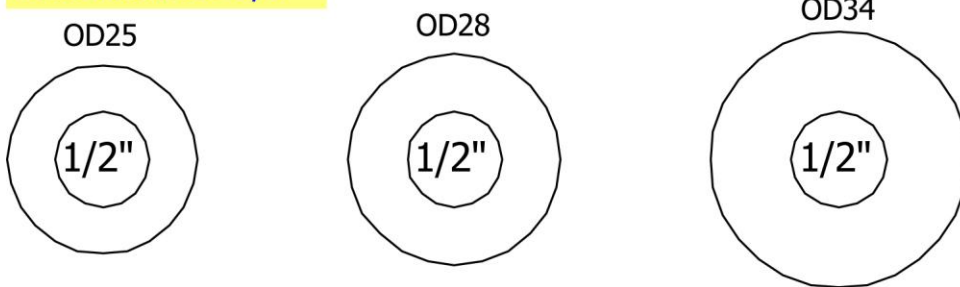
Flat Washer: 5/16"



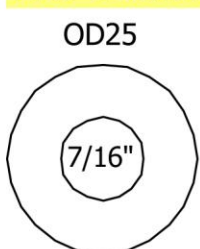
Flat Washer: 3/8"



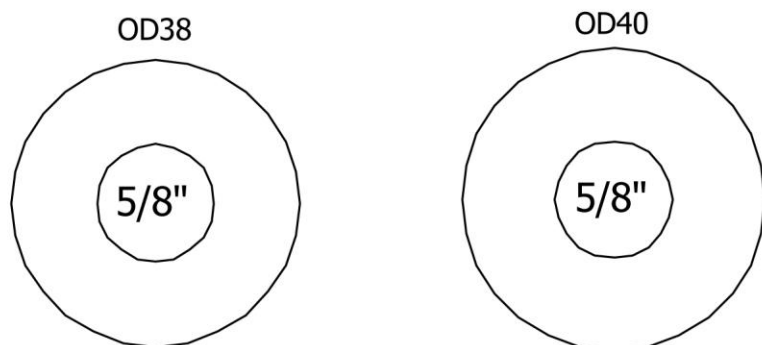
Flat Washer: 1/2"



Flat Washer: 7/16"



Flat Washer: 5/8"



**HEX NUT**

3/16"



HEX NUT

1/4"



HEX NUT

5/16"



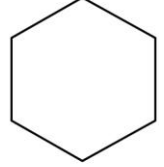
HEX NUT

3/8"



HEX NUT

1/2"



HEX NUT

**NYLON HEX NUT**

1/4"



NYLON HEX NUT

5/16"



NYLON HEX NUT

3/8"



NYLON HEX NUT

1/2"



NYLON HEX NUT