

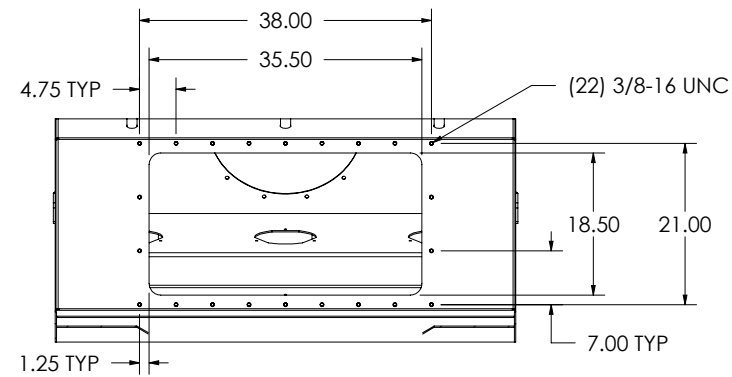
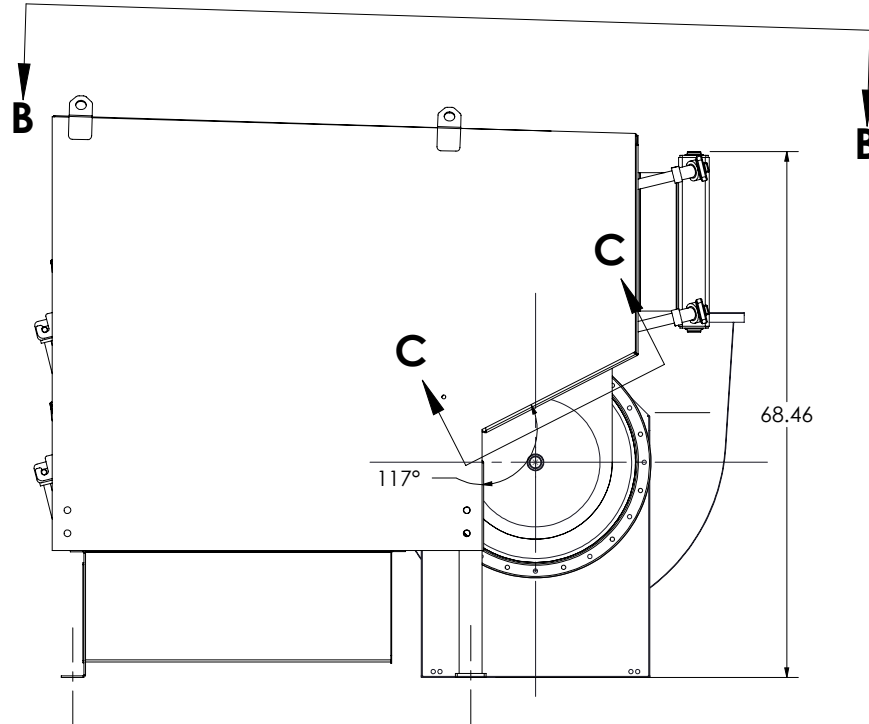
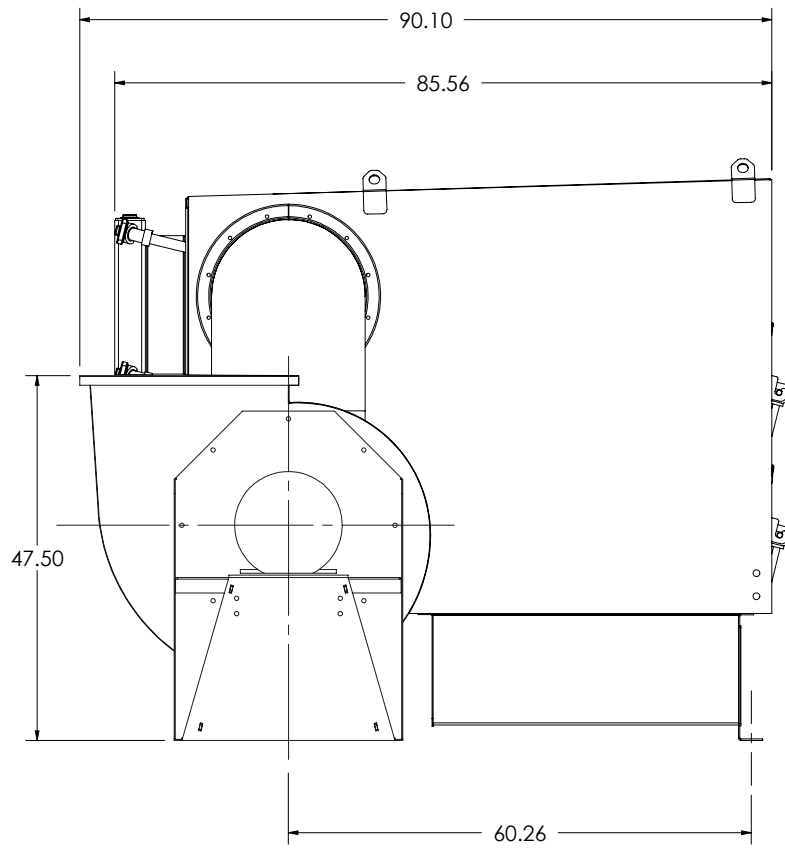
THE INFORMATION SHOWN ON THIS DRAWING IS THE EXCLUSIVE PROPERTY OF AIR CLEANING TECHNOLOGY, INC. IT IS NOT TO BE USED FOR ANY PURPOSE OR ITS CONTENTS DISCLOSED WITHOUT OUR WRITTEN CONSENT.

JOB AND LOCATION	CUSTOMER NAME	-	TEMP.	-	DRAWN BY	JX
	JOB NAME	-	ELEVATION	-	DATE	06/10/13
	JOB ID	-	DENSITY	-	CHKD BY	-
	LOCATION	-	C.F.M.	-	DATE	-
	ENG/ARCH.	-	S.P.	-	MOTOR WT	-
	S.O. NUMBER	-	R.P.M.	-	FAN WT	-
	TAG UNIT	-	B.H.P.	-	SCALE	1:25

REV	ECN	DATE	BY	CHK	DESCRIPTION
-	-	-	-	-	-

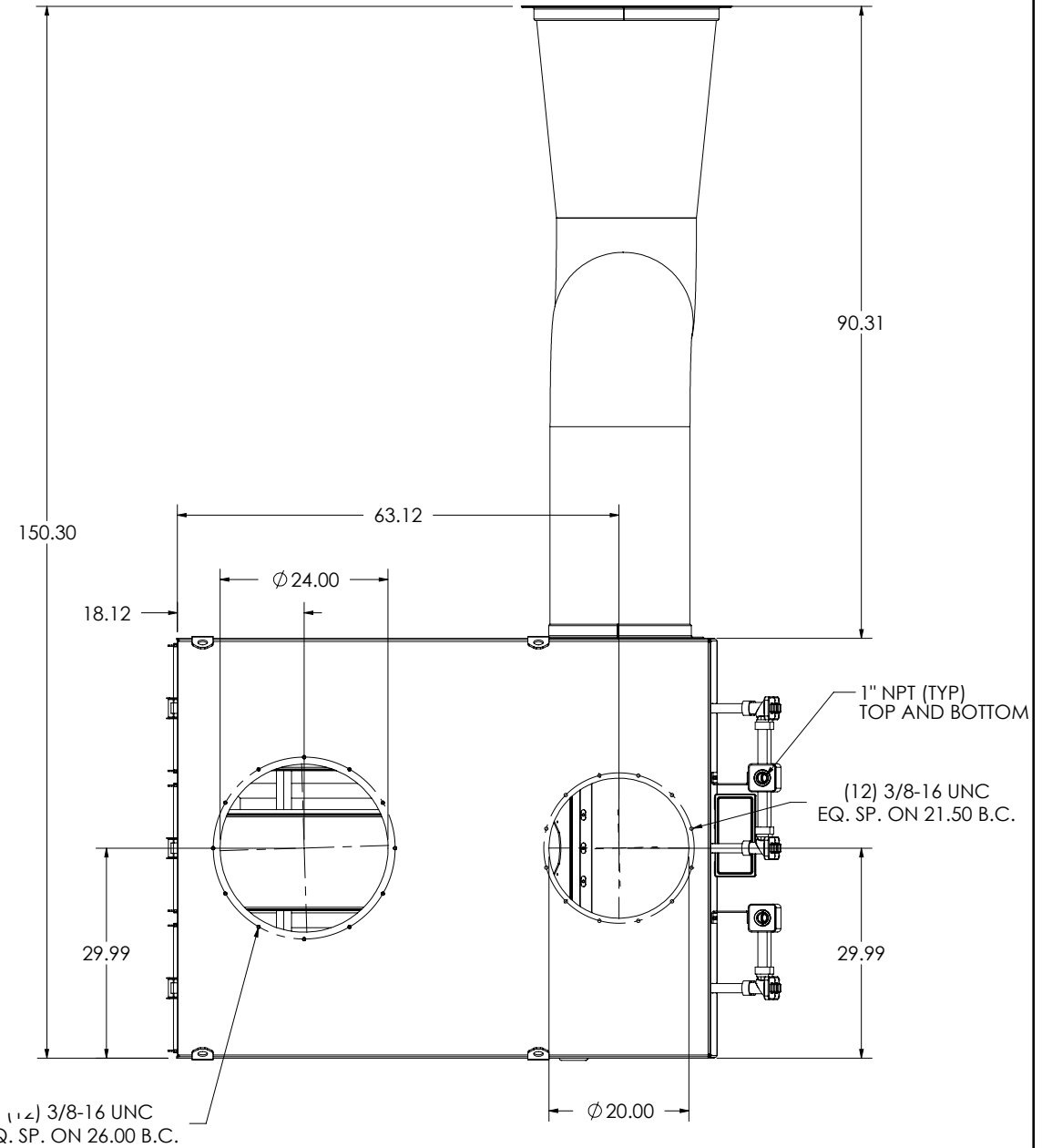
**ACT.**  
DUST COLLECTORS  
Air Cleaning Technology, Inc.  
13310 Industrial Park Blvd, Suite 195 - Plymouth, MN 55441

TITLE				
ACT 2-12 DRAWER ASSEMBLY				
15 HP FLOOR MOUNTED FAN				
DRAWING NO.	ROW	ITEM	SHEET	REV.
BC 15494	001	00	1 OF 2	-



**SECTION C-C**

**Inlet and Outlet location will be on the side of the collector - NOT top as shown**



**SECTION B-B**

THE INFORMATION SHOWN ON THIS DRAWING IS THE EXCLUSIVE PROPERTY OF AIR CLEANING TECHNOLOGY, INC. IT IS NOT TO BE USED FOR ANY PURPOSE OR ITS CONTENTS DISCLOSED WITHOUT OUR WRITTEN CONSENT.

JOB AND LOCATION	CUSTOMER NAME	-	TEMP.	-	DRAWN BY	JX
	JOB NAME	-	ELEVATION	-	DATE	06/10/13
	JOB ID	-	DENSITY	-	CHKD BY	-
	LOCATION	-	C.F.M.	-	DATE	-
	ENG/ARCH.	-	S.P.	-	MOTOR WT	-
	S.O. NUMBER	-	R.P.M.	-	FAN WT	-
	TAG UNIT	-	B.H.P.	-	SCALE	1:25

REV	ECN	DATE	BY	CHK	DESCRIPTION
-	-	-	-	-	-

**ACT**  
DUST COLLECTORS  
Air Cleaning Technology, Inc.  
13310 Industrial Park Blvd, Suite 195 - Plymouth, MN 55441

TITLE				
ACT 2-12 DRAWER ASSEMBLY				
15 HP FLOOR MOUNTED FAN				
DRAWING NO.	ROW	ITEM	SHEET	REV.
BC 15494	001	00	2 OF 2	-