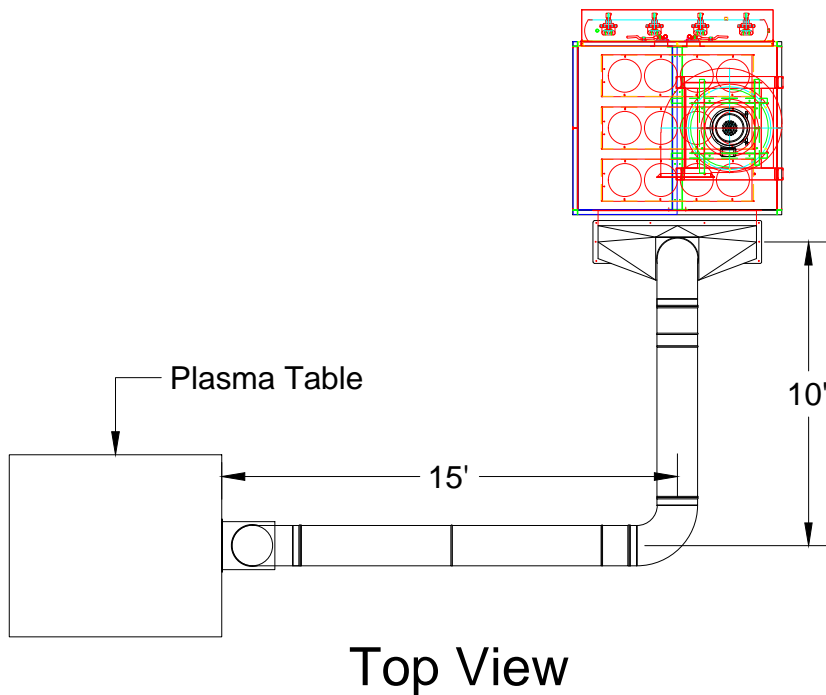
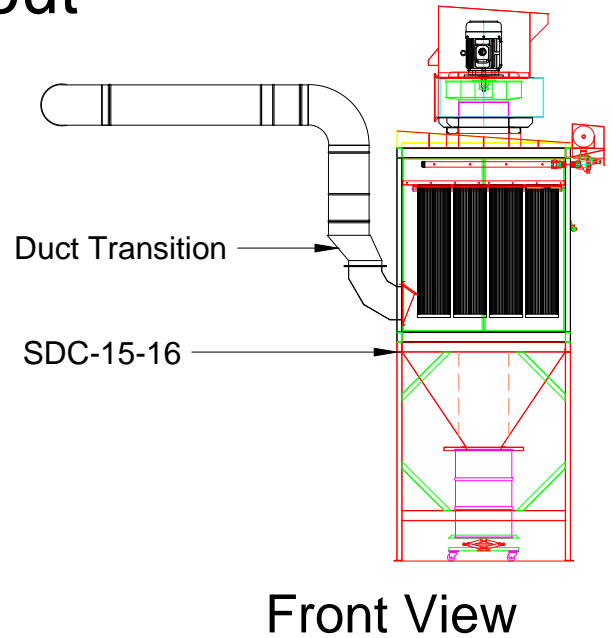
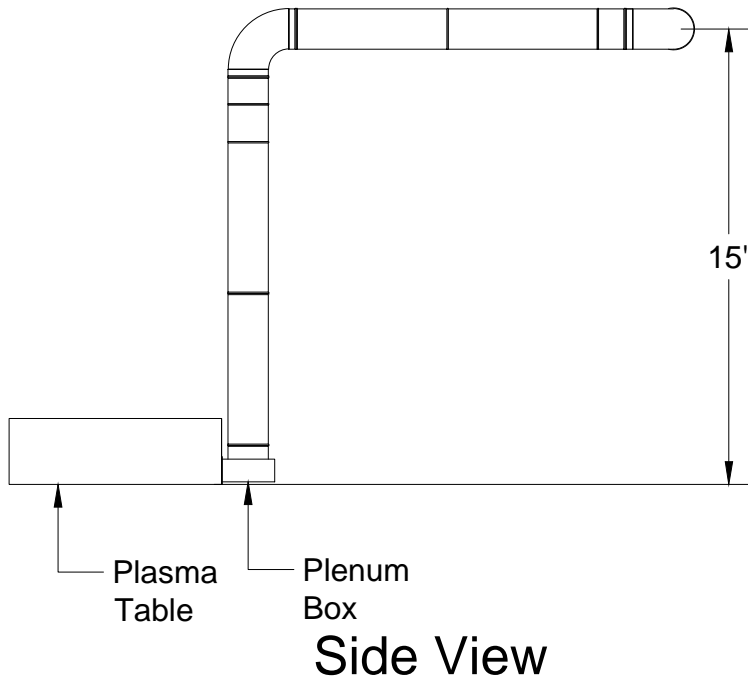


Kiffer SO21442/21497 Duct Layout



Notes:

1. Duct to connect to (1) plasma table
2. Duct to be supported from ceiling
3. Avani Environmental standard installation crew is quoted out per day based on the above drawings and approvals. Any changes, modifications, downtime, or inability to perform our work above and beyond the control of Avani Environmental will charge an additional \$1,000 per work day (5 or more hours) per crew above what was initially quoted.

Avani Environmental Intl. Inc.
95 Cypress Drive
Youngsville, NC 27596
P# 919-488-2862 F# 919-488-2863

Avani

Project: Kiffer SO21442

Drawing: Approval Drawing

Date: 6/13/14

Drawn by: MDT

Sheet No: 1 OF 1

Rev: 0