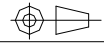
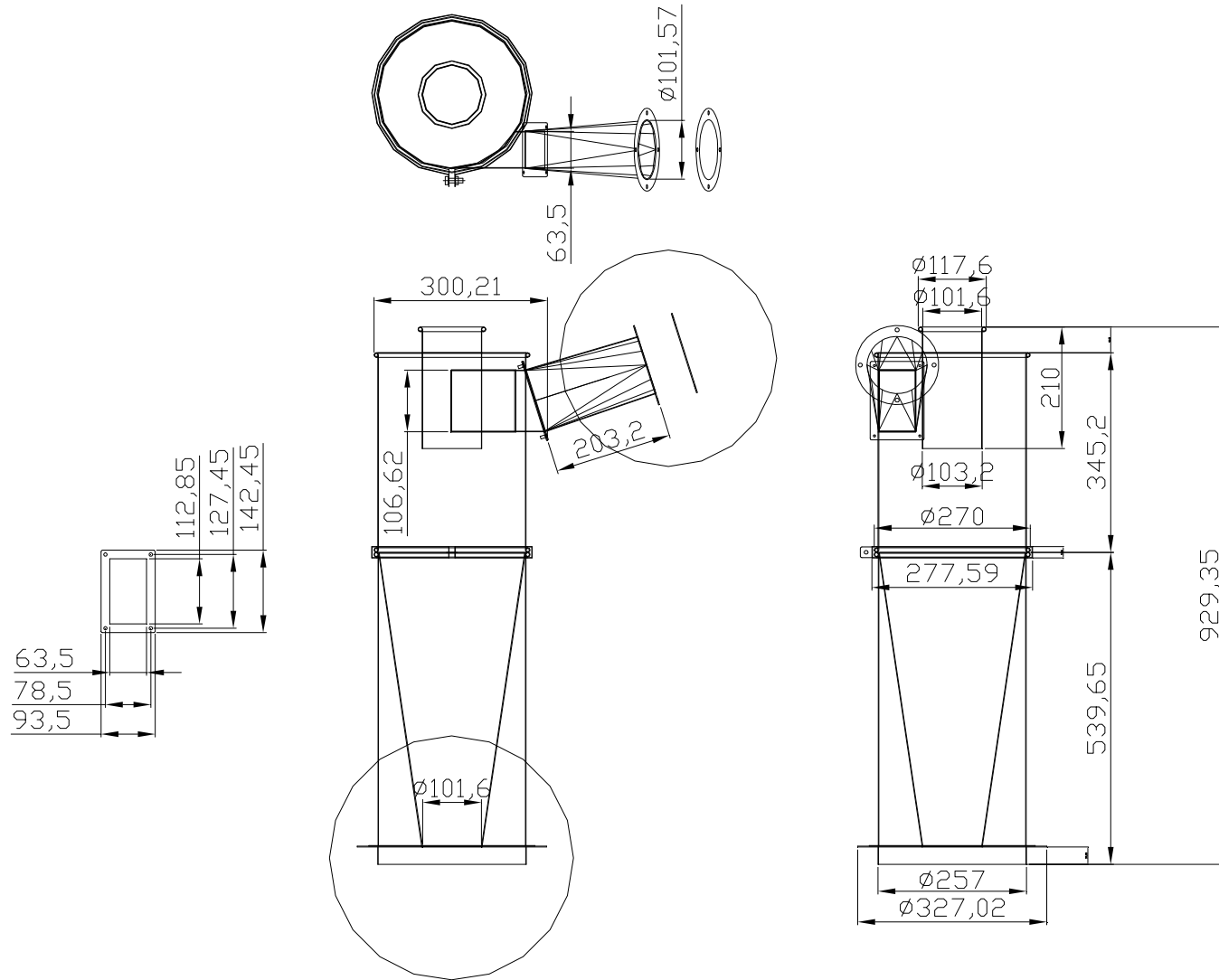


DO NOT SCALE

IF IN DOUBT ASK



Revisions			
Rev	Description	Date	Approved



OSKAR AIR PRODUCTS, INC.  
 95 Cypress Drive  
 Youngsville, NC 27596

Sales Department  
 (919) 570-2862  
 sales@oskarsales.com

	Date	Name	Part Number:	Title:
Drawn by:	2009-03-16	XXXXX	SC-10	Cyclone SC-10
Checked by:				

This drawing is confidential and is the exclusive property of Oskar Air Products. No unauthorized use/copy or disclosure is to be made and it is returned whenever required.

Size	Scale	Drawing Number:
<b>A</b>	1 = 1	original sent drawing







