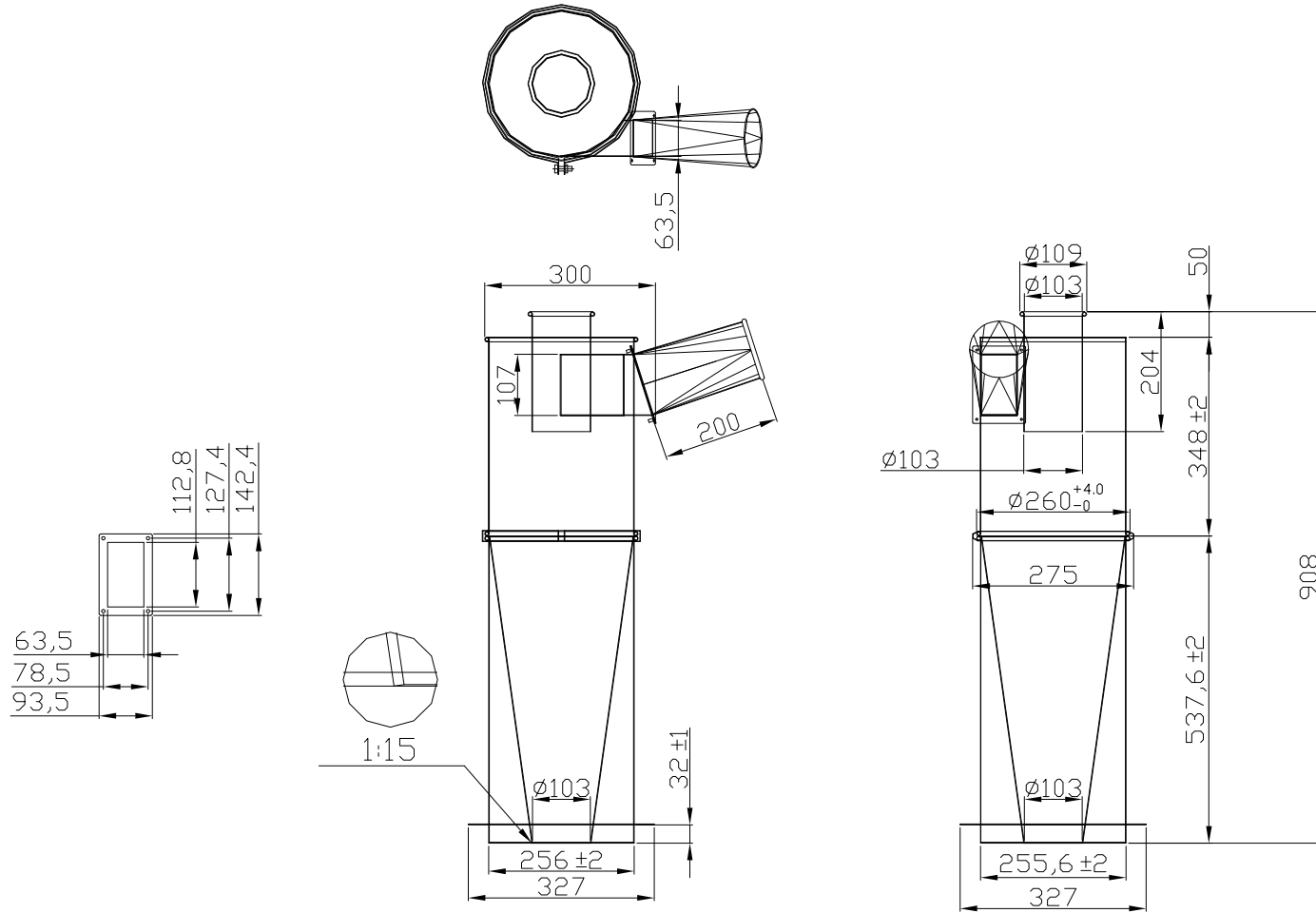


DO NOT SCALE

IF IN DOUBT ASK



Revisions			
Rev	Description	Date	Approved



OSKAR AIR PRODUCTS, INC.
 95 Cypress Drive
 Youngsville, NC 27596

Sales Department
 (919) 570-2862
 sales@oskarsales.com

Date	2009-10-05	Name	XXXXX	Part Number:	SC-10
Drawn by:		Checked by:			

Title: Cyclone SC-10

This drawing is confidential and is the exclusive property of Oskar Air Products. No unauthorized use/copy or disclosure is to be made and it is returned whenever required.

Size **A**

Scale 1 = 10

Drawing Number: cyclone SC-10

Mini Cycle SC-10
[CY-4040]

2009.10.05



