

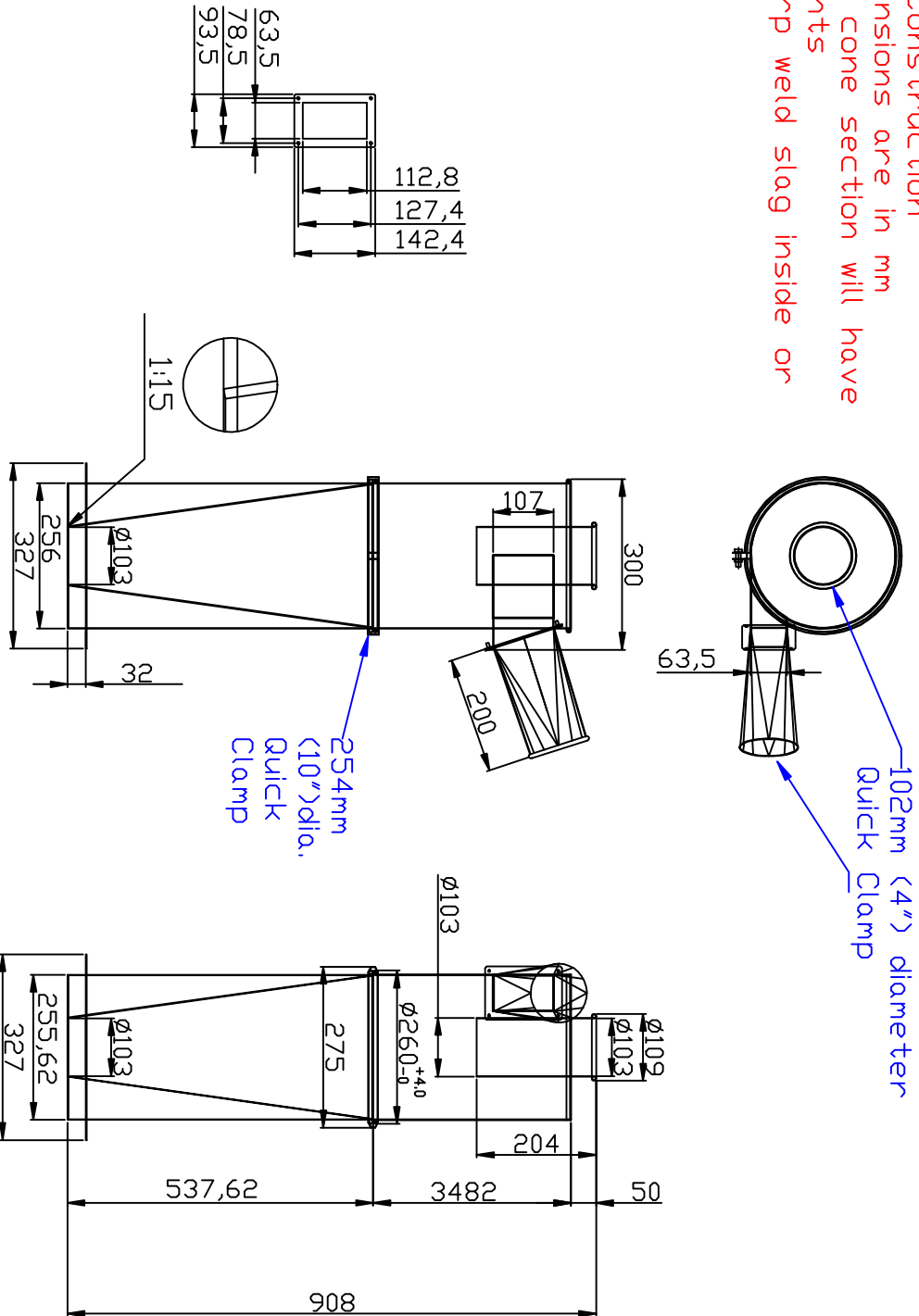
DO NOT SCALE

IF IN DOUBT ASK



Revisions		Date	Approved
Rev	Description		

- Notes:
- A) 304SS Construction
 - B) All dimensions are in mm
 - C) Bottom cone section will have no lap joints
 - D) No sharp weld slag inside or outside



OSKAR AIR PRODUCTS, INC.
 95 Cypress Drive
 Youngsville, NC 27596

Sales Department
 (919) 570-2862
 sales@oskarsales.com

Date		Name		Part Number:		Title:	
2009-10-05		XXXXX		SC-10		Cyclone SC-10	
Drawn by:		Created by:		Size		Scale	
				A		1 = 10	
This drawing is confidential and is the exclusive property of Oskar Air Products. No unauthorized use/copy or disclosure is to be made and it is returned whenever required.				Drawing Number:		cyclone SC-10	