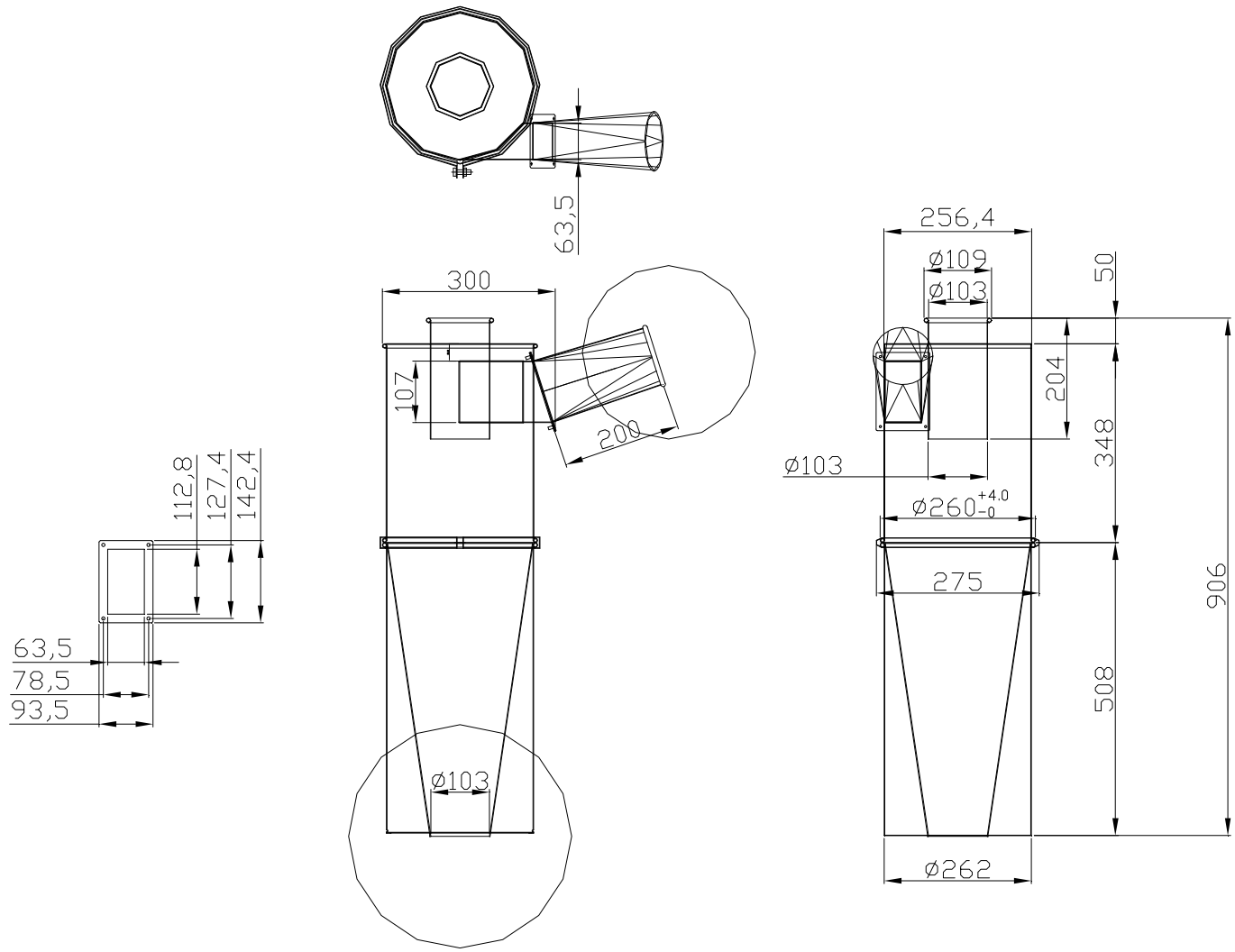


DO NOT SCALE

IF IN DOUBT ASK



Revisions			
Rev	Description	Date	Approved



OSKAR AIR PRODUCTS, INC.  
 95 Cypress Drive  
 Youngsville, NC 27596

Sales Department  
 (919) 570-2862  
 sales@oskarsales.com

	Date	Name
Drawn by:	2009-03-16	XXXXX
Checked by:		

Part Number:  
 SC-10

Title:  
 Cyclone SC-10

This drawing is confidential and is the exclusive property of Oskar Air Products. No unauthorized use/copy or disclosure is to be made and it is returned whenever required.

Size  
**A**

Scale  
 1 = 1

Drawing Number:  
 cyclone delivered