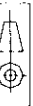


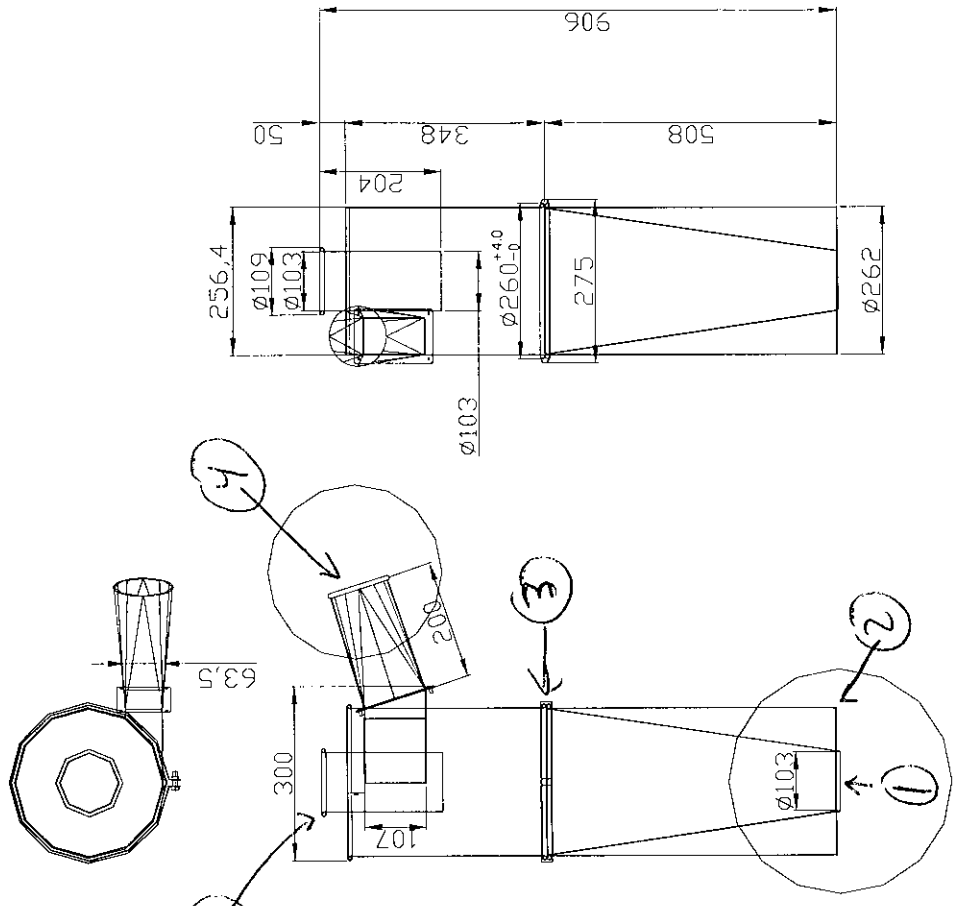
DO NOT SCALE

IF IN DOUBT ASK



Rev	Description	Date	Approved

Note:
 A) No sharp weld slag inside or outside
 B) Bottom Cone section to have No lap joints.



OSKAR AIR PRODUCTS, INC. 95 Cypress Drive Youngsville, NC 27596	Sales Department (919) 570-2862 sales@oskarsales.com	Drawn by:	2009-03-16	Name	XXXXX
		Checked by:			
This drawing is confidential and is the exclusive property of Oskar Air Products. No unauthorized use/copy or disclosure is to be made and it is returned whenever required.		Part Number:	SC-10	Title:	Cyclone SC-10
Size	A	Scale	1 = 1	Drawing Number:	cyclone delivered