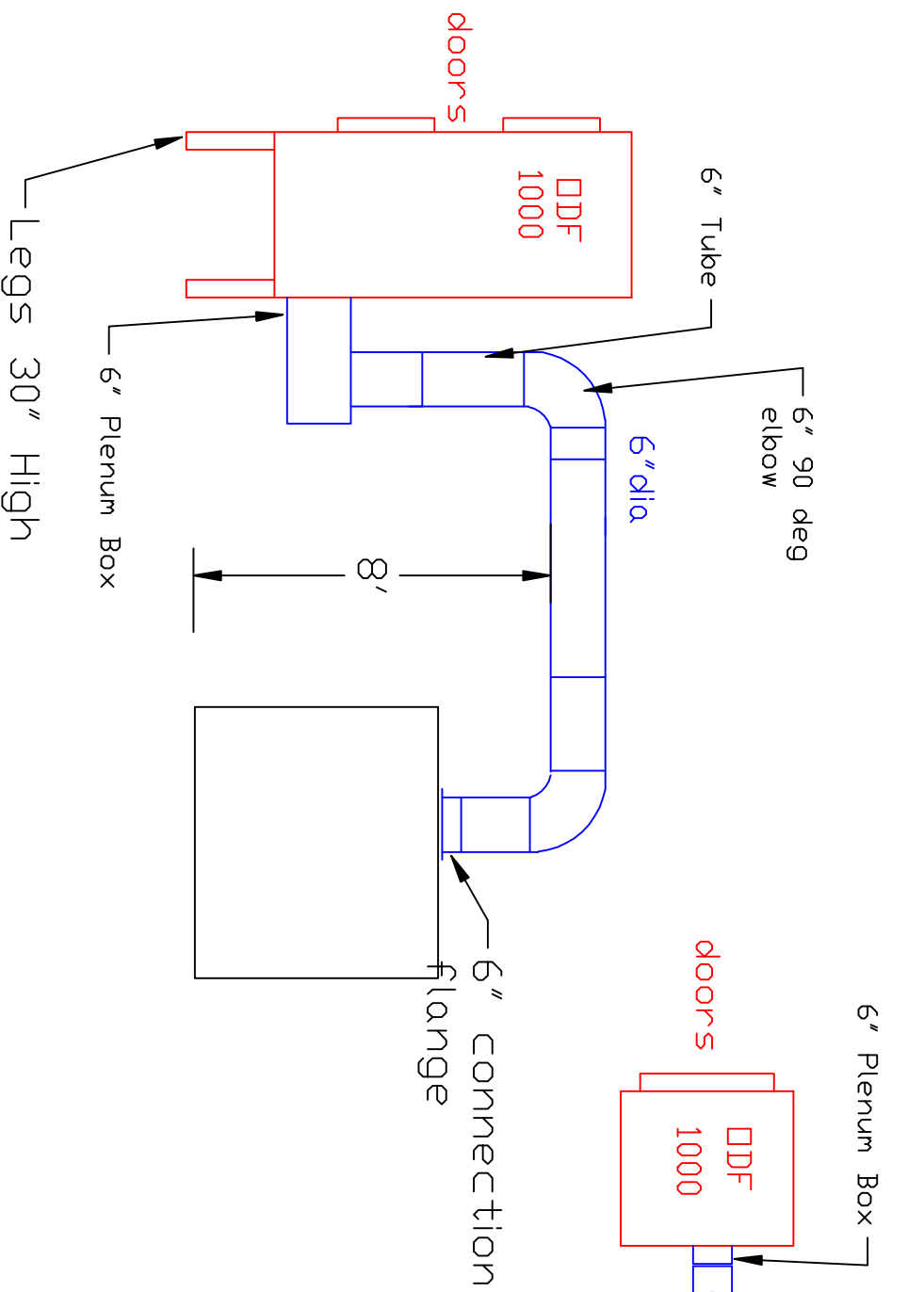
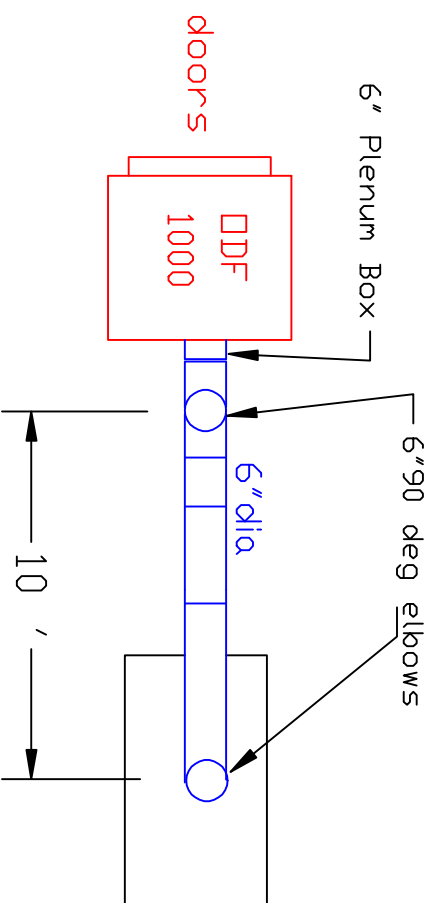


Absolent Ductwork Layout

Side View



Plan View



Avani Environmental
 95 Cypress Drive 27596
 Youngsville, NC

Project: Karl Heilmann
 Drawing: Ductwork layout
 Date: 3/26/12 | Drawn by: RAV
 Sheet No:

