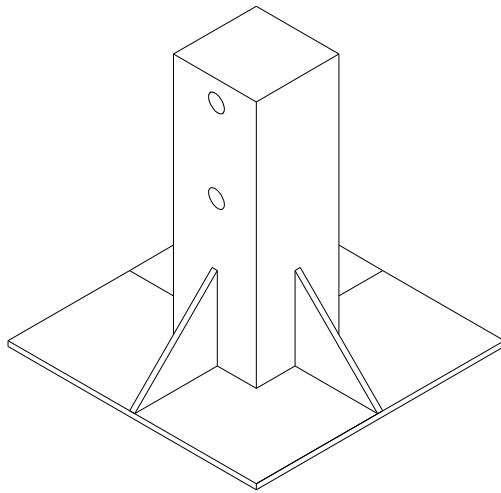


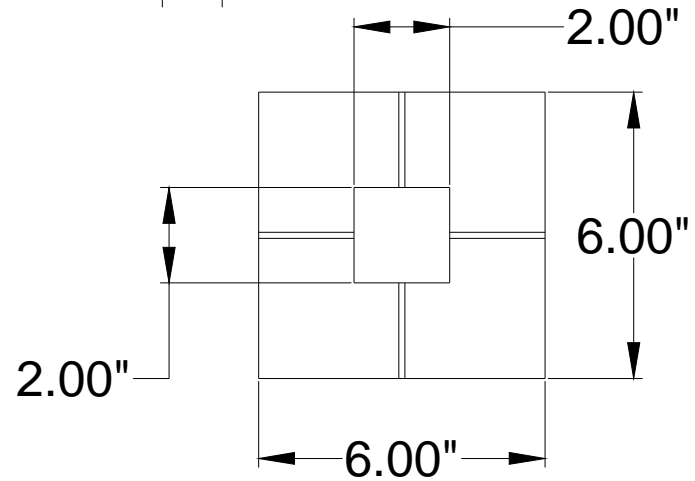
# Johnson Controls Unistrut Support



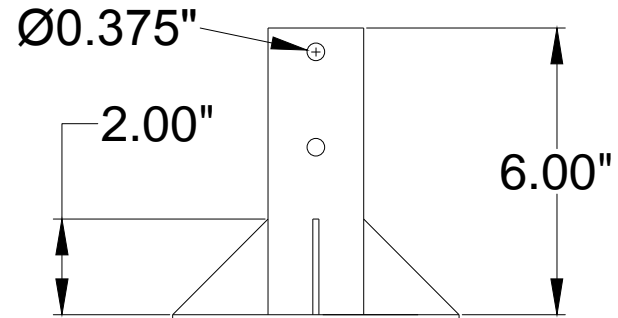
Isometric View

Notes:

- 1. Unistrut should fit inside 2"x2" square tubing
- 2. Will connect to plenum box



Top View



Side View

Avani Environmental Intl. Inc.  
95 Cypress Drive  
Youngsville, NC 27596  
P# 919-570-2862 F# 919-570-2863

**Avani**

Project: Johnson Controls

Drawing: Unistrut Support

Date: 1-10-13

Drawn by: MDT

Sheet No: 1 OF 1

Rev 1