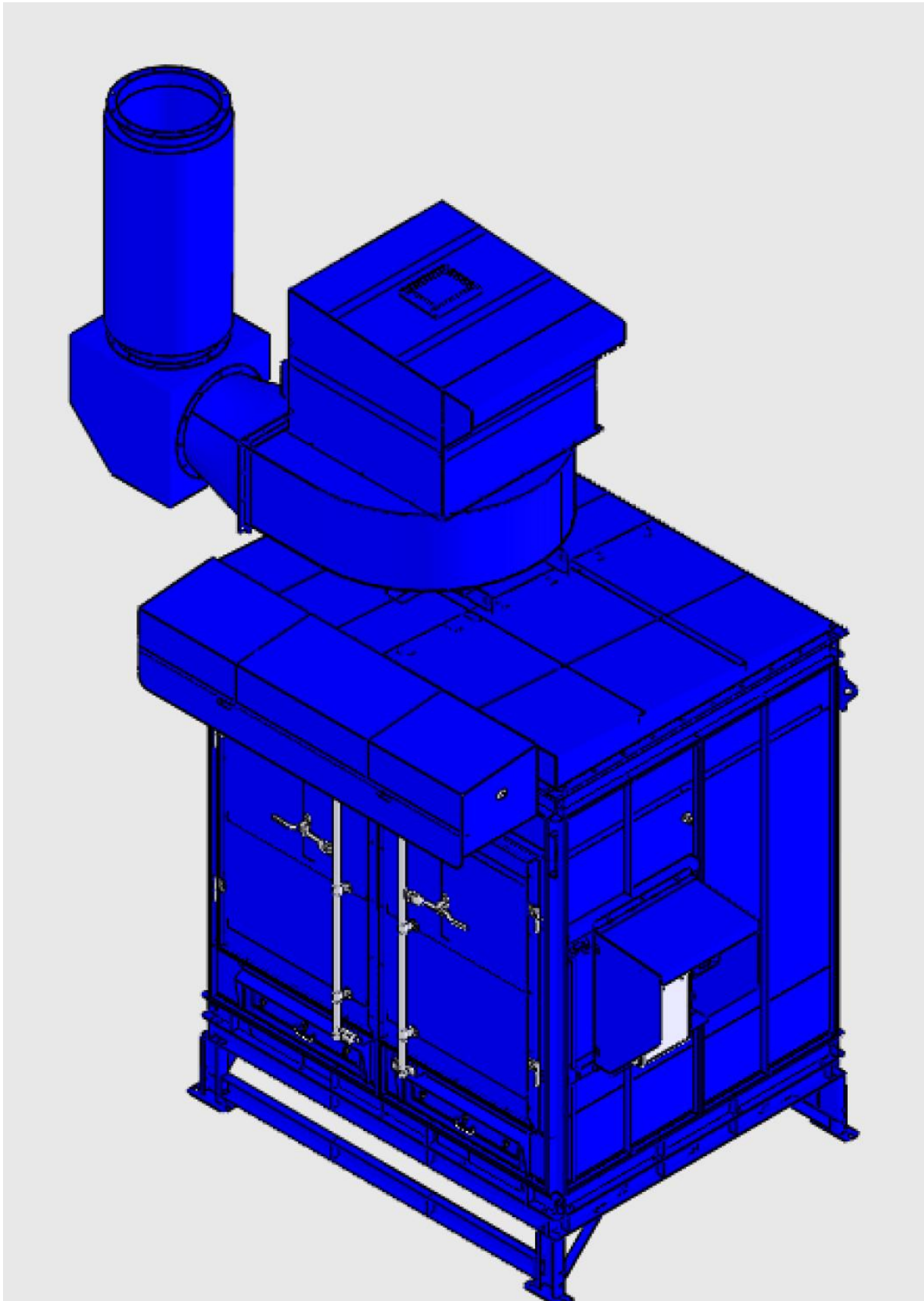
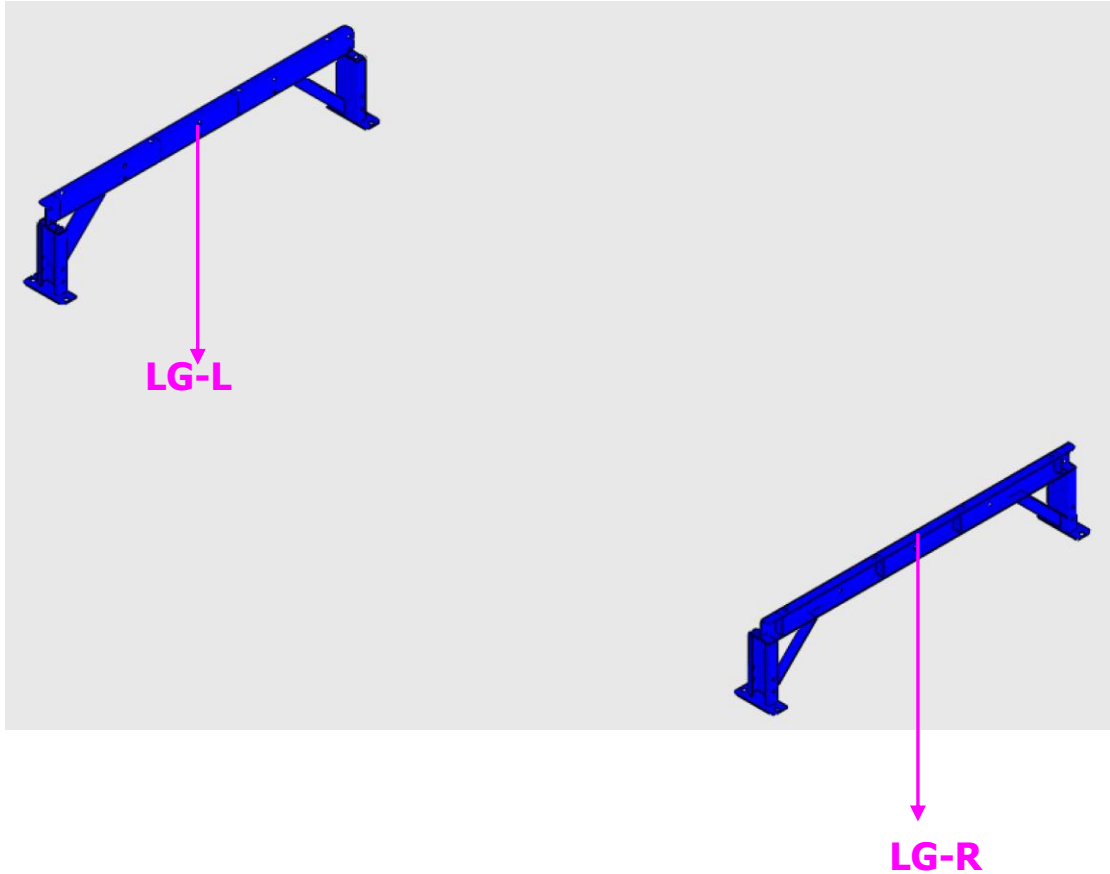


✦ Installations for the unit for SDC-20-16MDF.






✚ Installations for the unit for SDC-20-16MDF.

- Take out the number: **LG-L** and **LG-R**
- Put **LG-L** and **LG-R** on the ground.



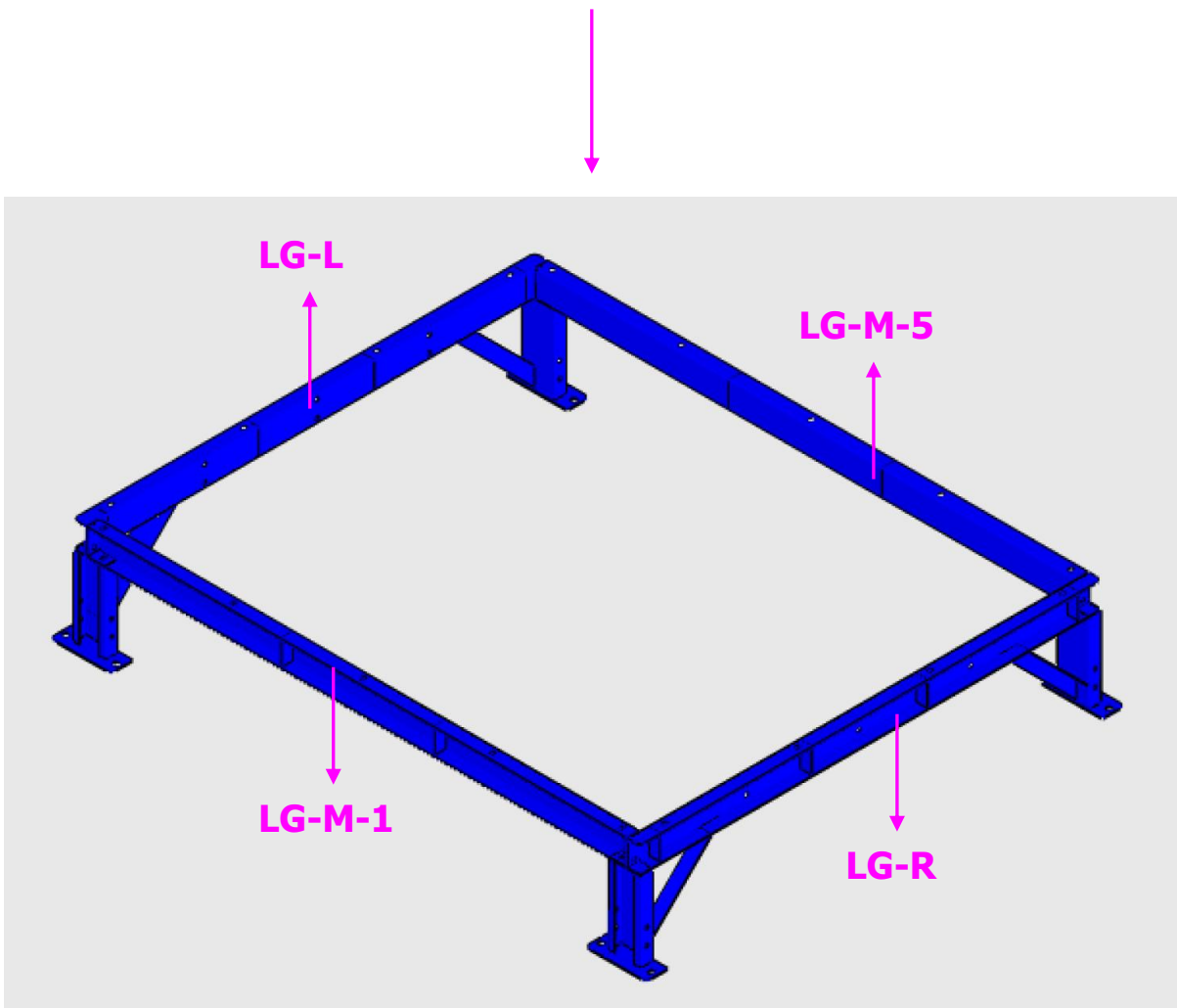
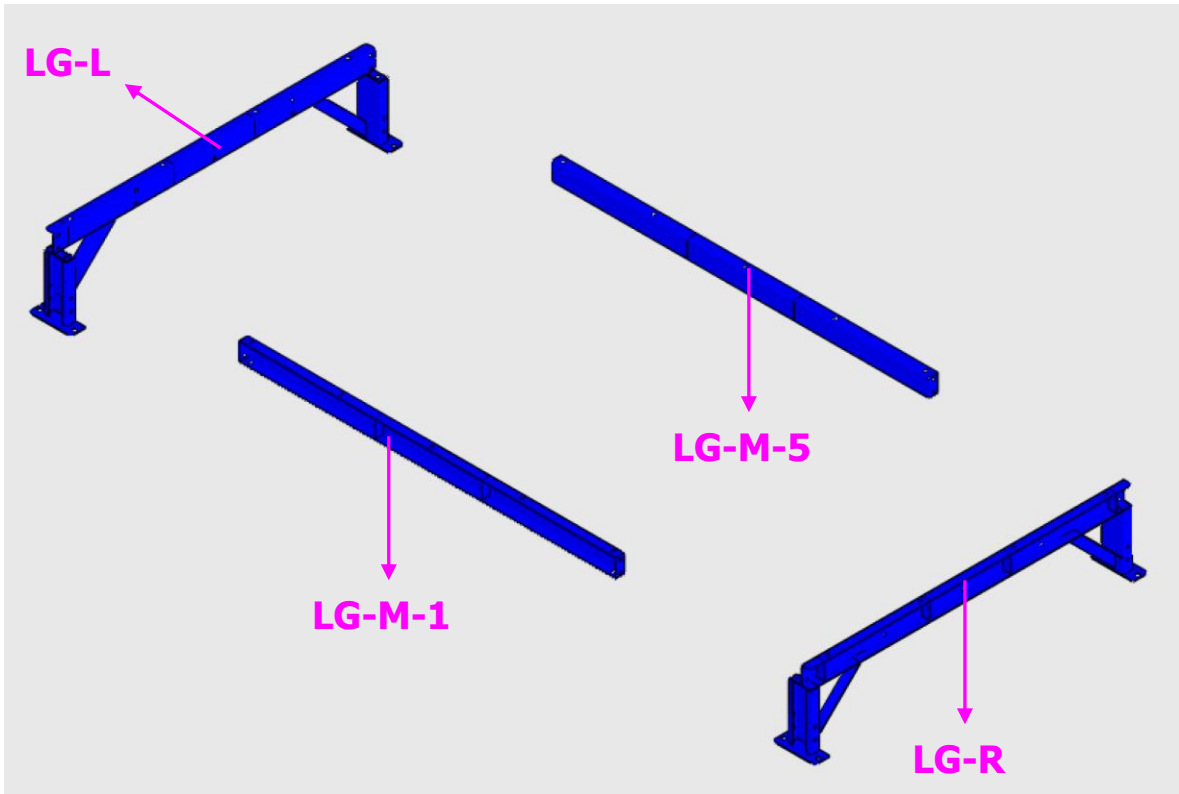
✦ Installations for the unit for SDC-20-16MDF.

- Take out the number: **LG-M-1** and **LG-M-5**.
- Fasten **LG-M-1** and **LG-M-5** to **LG-L** and **LG-R** with:

Hardware 8				
Part name	Description	Photo	Q'ty	Grainger Model #
Hex Screw	1/2" x 1"		12	1YU61
Flat Washer	1/2" x OD25 x 2T		24	*1JY35
Hex Nut	1/2"		12	2FE67

(* Hardware item at similar spec available locally.




✦ Installations for the unit for SDC-20-16MDF.



✚ Installations for the unit for SDC-20-16MDF.

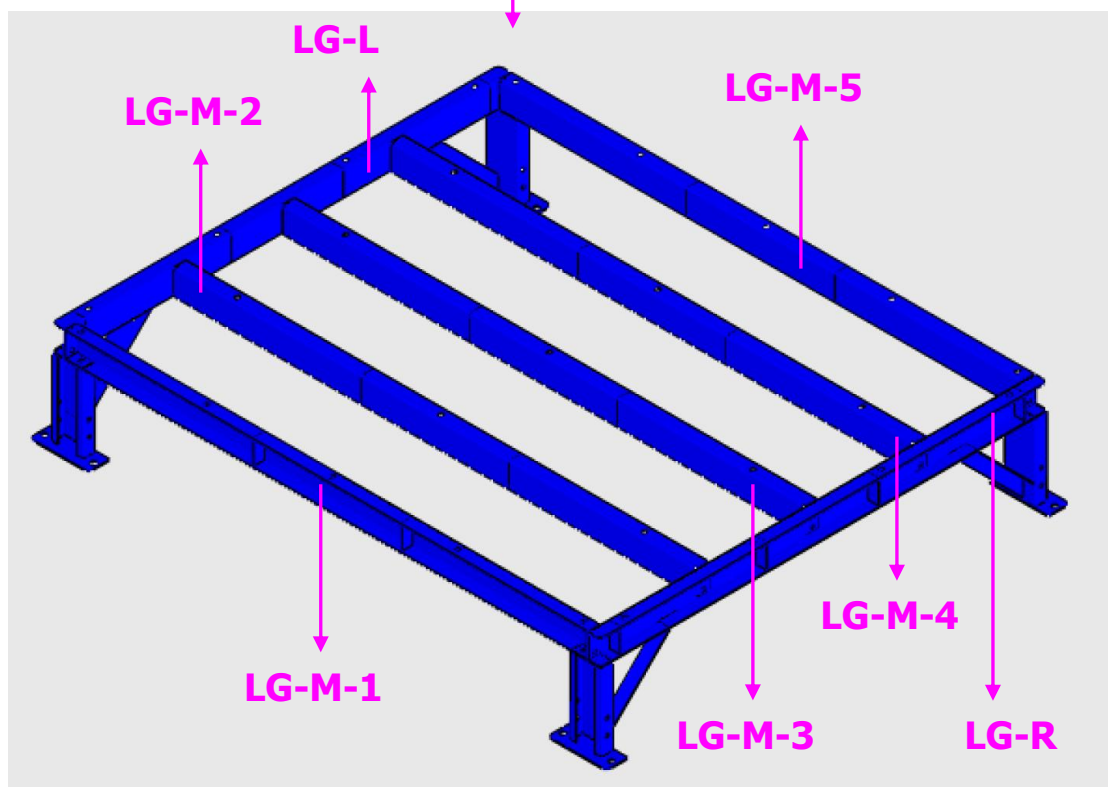
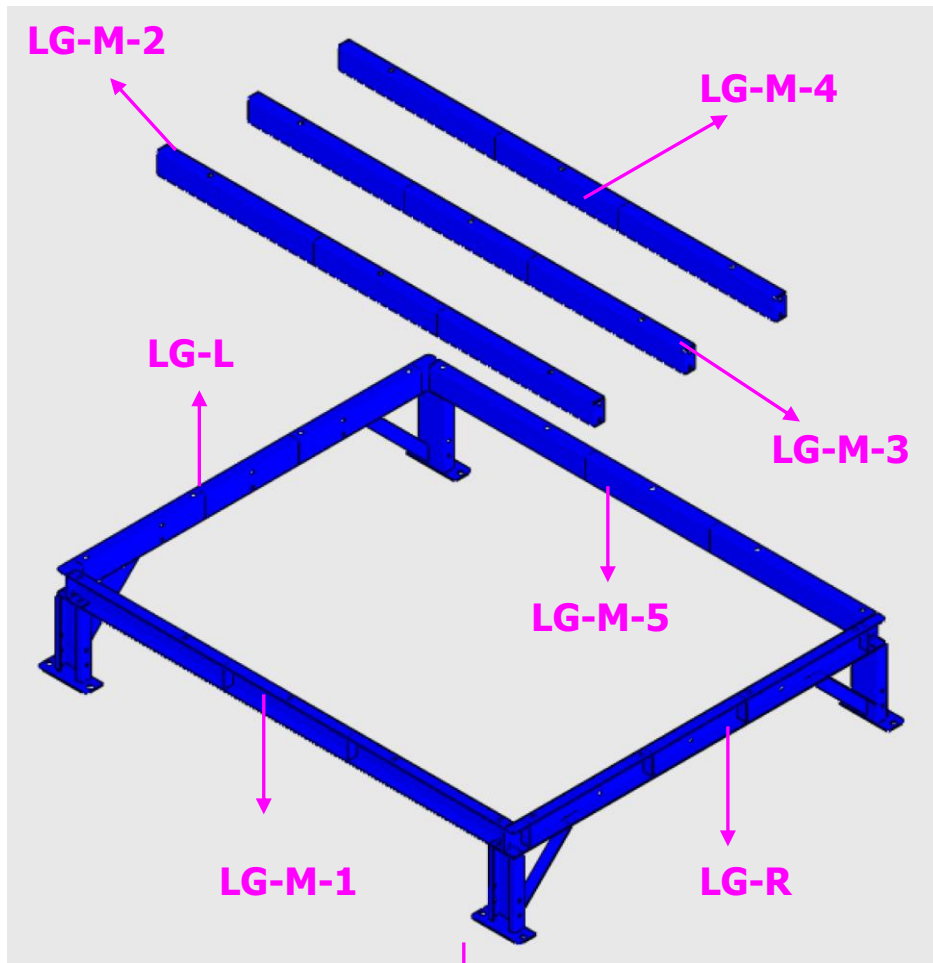
- Take out the number: **LG-M-2, LG-M-3** and **LG-M-4**.
- Fasten **LG-M-2, LG-M-3** and **LG-M-4** to **LG-L** and **LG-R**

with:

Hardware 8				
Part name	Description	Photo	Q'ty	Grainger Model #
Hex Screw	1/2" x 1"		12	1YU61
Flat Washer	1/2" x OD25 x 2T		24	*1JY35
Hex Nut	1/2"		12	2FE67




(* Hardware item at similar spec available locally.

✦ Installations for the unit for SDC-20-16MDF.



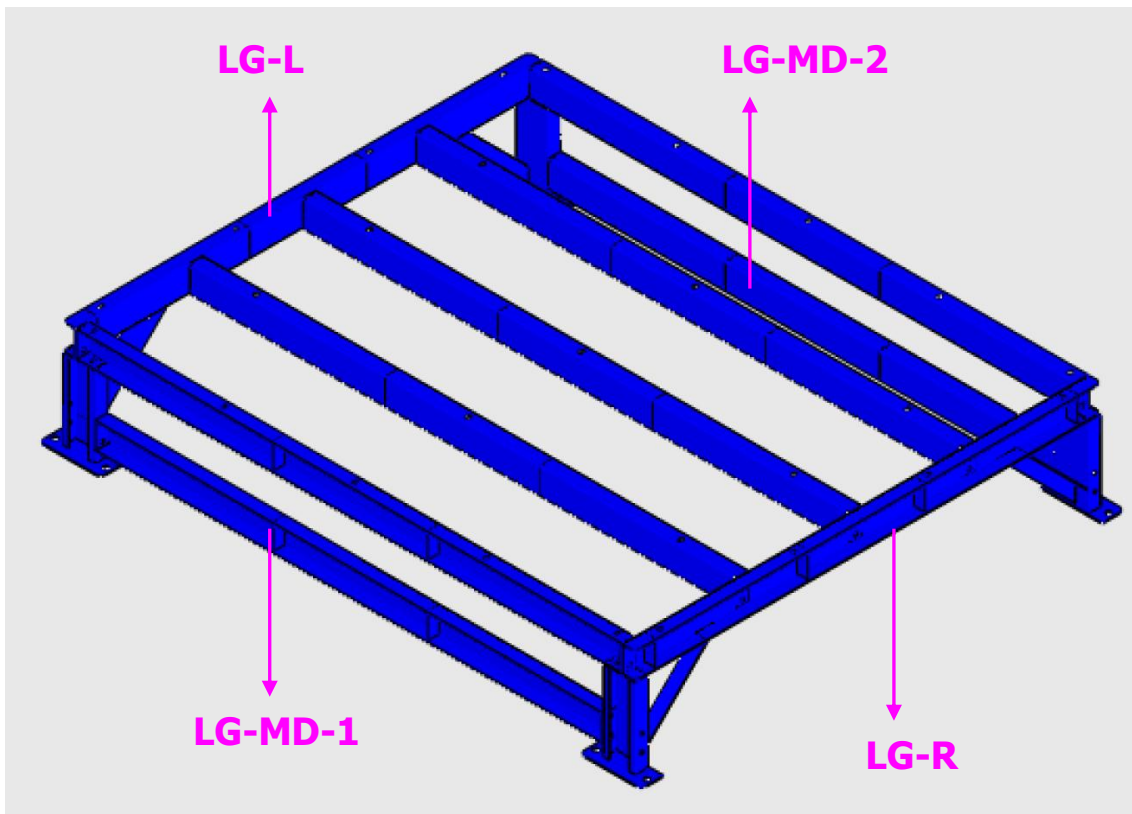
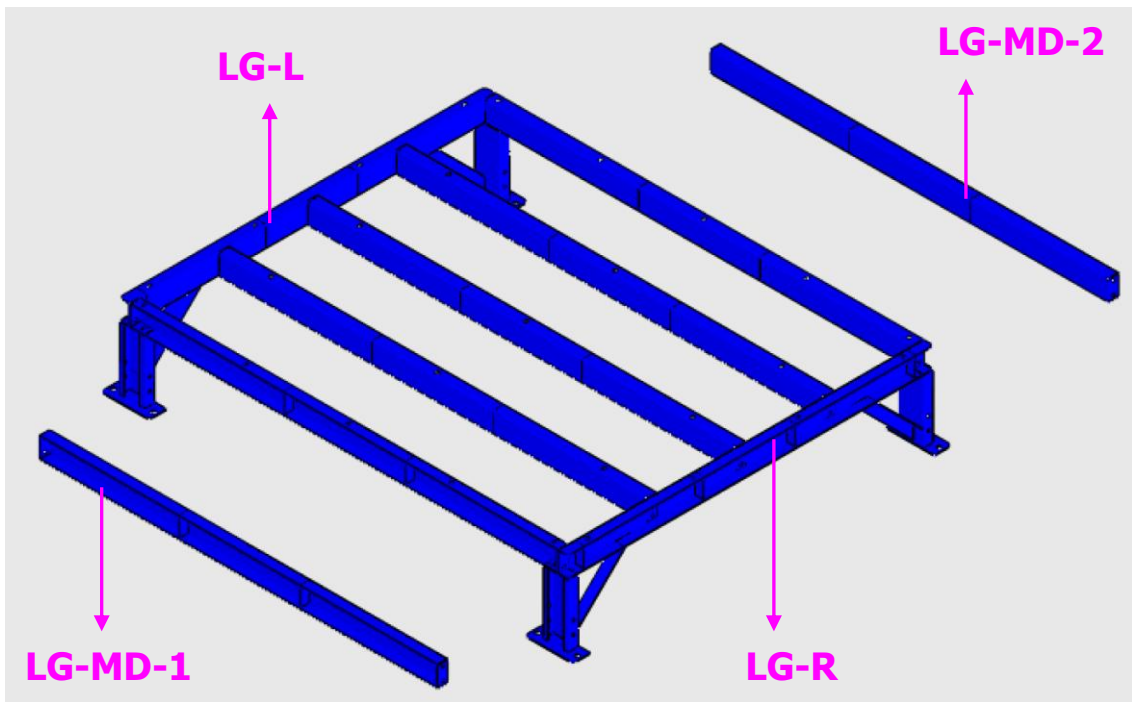
✚ Installations for the unit for SDC-20-16MDF.

- Take out the number: **LG-MD-1** and **LG-MD-2**.
- Fasten **LG-MD-1** and **LG-MD-2** to **LG-L** and **LG-R** with:

Hardware 8				
Part name	Description	Photo	Q'ty	Grainger Model #
Hex Screw	1/2" x 1"		8	1YU61
Flat Washer	1/2" x OD25 x 2T		16	*1JY35
Hex Nut	1/2"		8	2FE67




(*) Hardware item at similar spec available locally.

✚ Installations for the unit for SDC-20-16MDF.



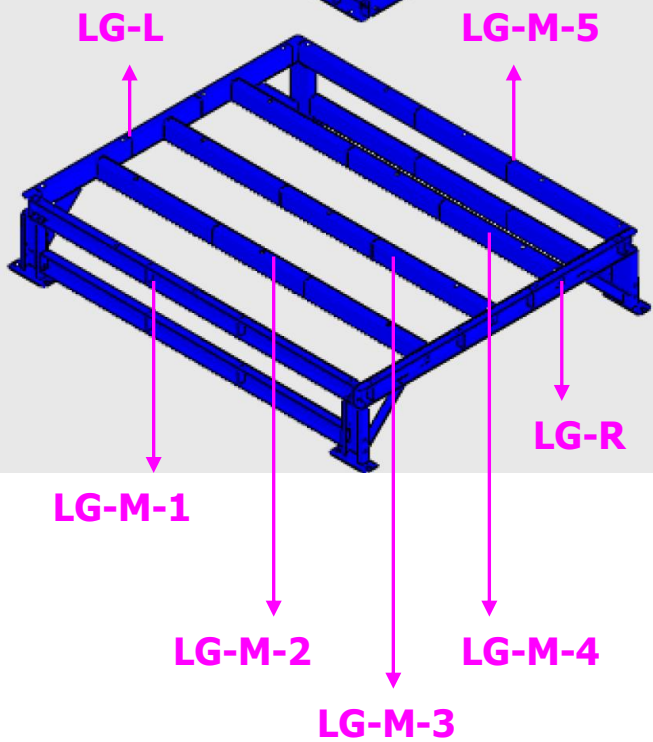
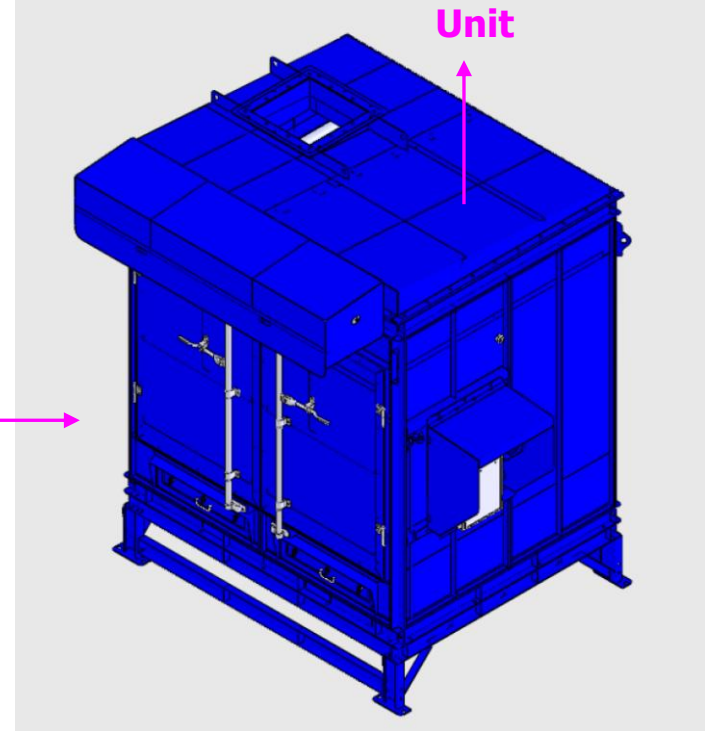
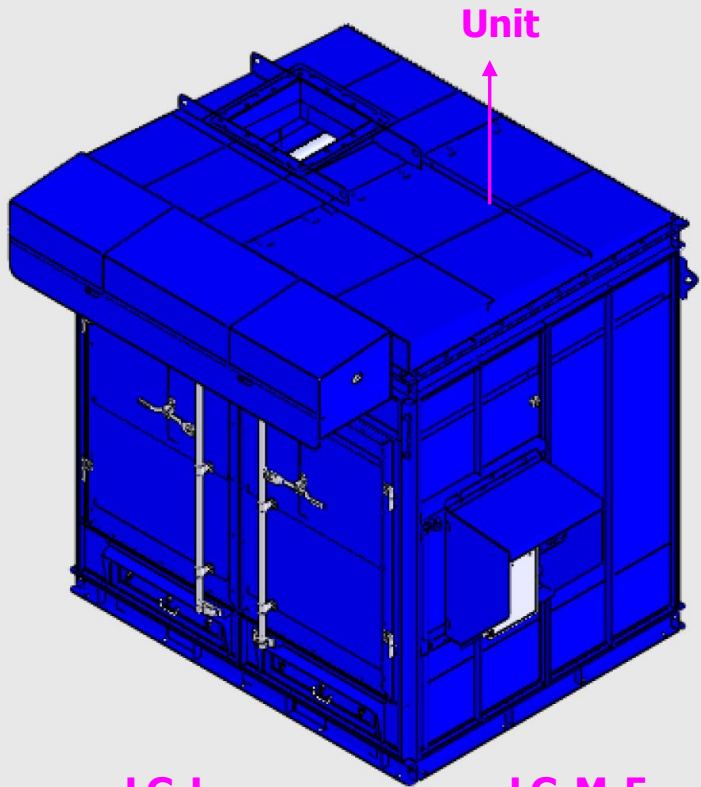
✚ Installations for the unit for SDC-20-16MDF.

- Fasten **unit** to **LG-L**, **LG-M-1~5** and **LG-R** with:

Hardware 9				
Part name	Description	Photo	Q'ty	Grainger Model #
Hex Screw	1/2" x 1"		28	1YU61
Flat Washer	1/2" x OD25 x 2T		54	*1JY35
Hex Nut	1/2"		28	2FE67

(*) Hardware item at similar spec available locally.

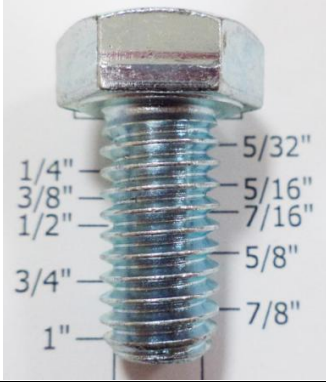



✦ Installations for the unit for SDC-20-16MDF.



✦ Installations for the unit for SDC-20-16MDF.

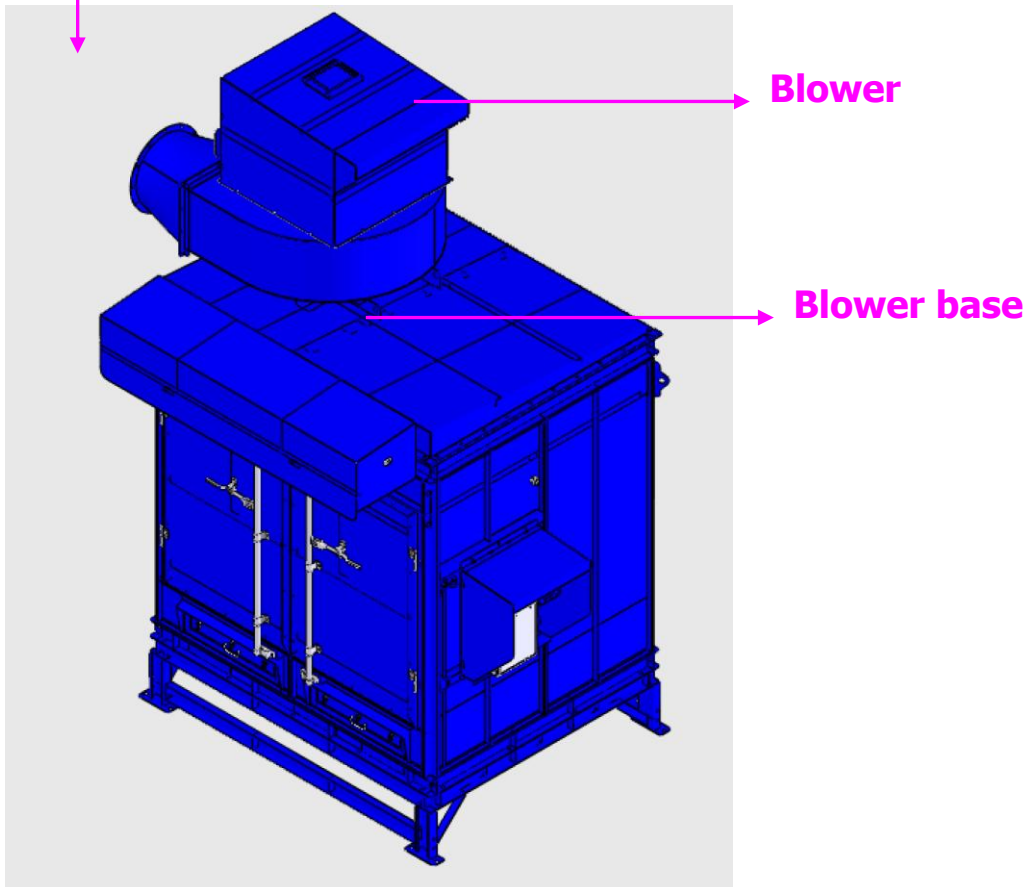
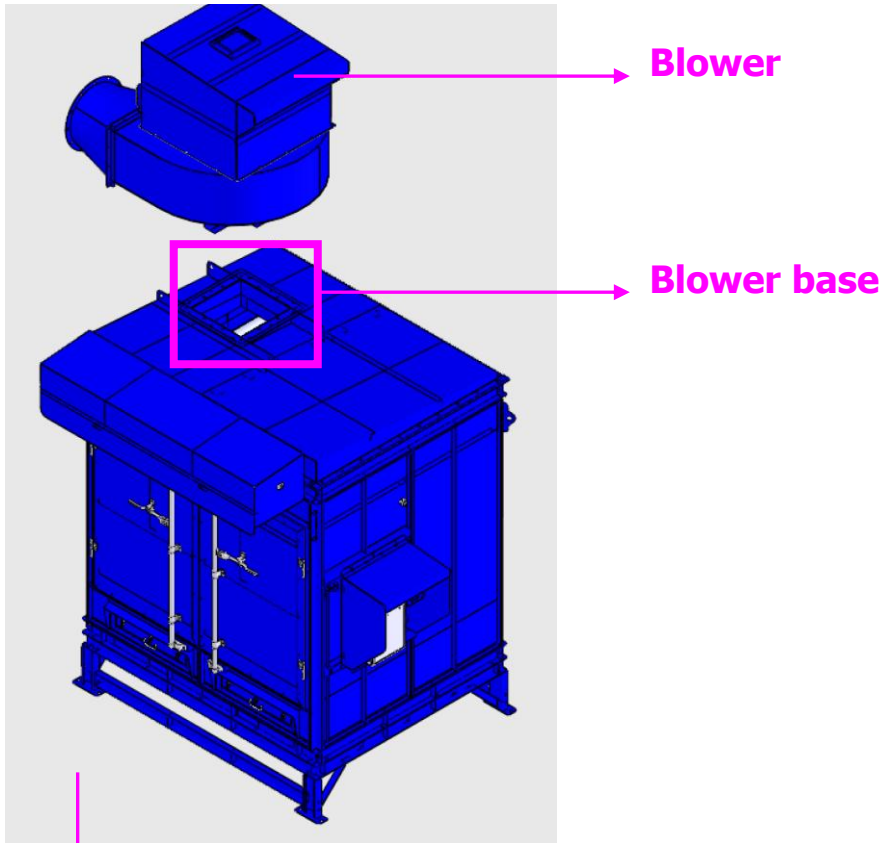
- Assemble **blower** to the base with:
-

Hardware 2

Part name	Description	Photo	Q'ty	Grainger Model #
Hex Screw	1/2" x 1"		12	1YU61
Flat Washer	1/2" x OD25 x 2T		24	*1JY35
Spilt Lock Washer	1/2"		12	6FYC3
Hex Nut	1/2"		12	2FE67



(*) Hardware item at similar spec available locally.

✦ Installations for the unit for SDC-20-16MDF.



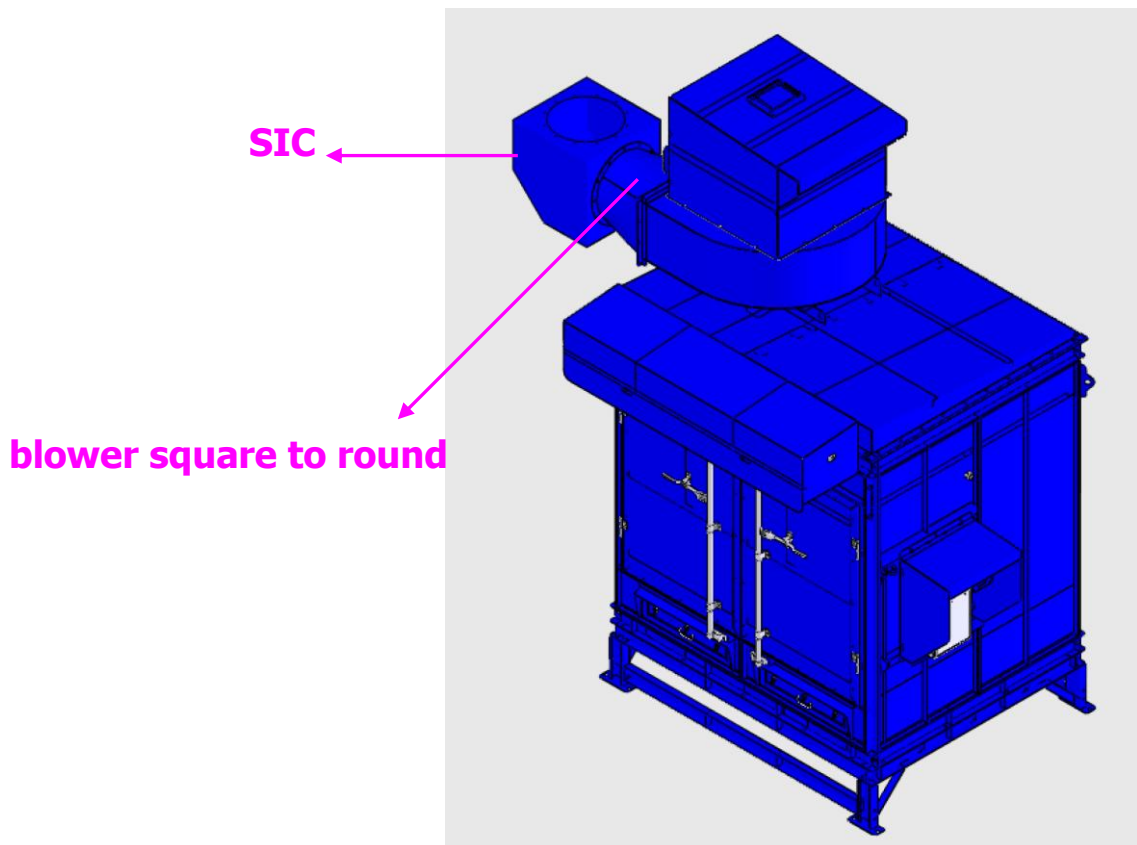
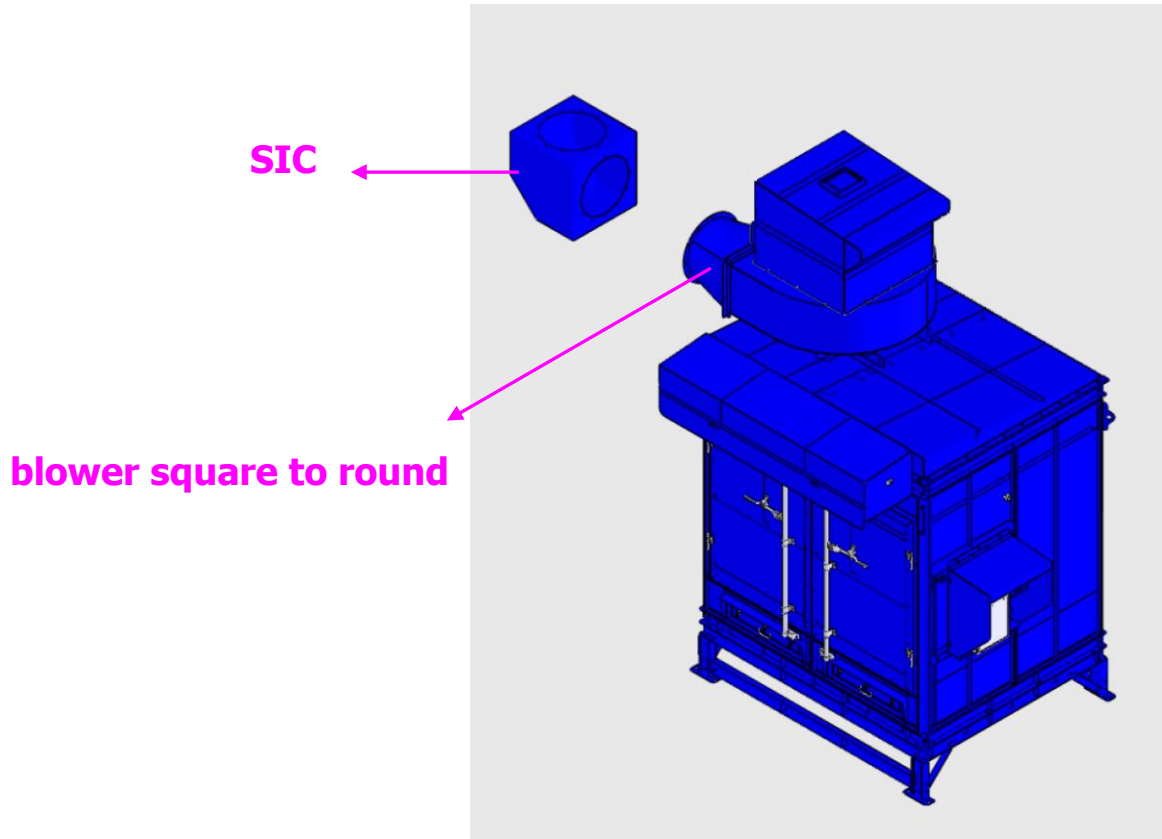
✚ Installations for the unit for SDC-20-16MDF.

- Take out the number: **SIC**.
- Fasten **SIC** to the **blower square to round** with:

Hardware 5				
Part name	Description	Photo	Q'ty	Grainger Model #
Hex Screw	3/8" x 1"		12	1YU43
Flat Washer	3/8" x OD23 x 2T		12	*1JY33



(* Hardware item at similar spec available locally.

✦ Installations for the unit for SDC-20-16MDF.



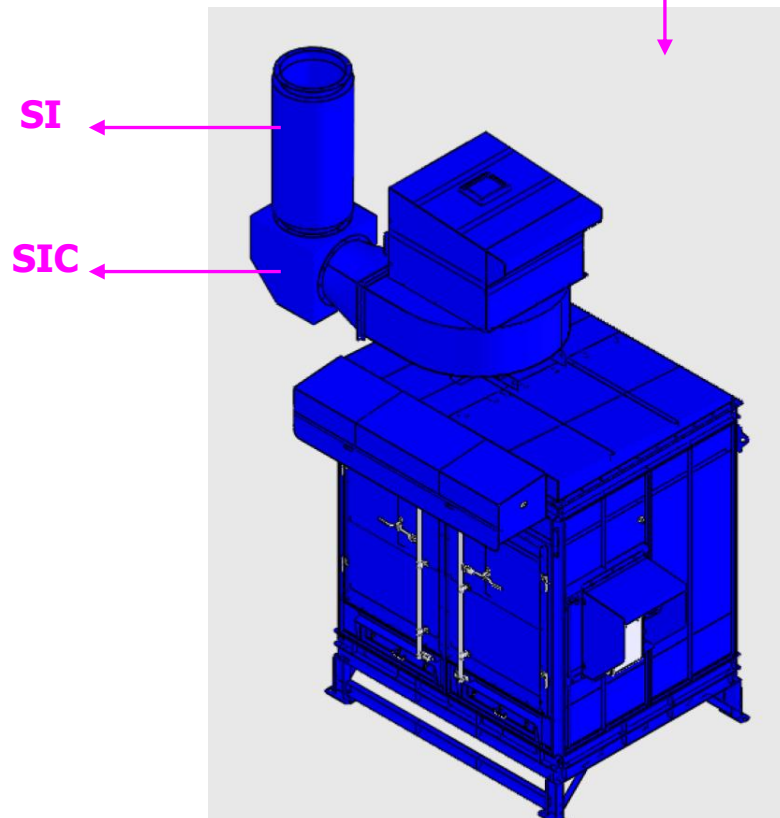
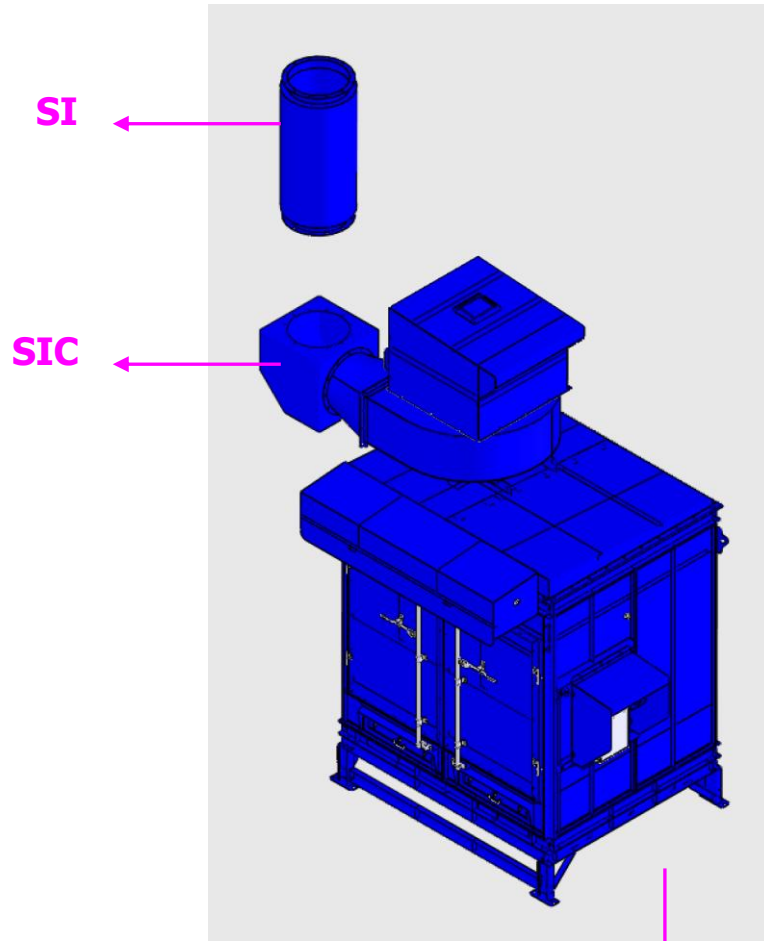
✚ Installations for the unit for SDC-20-16MDF.

- Take out the number: **SI**.
- Fasten **SI** to **SIC** with:

Hardware 6				
Part name	Description	Photo	Q'ty	Grainger Model #
Hex Screw	3/8" x 1"		12	1YU43
Flat Washer	3/8" x OD23 x 2T		12	*1JY33

(* Hardware item at similar spec available locally.

✦ Installations for the unit for SDC-20-16MDF.



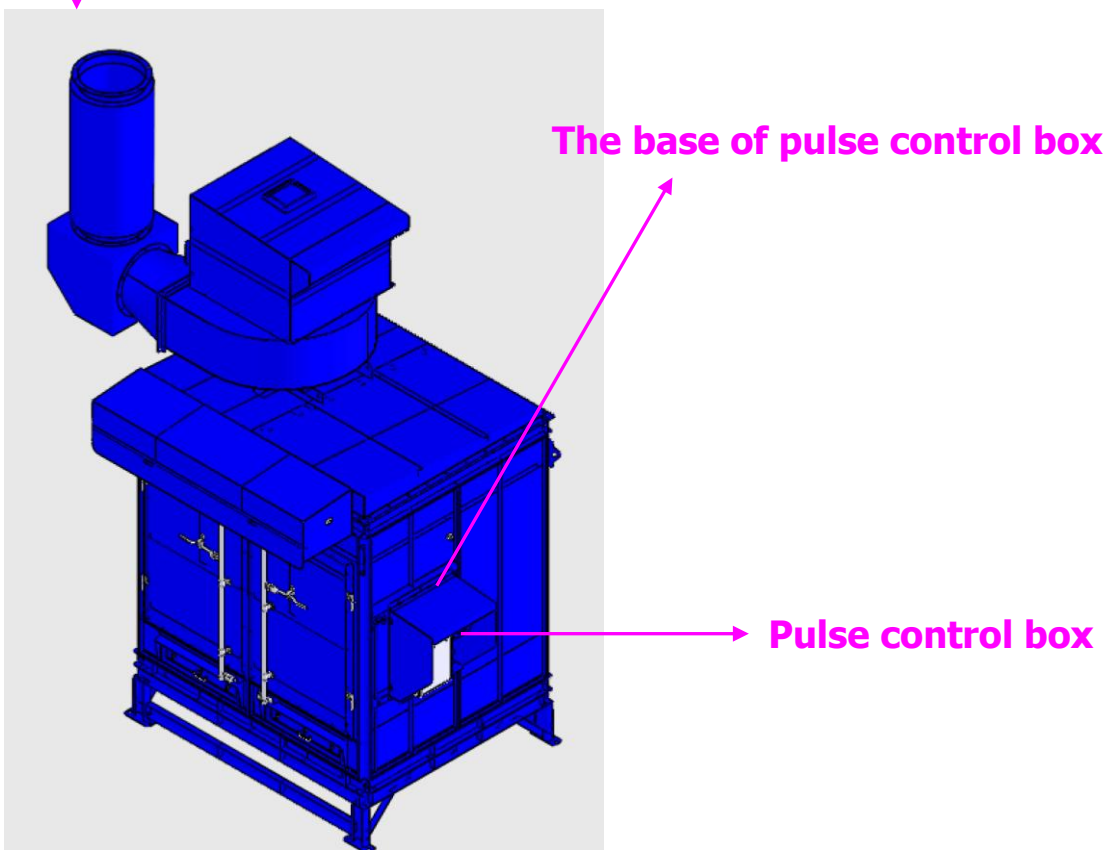
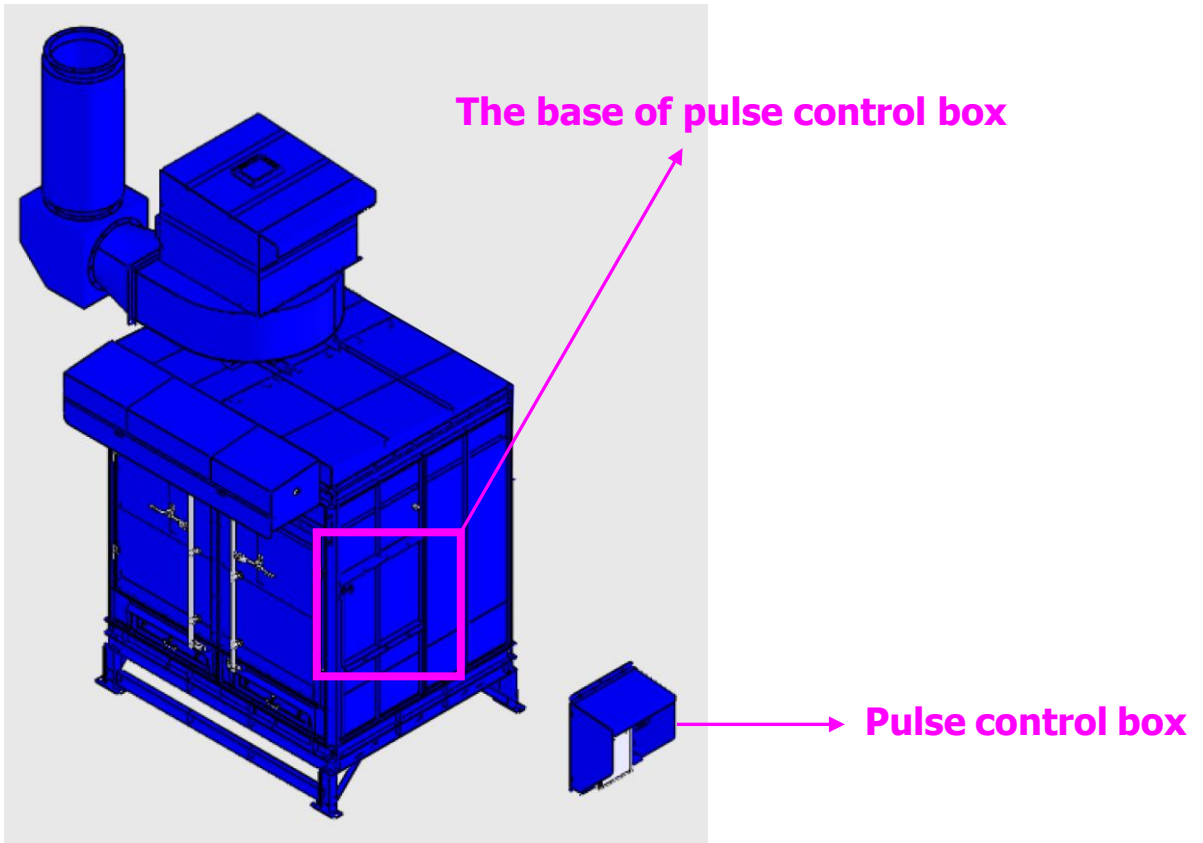
✚ Installations for the unit for SDC-20-16MDF.

- Take out **Pulse control box**.
- Assemble **Pulse control box** to the base with:

Hardware 3				
Part name	Description	Photo	Q'ty	Grainger Model #
Hex Screw	3/8" x 3/4"		6	1YU42
Flat Washer	3/8" x OD23 x 2T		6	*1JY33

(* Hardware item at similar spec available locally.

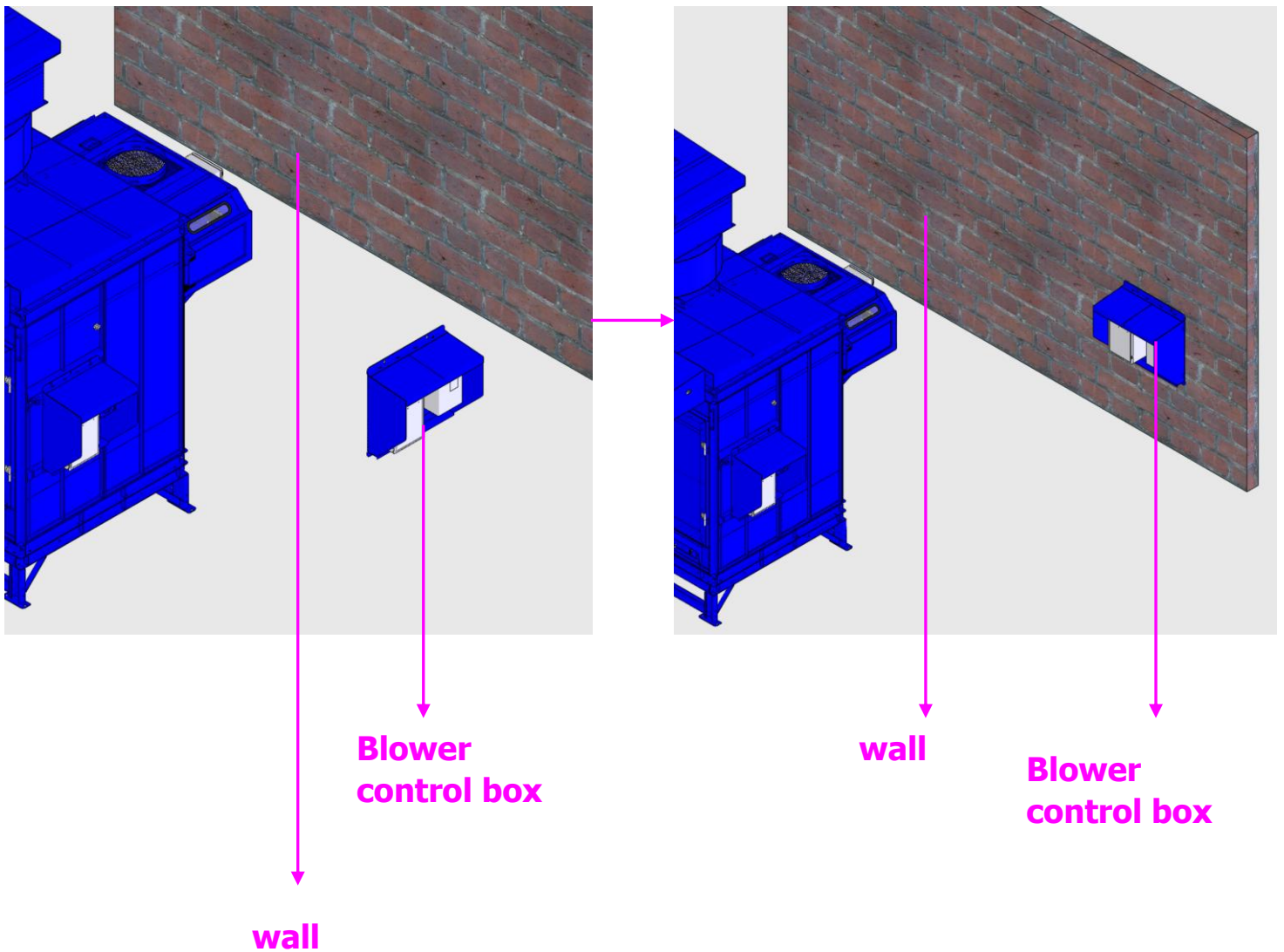
✚ Installations for the unit for SDC-20-16MDF.



✦ Installations for the unit for SDC-20-16MDF.

- Assemble the base of blower control box to wall with:

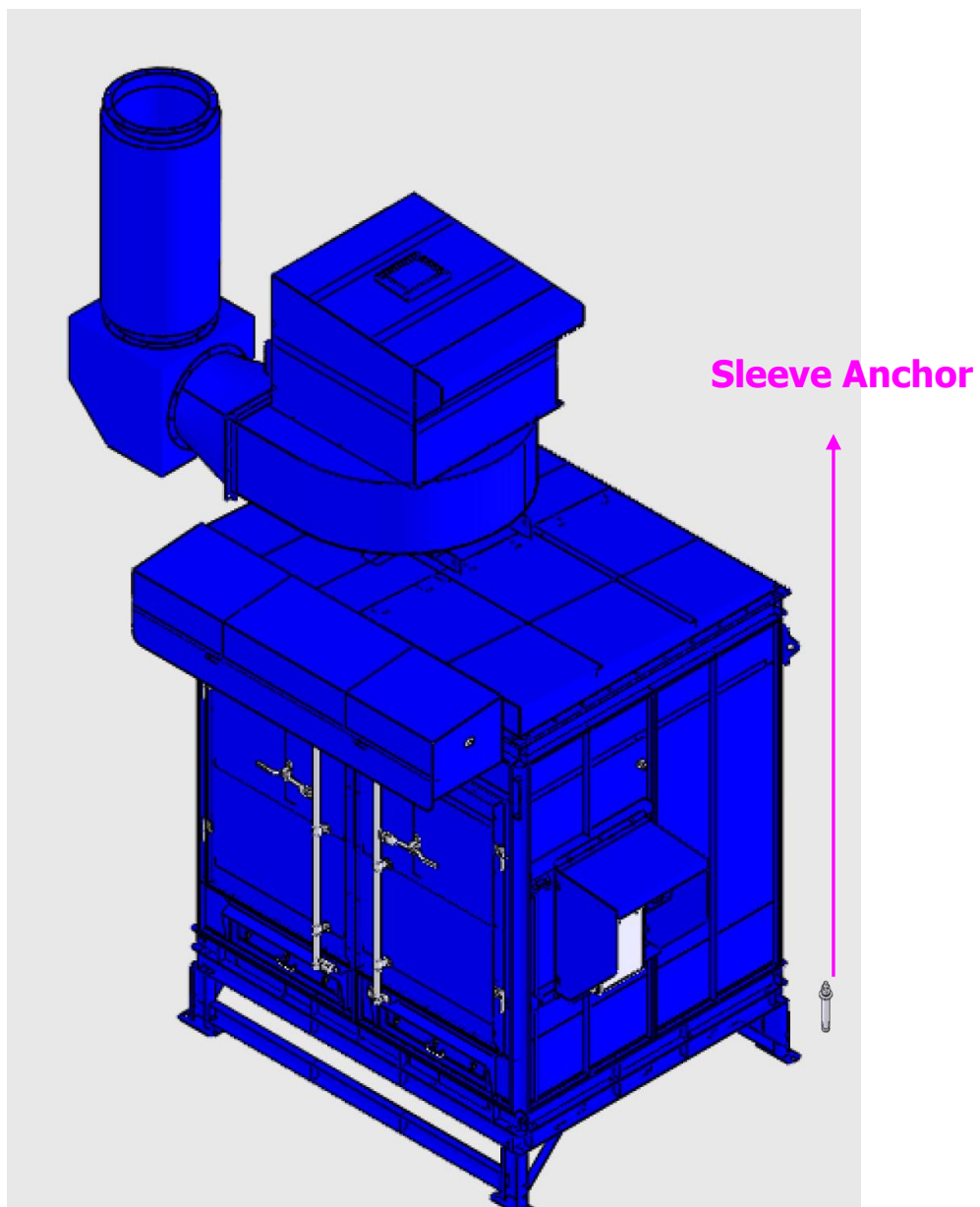
Hardware 10			
Part name	Description	Q'ty	Grainger Model #
Sleeve Anchor	3/8" x 3"	4	3A477



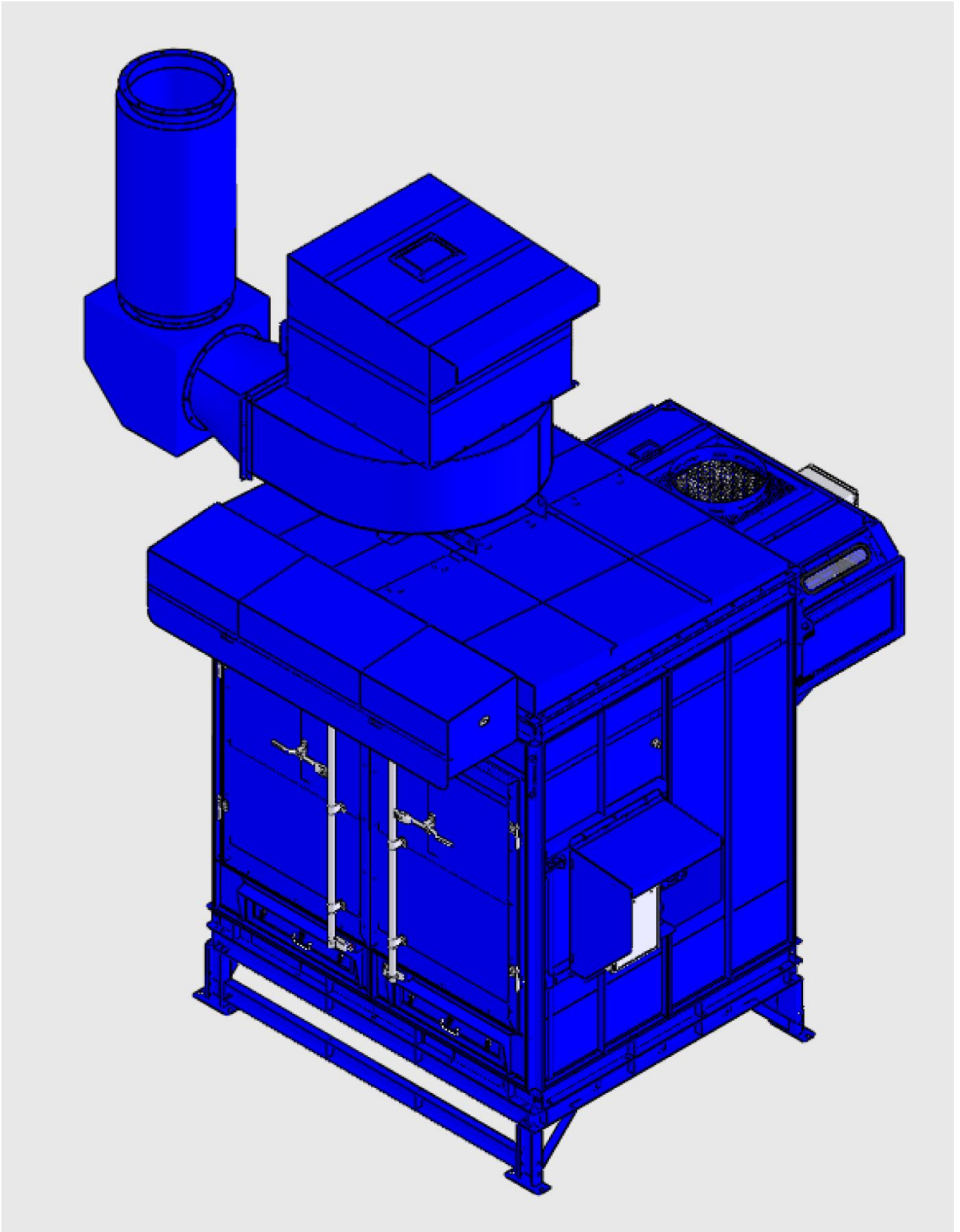
✚ Installations for the unit for SDC-20-16MDF.

- Fasten **Sleeve Anchor** for legs to field bolted if needed.
Assembly completed.

Hardware 1			
Part name	Description	Q'ty	Grainger Model #
Sleeve Anchor	3/4" x 3"	4	2G524





✦ Installations for the RM-6000 to SDC-20-16MDF.



✚ Installations for the RM-6000 to SDC-20-16MDF.

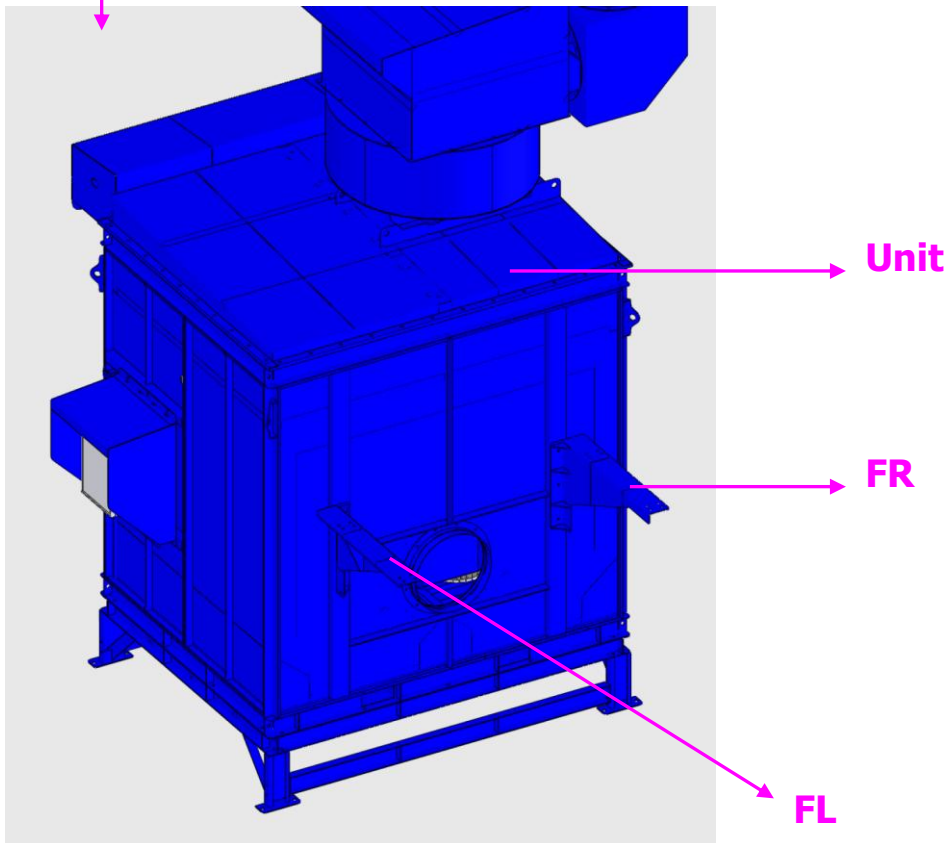
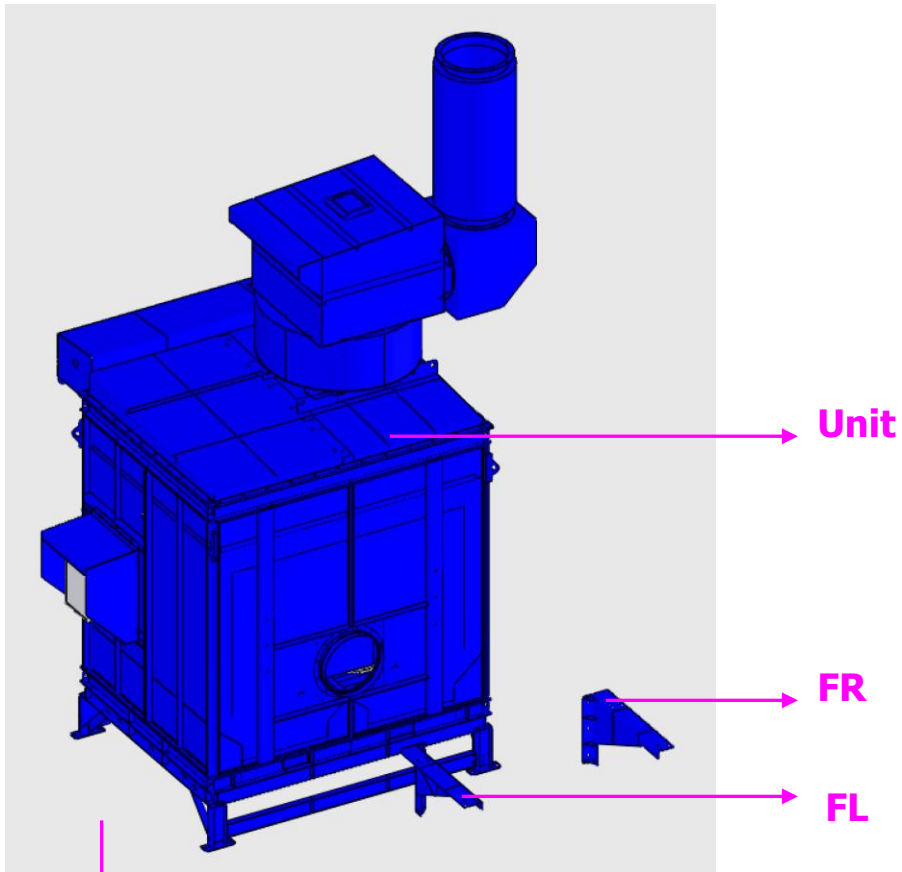
- Take out the number: **FL** and **FR**.
- Fasten **FL** and **FR** to **SDC-20-16MDF** with:

Hardware 12

Part name	Description	Photo	Q'ty	Grainger Model #
Hex Screw	1/2" x 1"		6	1YU61
Flat Washer	1/2" x OD25 x 2T		6	*1JY35

(* Hardware item at similar spec available locally.

✦ Installations for the RM-6000 to SDC-20-16MDF.

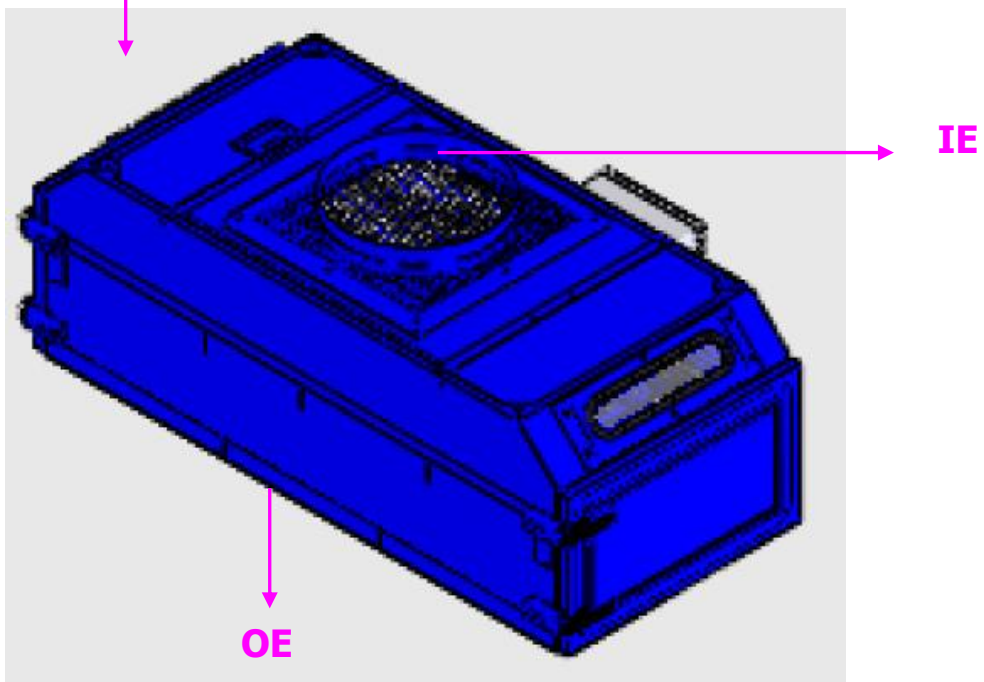
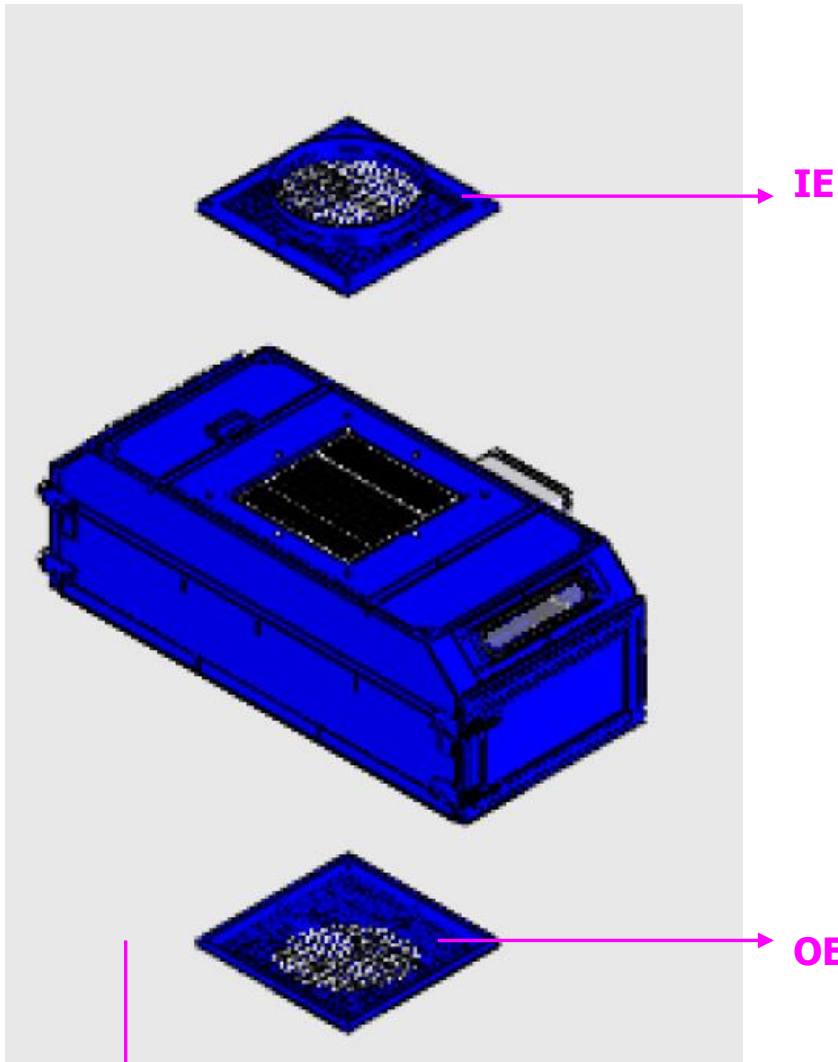


✚ Installations for the RM-6000 to SDC-20-16MDF.

- Take out the number: **IE** and **OE**.
- Fasten **IE** and **OE** to **RM-6000** with:

Part name	Description	Photo	Q'ty	Grainger Model #
Hex Screw	5/16" x 1-1/2"		16	1YU36
Flat Washer	5/16 xOD23 x 2T		16	*1JY31

✦ Installations for the RM-6000 to SDC-20-16MDF.



✚ Installations for the RM-6000 to SDC-20-16MDF.

- Assembled **RM-6000** to **FL** and **FR** with:

Hardware 5

Part name	Description	Photo	Q'ty	Grainger Model #
Hex Screw	3/8" x 1"		16	1YU43
Flat Washer	3/8" x OD23 x 2T		16	*1JY33
Lock Washer	3/8"		16	6DYV1

(*) Hardware item at similar spec available locally.

✦ Installations for the RM-6000 to SDC-20-16MDF.

