



Date: March 27, 2012

To: Johnson Controls

Project:

Attn:

Recommended Equipment:

(1) SDC-20-16MDF Cartridge Collector Drawer Type w/ Feet

- 8,500CFM @ 8" SP
- normal 12" x 52"L polyester cartridges
- silencer
- VFD

(1) Roll Media: RM-6000

Avani Environmental Intl. Inc.
95 Cypress Drive
Youngsville, NC 27596
www.avanienvironmental.com

Phone: (919) 570-2862
Fax: (919) 570-2863
Email: info@avanienvironmental.com
www.weldingbooths.com

The drawings, AutoCAD, 3-D Models, and specifications are the property of Avani Environmental Intl. Inc. (AE) and may not be reproduced, distributed, modified, or otherwise used, except provided herein, without the express written permission of AE.

DO NOT SCALE

IF IN DOUBT ASK



Revisions			
Rev	Description	Date	Approved

- SDC-20-16MDF SPECIFICATION -

- Direct Drive Blower (on the machine top)
- Motor: 20HP x 1 pc
- CFM: 8,500 ft3/min @ 8" SP
- Include:
 - UL Individual Control Boxes for Cartridge Collector and Blowers

- ***Inlet: dia. 450 mm (dia. 17.7")
- Cartridge Filter: Dia. 325mm x 1320mm x 16pcs (Dia. 12.8" x 52" x 16pcs)
- Material: Polyester with TEFLON coating.
- Filter Area: 19m² x 16 = 304m² (3271.04 ft²)
- Pleat Depth: 48mm

- Horizontal Positioned Filters,
- Continuous Welded Seams,
- Gasket and Latched Doors,
- Powder Coated Paint and
- Reverse Jet Pulse Cleaning
- Include:
 - Filter Chamber
 - Inlet Square Pipe (need dimensions)
 - Fan/motor combinations

- No. of Valves: 4
- Inlet Air: 4"
- Compressed Air Requirement: 90 PSI
- Compressed Air Reservoir: 15.8 gallon
- Dimension: 102.2" x 123.7" x 180.6" (2593.5 x 3140.5 x 4584.8mm)
- Construction: 13 Gauge for panel; 11 Gauge Steel Cabinet
- Max. Operating Temp.: 120°C
- Paint Color: Blue

- ***w/ Feet underneath the machine.
- ***1" connector welded to the right side of the collector when facing the unit.

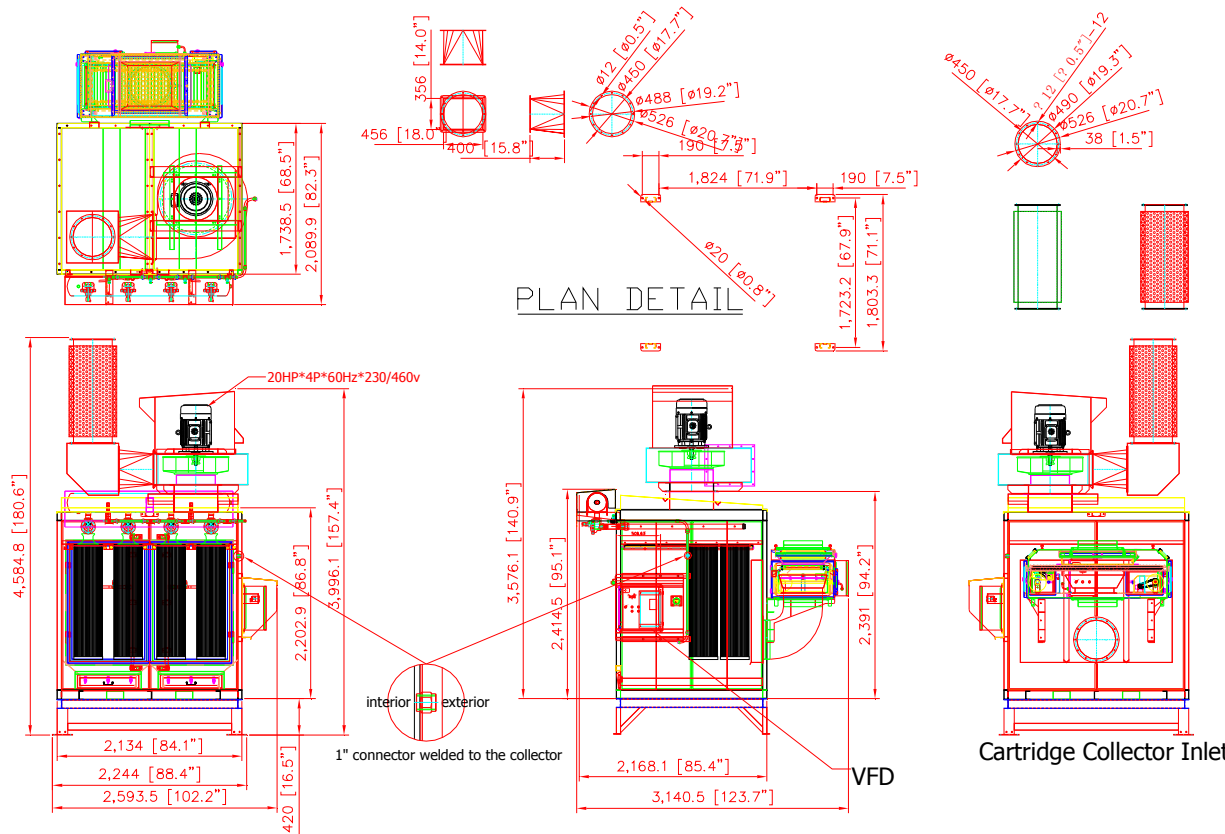
- ***w/ silencer.
- ***Roll Media: RM-6000
- ***VFD

- ***Pulse Control Box: run off of 120V / 60Hz/ 1-phase, no transformer inside the pulse box. Pulse Box located outside the building on the collector.

- ***Blower Control Box 460V / 60Hz / 3-phase, with transformer. Blower box located inside the building.

Silencer Inlet & Outlet
Cartridge Collector Inlet

Blower Outlet



AVANI ENVIRONMENTAL INTL. INC. Sales Department
95 Cypress Drive
Youngsville, NC 27596

(919) 570-2862
info@avanienvironmental.com

Drawn by:	Date	Name	Part Number:
Checked by:	2012-03-27	***	SDC-20-16MDF

The drawings, AutoCAD, 3-D Models, and specifications are the property of Avani Environmental Intl. Inc. (AE) and may not be reproduced, distributed, modified, or otherwise used, except provided herein, without the express written permission of AE.

Title:	Cartridge Collector (drawer type) w Feet
--------	------------------------------------------

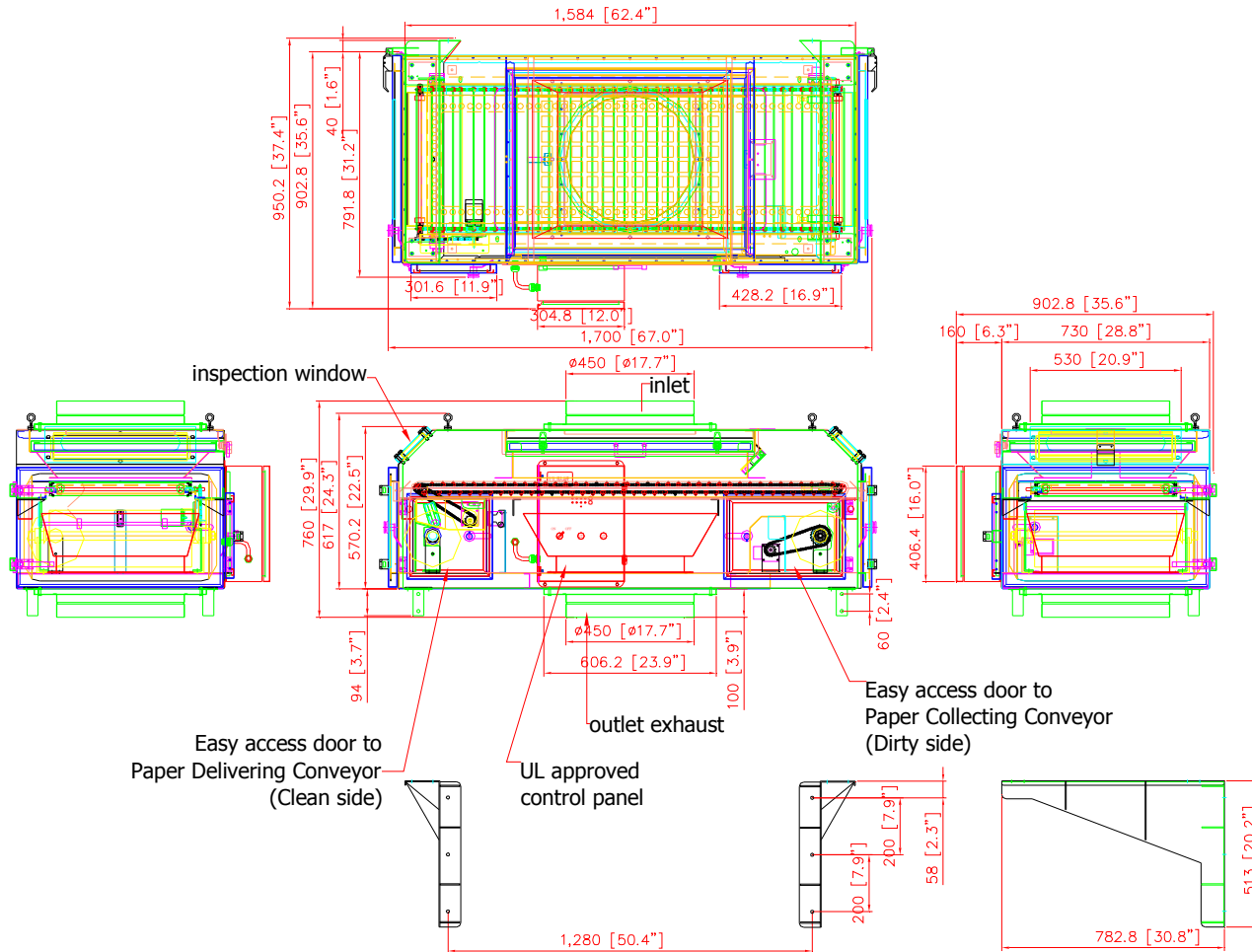
Size	Scale	Drawing Number:
A	1 = 1	SVL-1600-01

DO NOT SCALE

IF IN DOUBT ASK



Revisions			
Rev	Description	Date	Approved



- RM-6000 ROLL MEDIA SPECIFICATIONS -

Filtration Stages:

1. stainless net
 - spec: 635 x 842 mm (25" x 33.2")
 - required quantity: 1 pc
2. aluminum mesh
 - spec: 640 x 845 x 22 mm (25.2" x 33.3" x 0.87")
 - required quantity: 1 pc
3. roll media
 - required quantity: 1 pc

- Dimension: 67" x 37.4" x 29.9" (1700 x 950.2 x 760mm)
- Construction: 16 Gauge
- Max. Operating Temp.: 120°C
- Paint Color: powder coated Blue
- UL control box
- Inlet Port: dia. 17.7" x 1 hole
- Outlet Port: dia. 17.7" x 1 hole

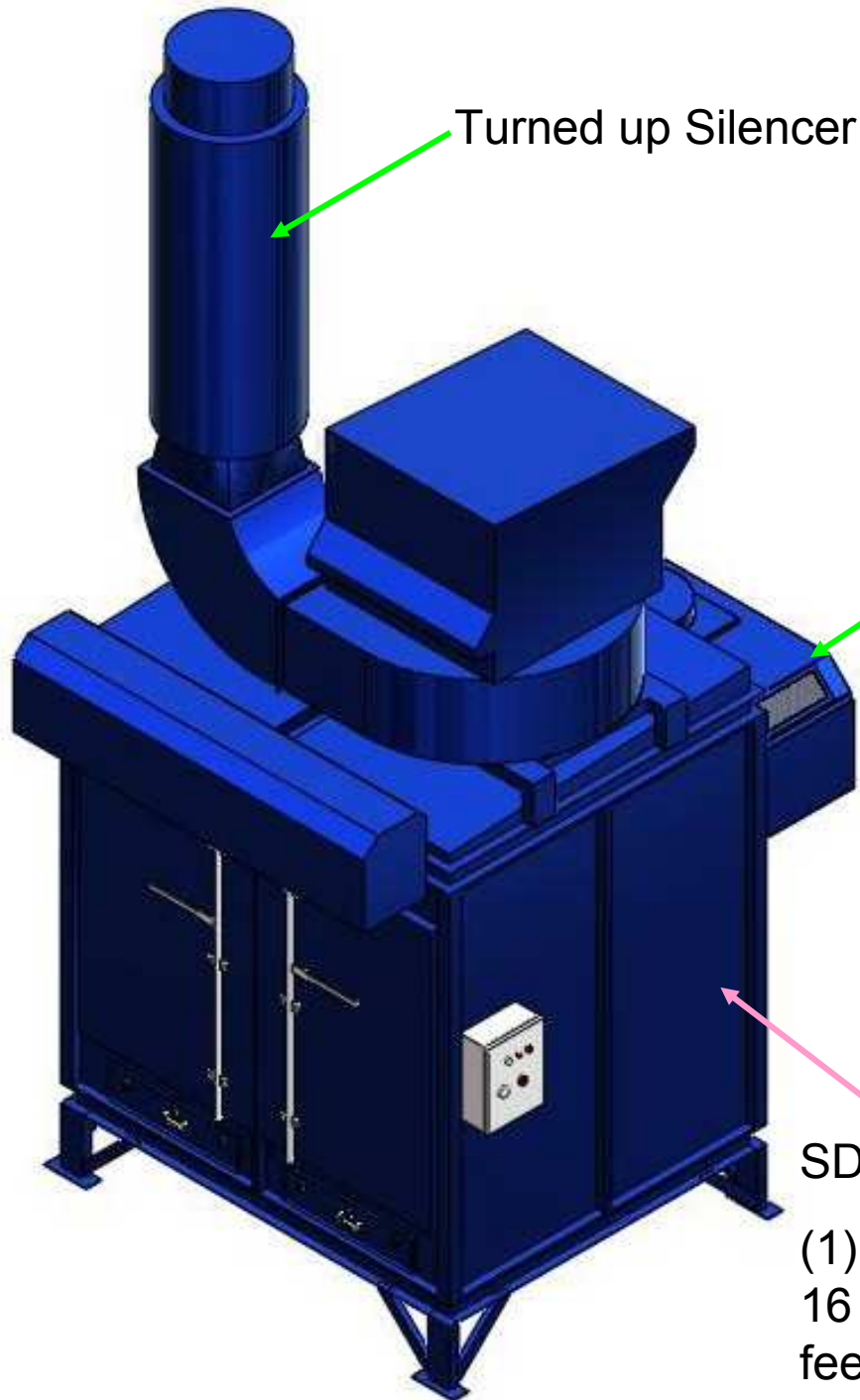
Optional Accessory

- optional wall-mounting brackets

AVANI ENVIRONMENTAL INTL. INC. Sales Department
 95 Cypress Drive
 Youngsville, NC 27596
 (919) 570-2862
 info@avanienvironmental.com

	Date	Name	Part Number:	Title:
Drawn by:	2011-02-16	***	**	Roll Media RM-6000
Checked by:				
The drawings, AutoCAD, 3-D Models, and specifications are the property of Avani Environmental Intl. Inc. (AE) and may not be reproduced, distributed, modified, or otherwise used, except provided herein, without the express written permission of AE.				Size A

Scale	Drawing Number:
1 = 16	***



Turned up Silencer

Roll Media: RM-6000

SDC-20-16MDF (8,500CFM @ 8"SP)
(1) 20HP top mounted fan on (1) large
16 cartridges collector (drawer type w/
feet, outside install)



