



Date: October 21, 2011

To: Los Angeles Trade Technical College

Project:

Attn:

Recommended Equipment:

(1) WB-6056 Welding Booth: 5'W x 6'D

- removable table
- additional partial front wall
- welding table
- front curtain: to source locally

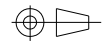
Avani Environmental Intl. Inc.
95 Cypress Drive
Youngsville, NC 27596
www.avanienvironmental.com

Phone: (919) 570-2862
Fax: (919) 570-2863
Email: info@avanienvironmental.com
www.weldingbooths.com

The drawings, AutoCAD, 3-D Models, and specifications are the property of Avani Environmental Intl. Inc. (AE) and may not be reproduced, distributed, modified, or otherwise used, except provided herein, without the express written permission of AE.

DO NOT SCALE

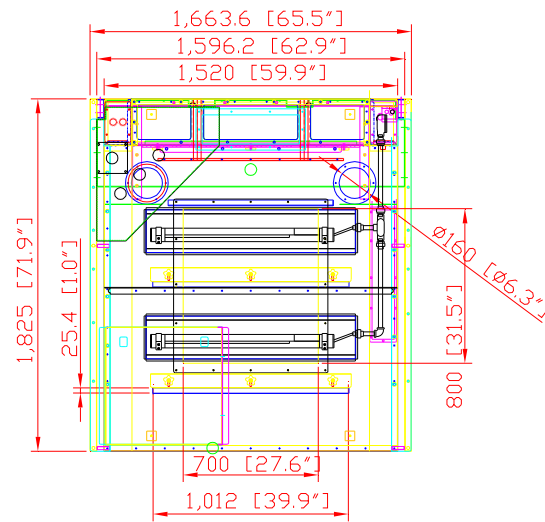
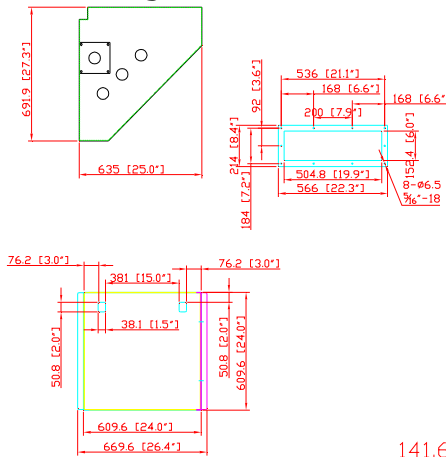
IF IN DOUBT ASK



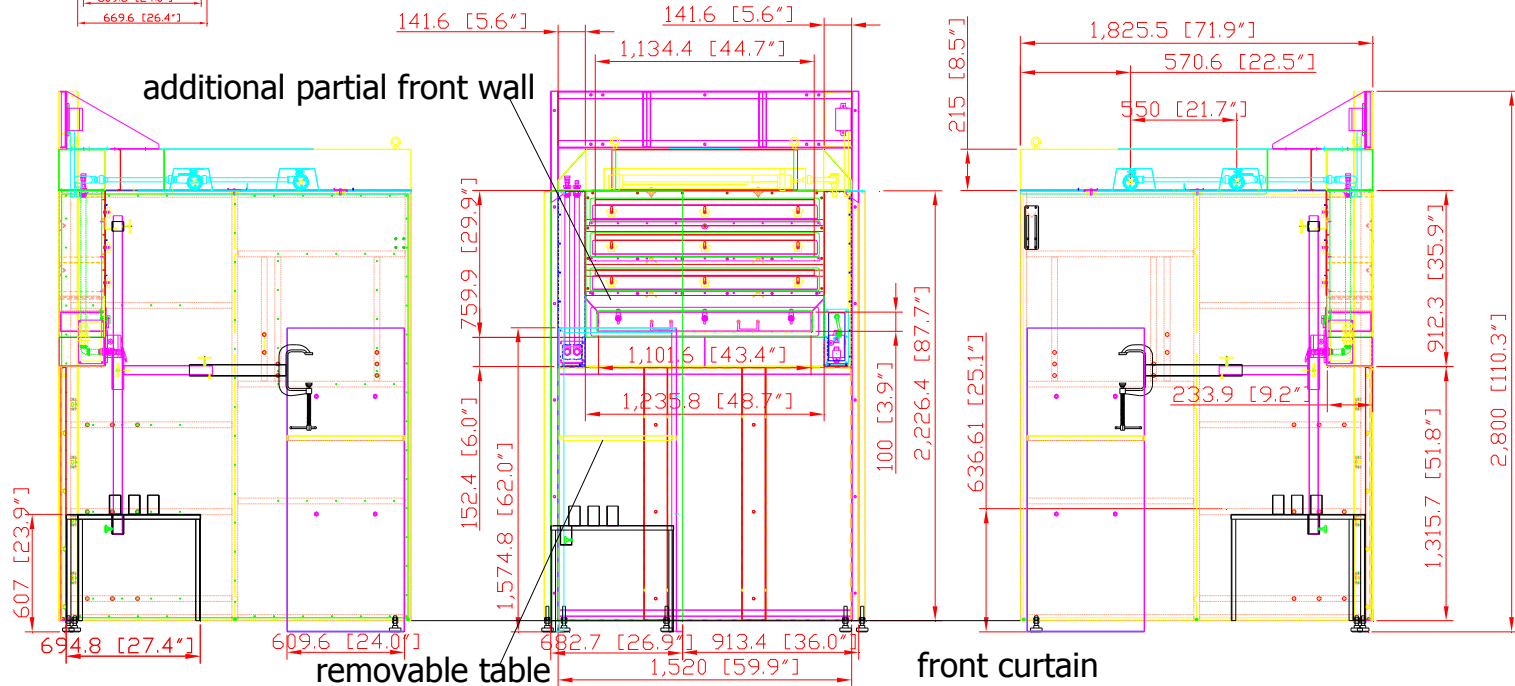
Revisions

Rev	Description	Date	Approved

welding table



additional partial front wall



removable table

front curtain

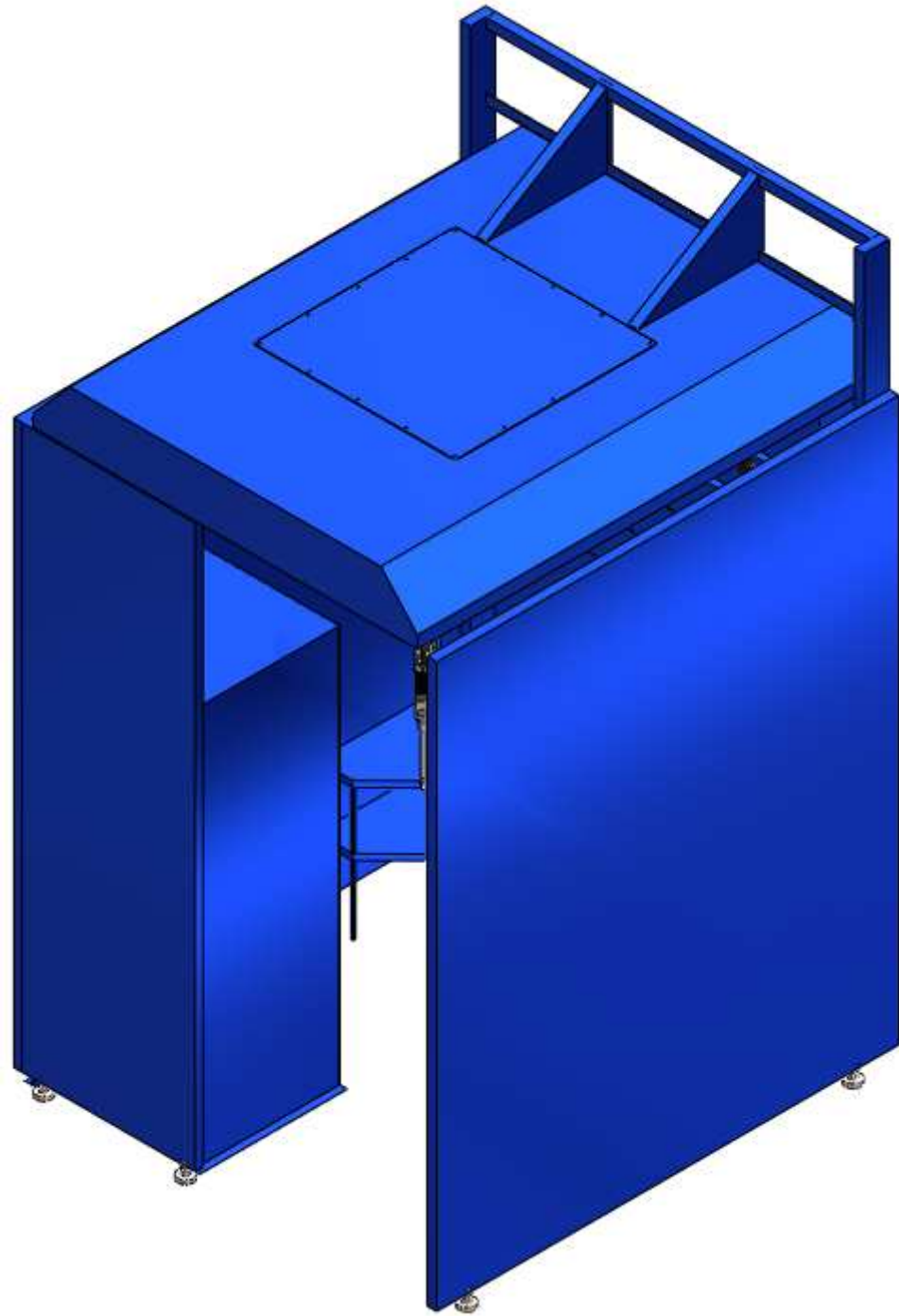
AVANI ENVIRONMENTAL INTL. INC. Sales Department
 95 Cypress Drive
 Youngsville, NC 27596

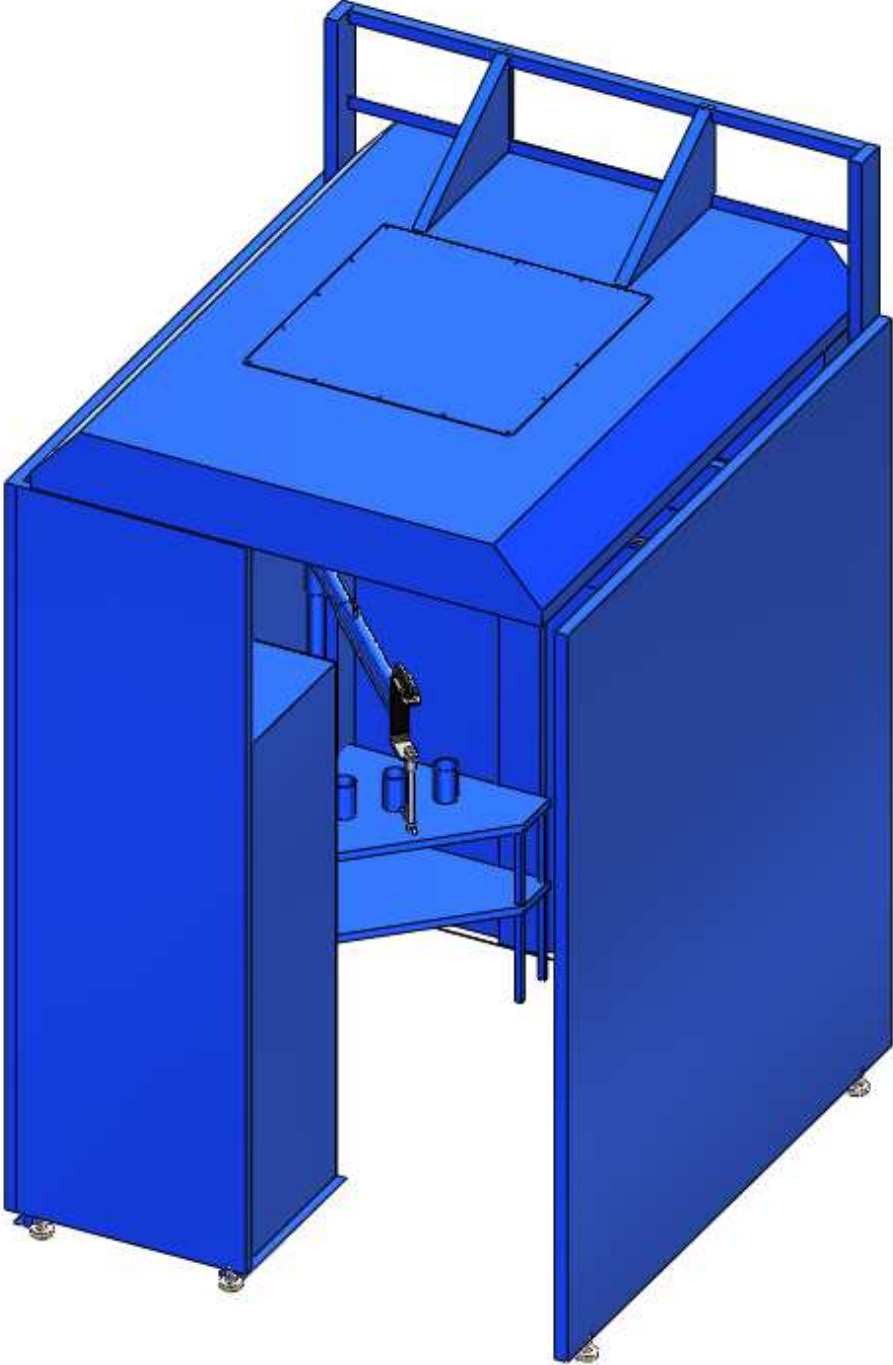
(919) 570-2862
 info@avanienvironmental.com

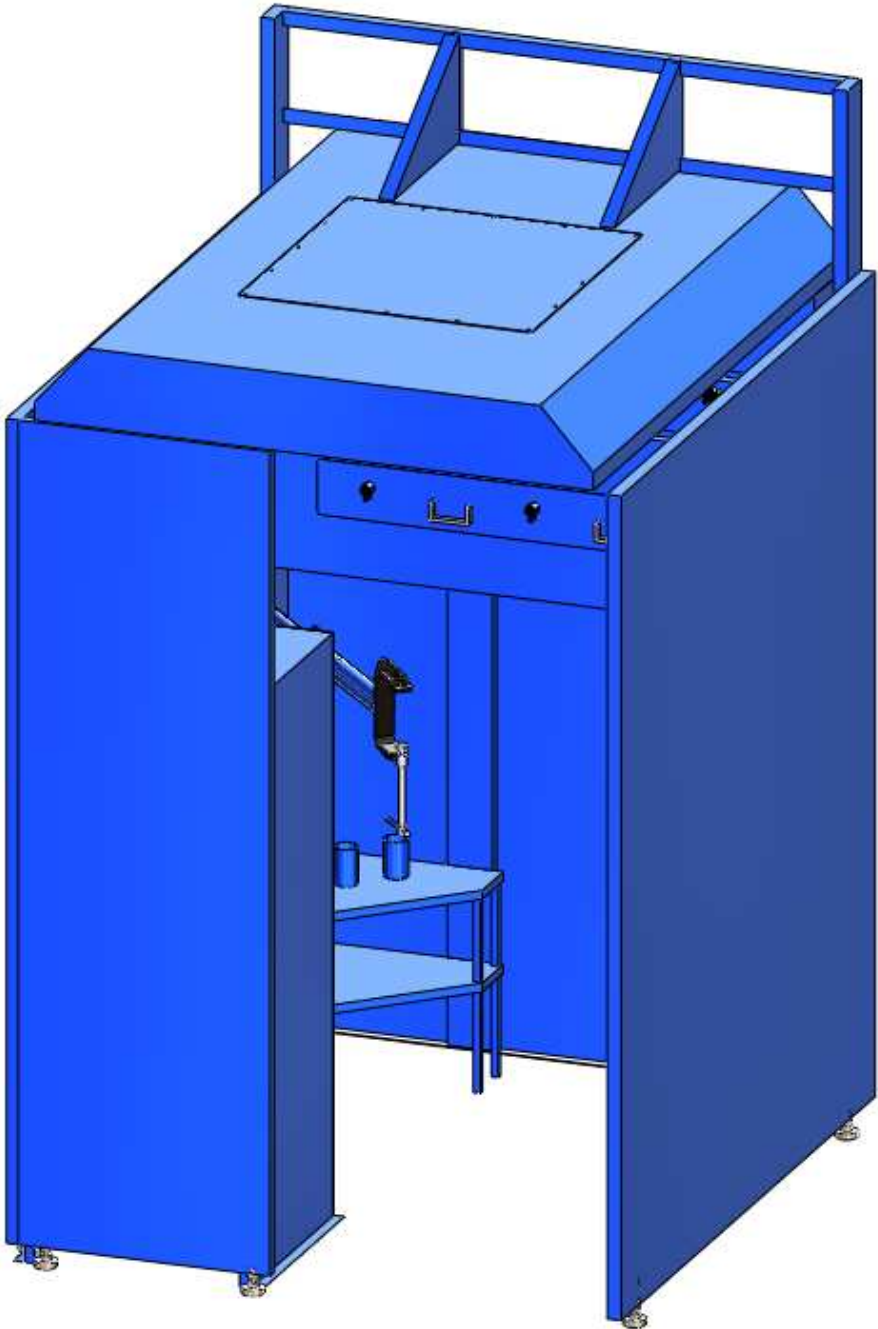
Drawn by:	Date	Name	Part Number:	Title:
Checked by:	2011-10-21	***	**	WB-6056

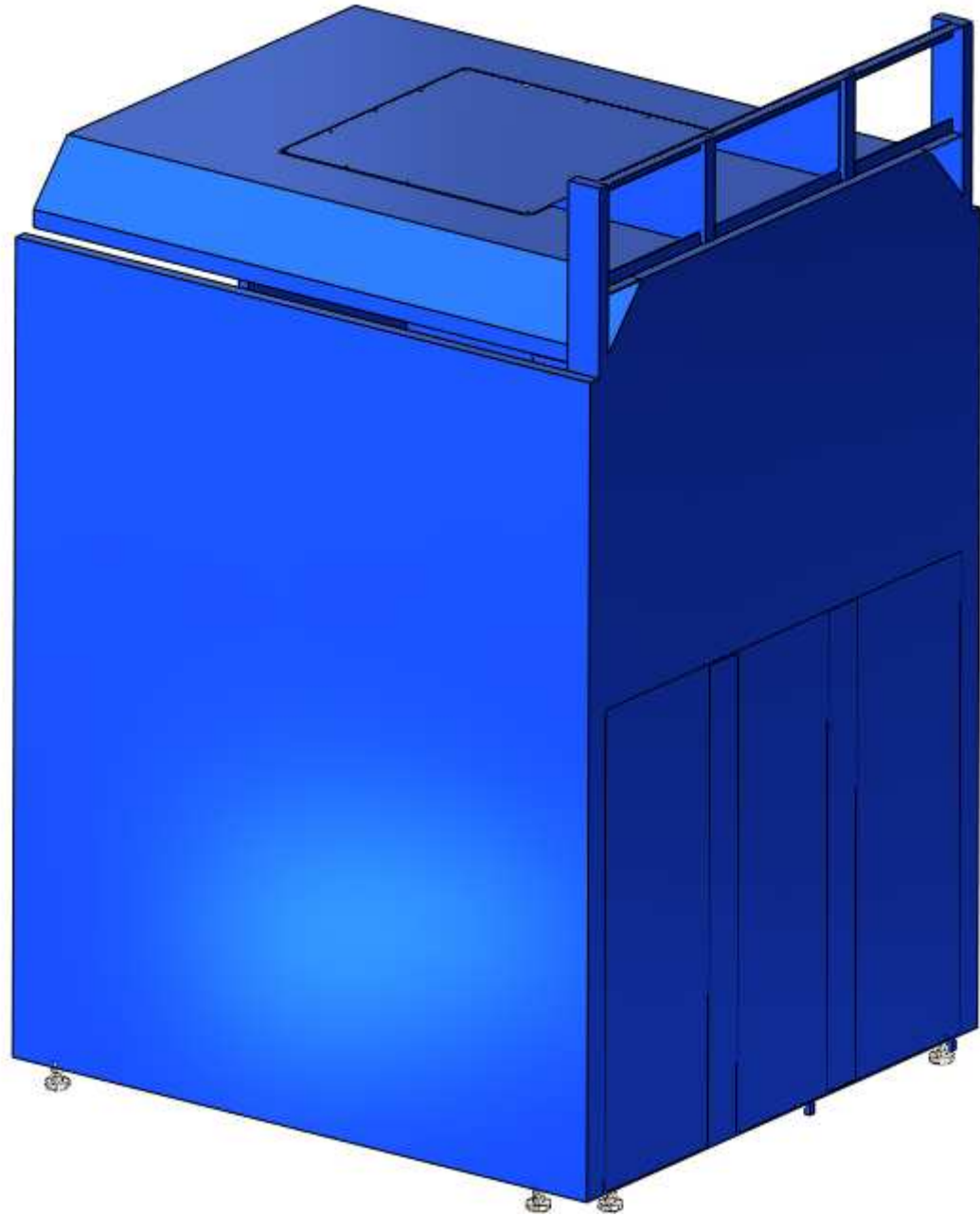
The drawings, AutoCAD, 3-D Models, and specifications are the property of Avani Environmental Intl. Inc. (AE) and may not be reproduced, distributed, modified, or otherwise used, except provided herein, without the express written permission of AE.

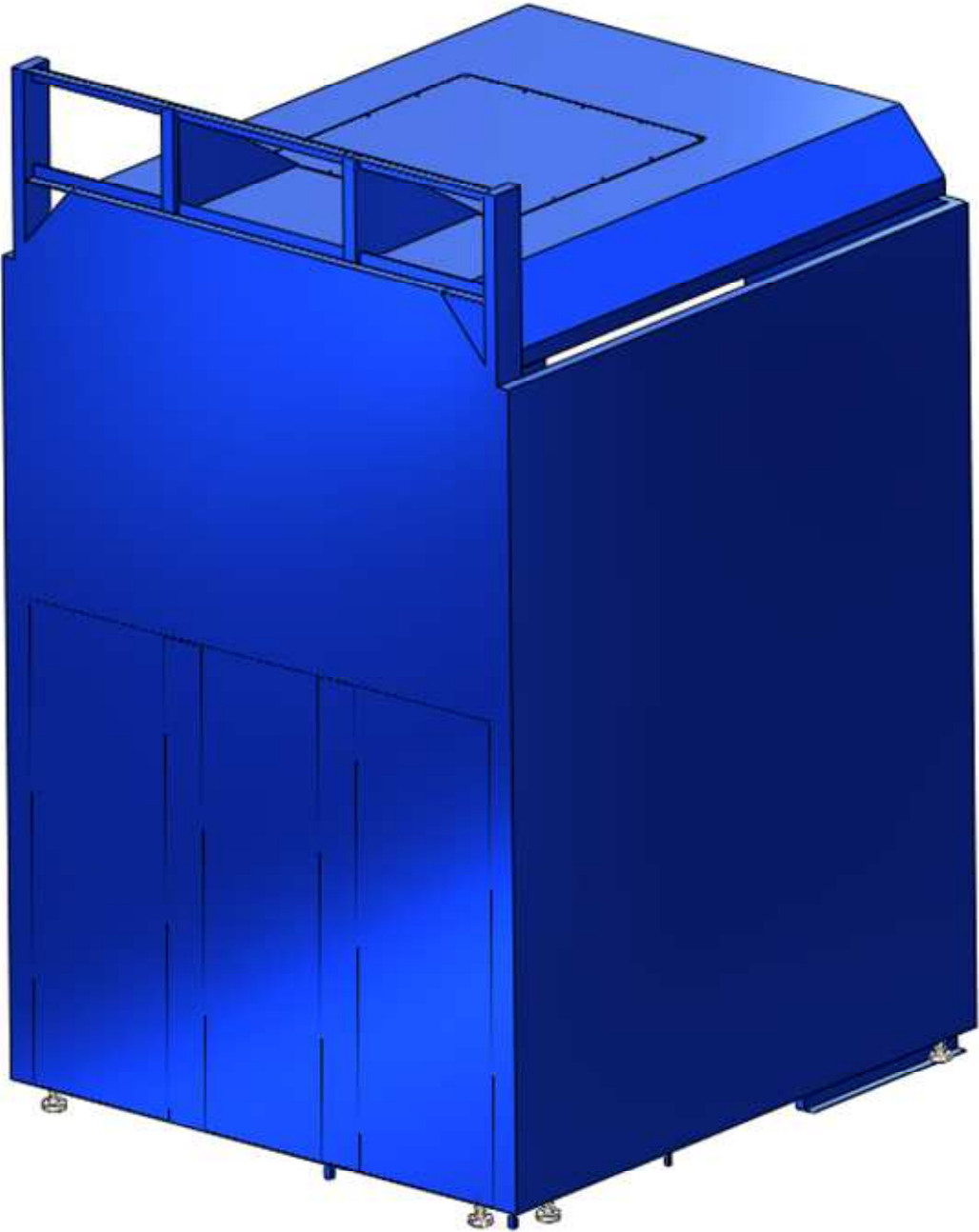
Size	Scale	Drawing Number:
A	1 = 35	WB-5-6P

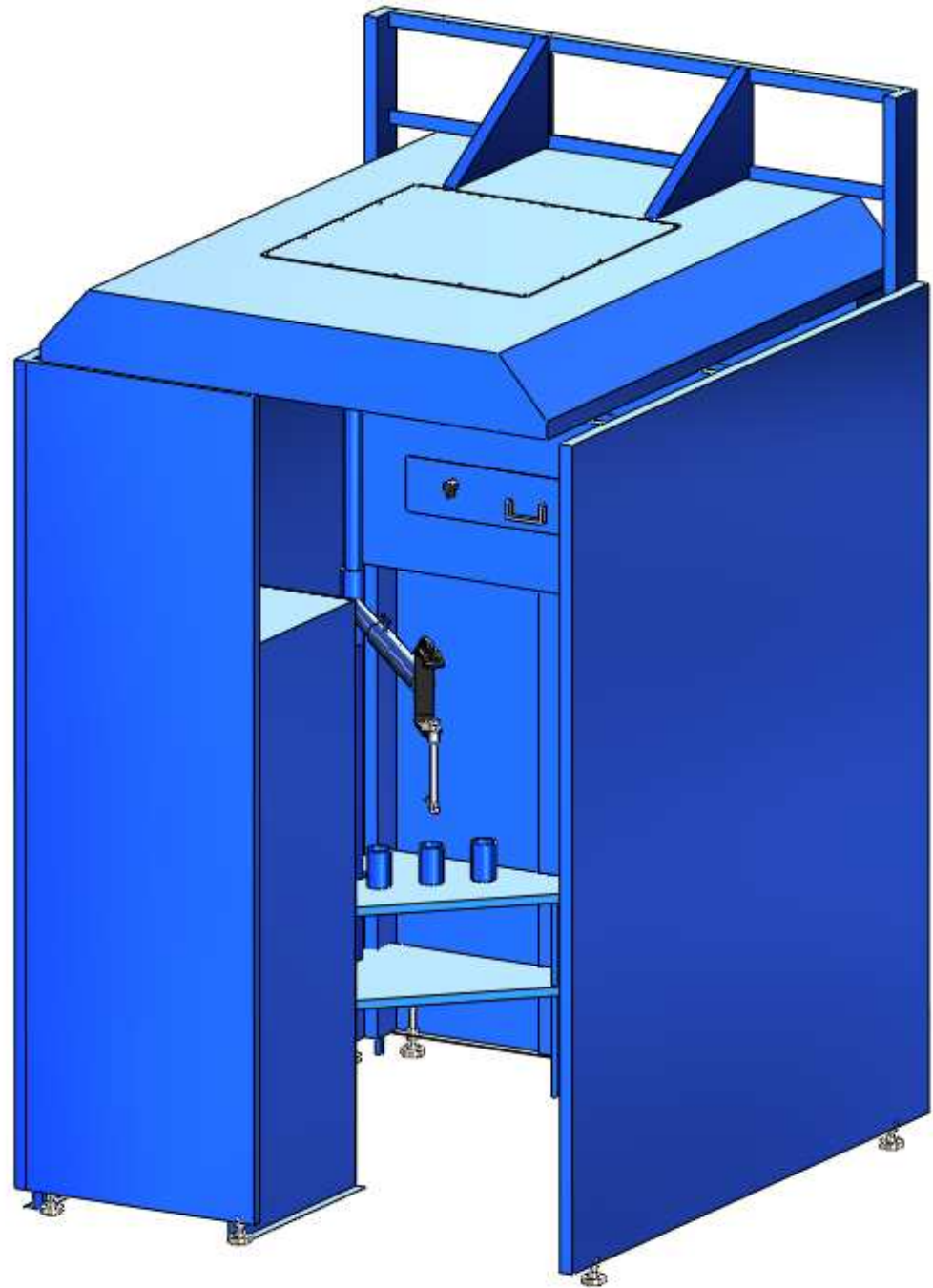


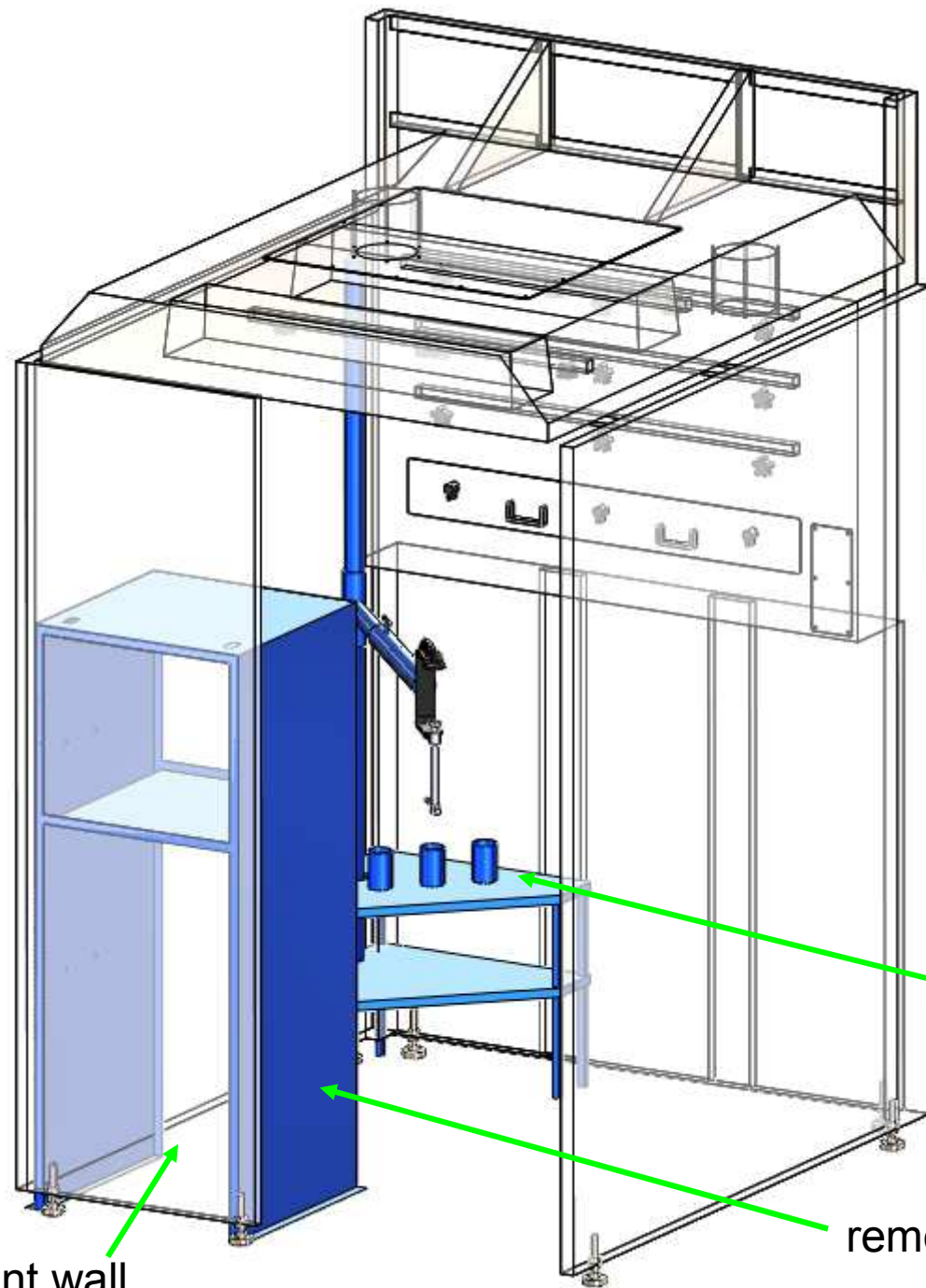












Avani to source front curtain locally

welding table

removable table

additional partial front wall

