



Date: October 20, 2011

To: Los Angeles Trade Technical College

Project:

Attn:

Recommended Equipment:

(1) WB-5000 series Welding Booth (IBB):

- torch holder
- stool (swing underneath while not in use)
- cutting table with fire bricks

Avani Environmental Intl. Inc.
95 Cypress Drive
Youngsville, NC 27596
www.avanienvironmental.com

Phone: (919) 570-2862
Fax: (919) 570-2863
Email: info@avanienvironmental.com
www.weldingbooths.com

The drawings, AutoCAD, 3-D Models, and specifications are the property of Avani Environmental Intl. Inc. (AE) and may not be reproduced, distributed, modified, or otherwise used, except provided herein, without the express written permission of AE.

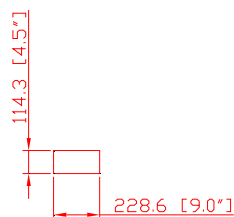
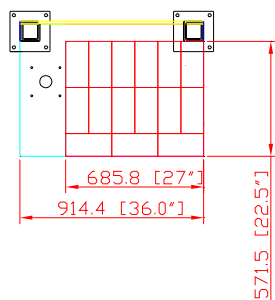
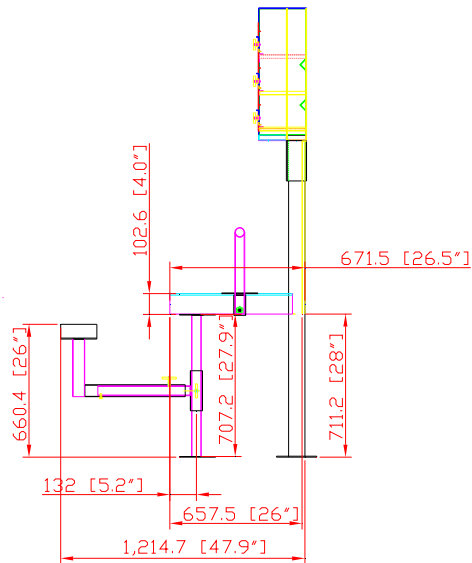
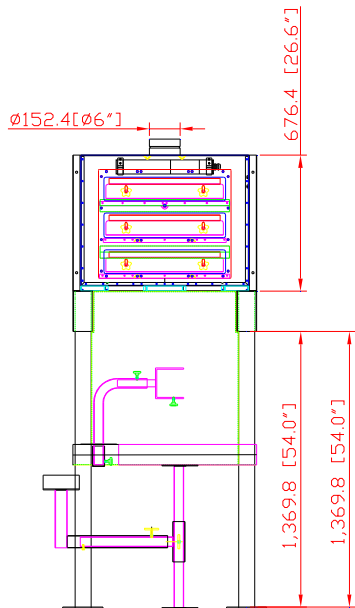
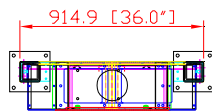
DO NOT SCALE

IF IN DOUBT ASK



Revisions

Rev	Description	Date	Approved



AVANI ENVIRONMENTAL INTL. INC. Sales Department
 95 Cypress Drive
 Youngsville, NC 27596

(919) 570-2862
 info@avanienvironmental.com

Date	Name
2011-10-20	***

Part Number:

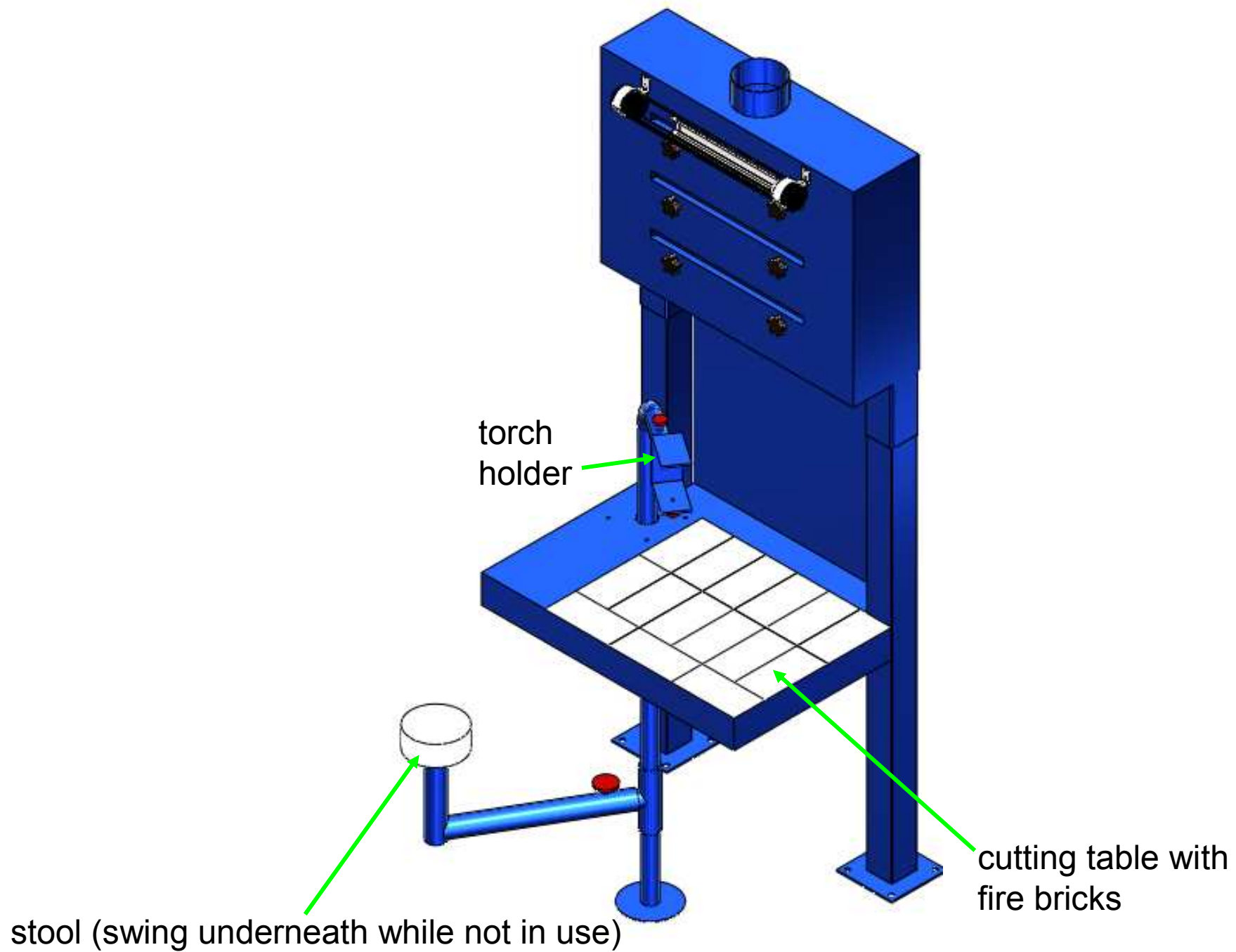
Title:
WB-5000 series (IBB)

The drawings, AutoCAD, 3-D Models, and specifications are the property of Avani Environmental Int'l. Inc. (AE) and may not be reproduced, distributed, modified, or otherwise used, except provided herein, without the express written permission of AE.

Size
B

Scale
1 = 25

Drawing Number:



torch holder

stool (swing underneath while not in use)

cutting table with fire bricks

