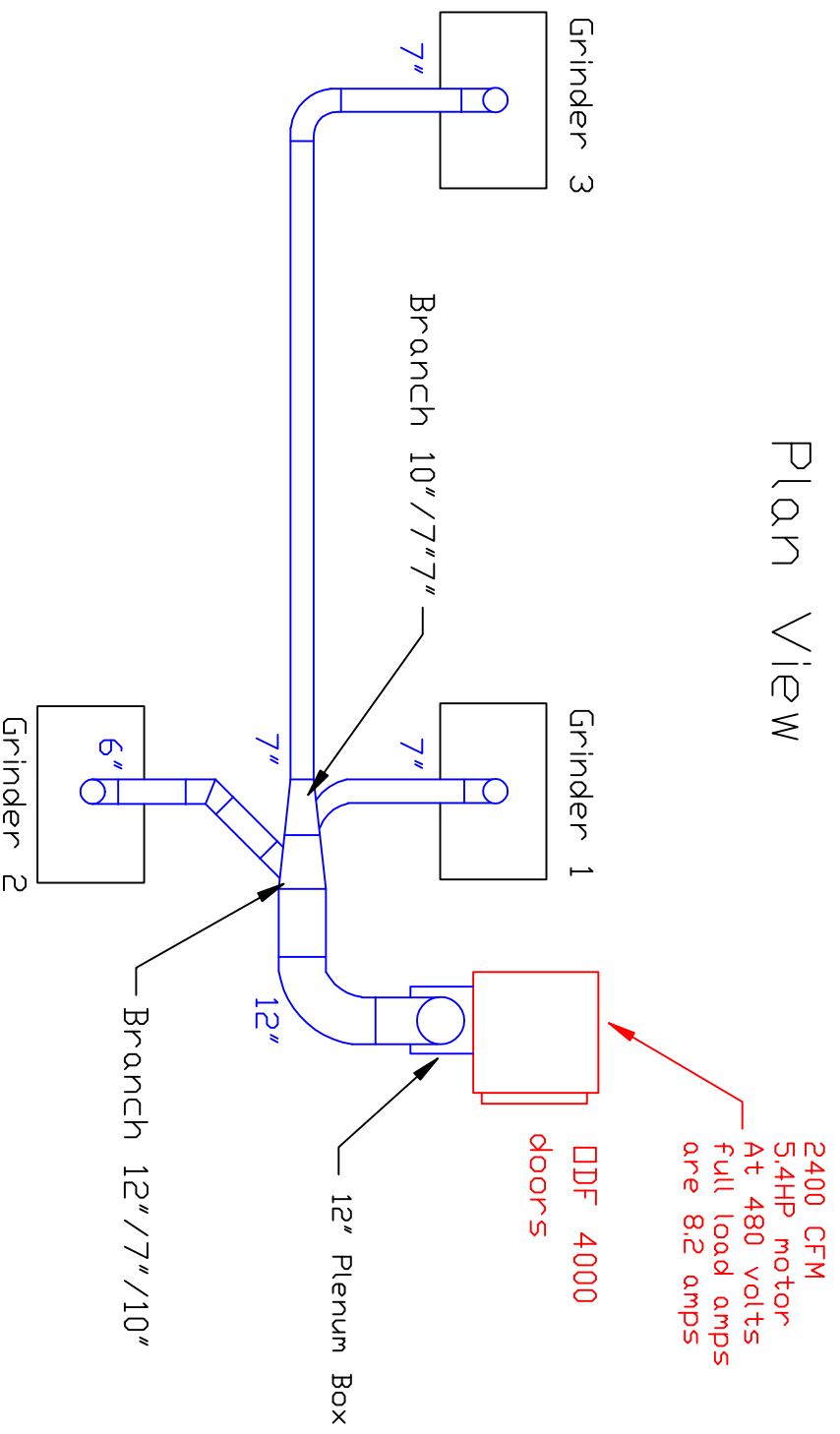


Ductwork Layout for Mod 4

Plan View



Notes:

- A) Each drop will have a butterfly damper for air flow adjustment.
- B) Bottom of ductwork about 12' off of floor.
- C) Absolent to have P-Trap on drain to allow for proper drainage while running.
- D) CFM per drop os 800 CFM