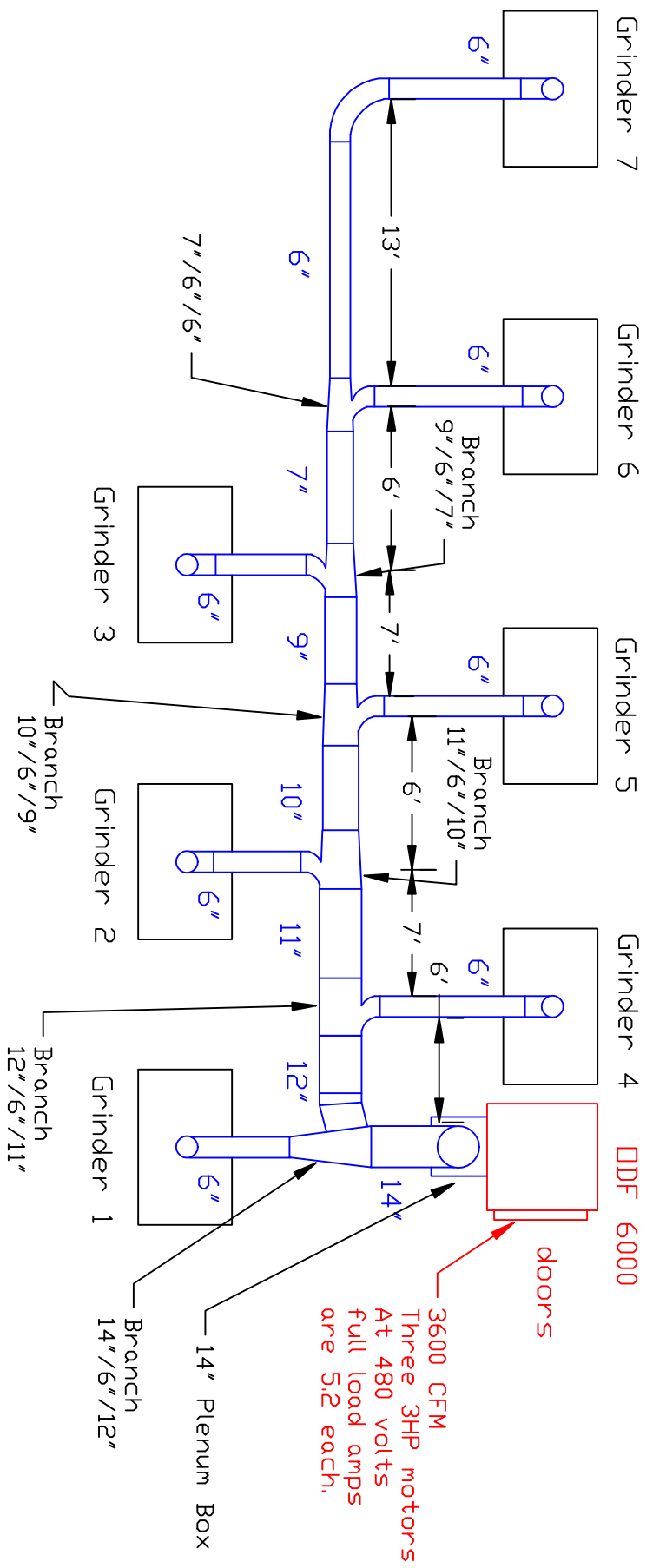


Ductwork Layout for Mod 1 and 2 Plan View



Notes:

- A) Each drop will have a butterfly damper for air flow adjustment.
- B) Bottom of ductwork about 12' off of floor.
- C) Absolent to have P-Trap on drain to allow for proper drainage while running.
- D) CFM per drop os 515 CFM

| | |
|--|---------------|
| Oskar Environmental Products 95 Cypress Drive 27596 Roundville, NC # 919-570-2862 F# 919-570-2863 | |
| Project: Delphi | |
| Drawing: Duct layout Mod1&2 | |
| Date: 4/7/10 | Drawn by: RAV |
| Sheet No: 1 of 3 | |