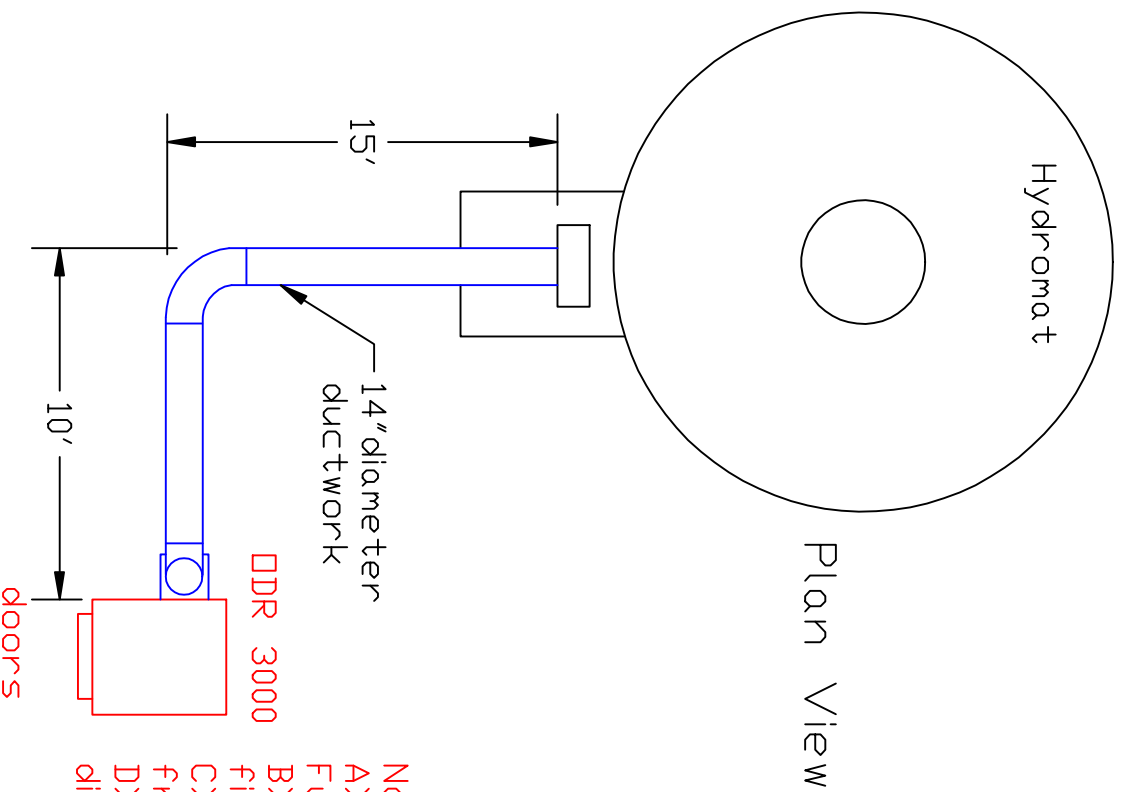
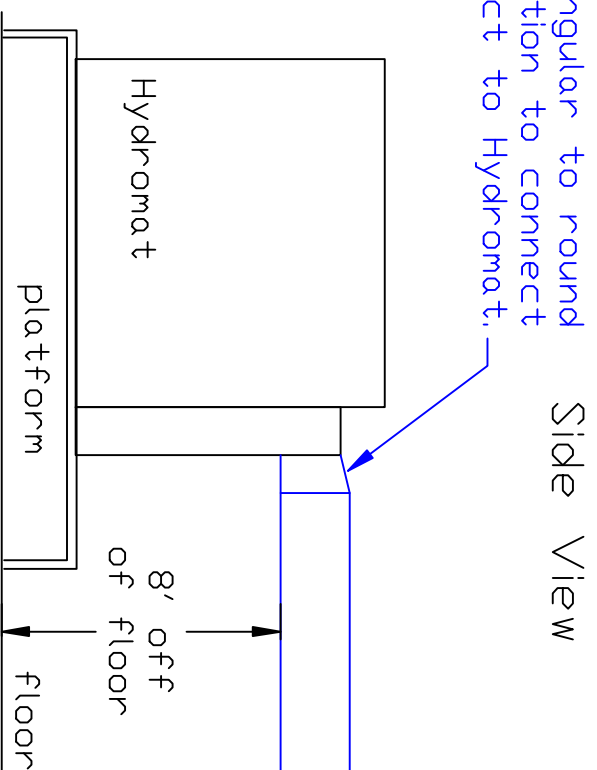


Ductwork layout for Remmele Project



Rectangular to round transition to connect 14" dia duct to Hydromat.



- Notes:
- A) Motor: 480volts 3phase Full load amps at 480 volts are 14.5 amps
 - B) Second stage filter is a high density filter for sub-micronic particulate
 - C) Comes with controls and VFD (variable frequency drive)
 - D) Drain opening from pump is 3/4" diameter

Industrial Air Quality
102 AG DRIVE
Toungesville, NC 27596
PH 919-562-7181 F# 919-562-7182
Project: Hydromat
Drawing: Ductwork Layout
Date: 5/14/10 Drawn by: RAV
Sheet No:

