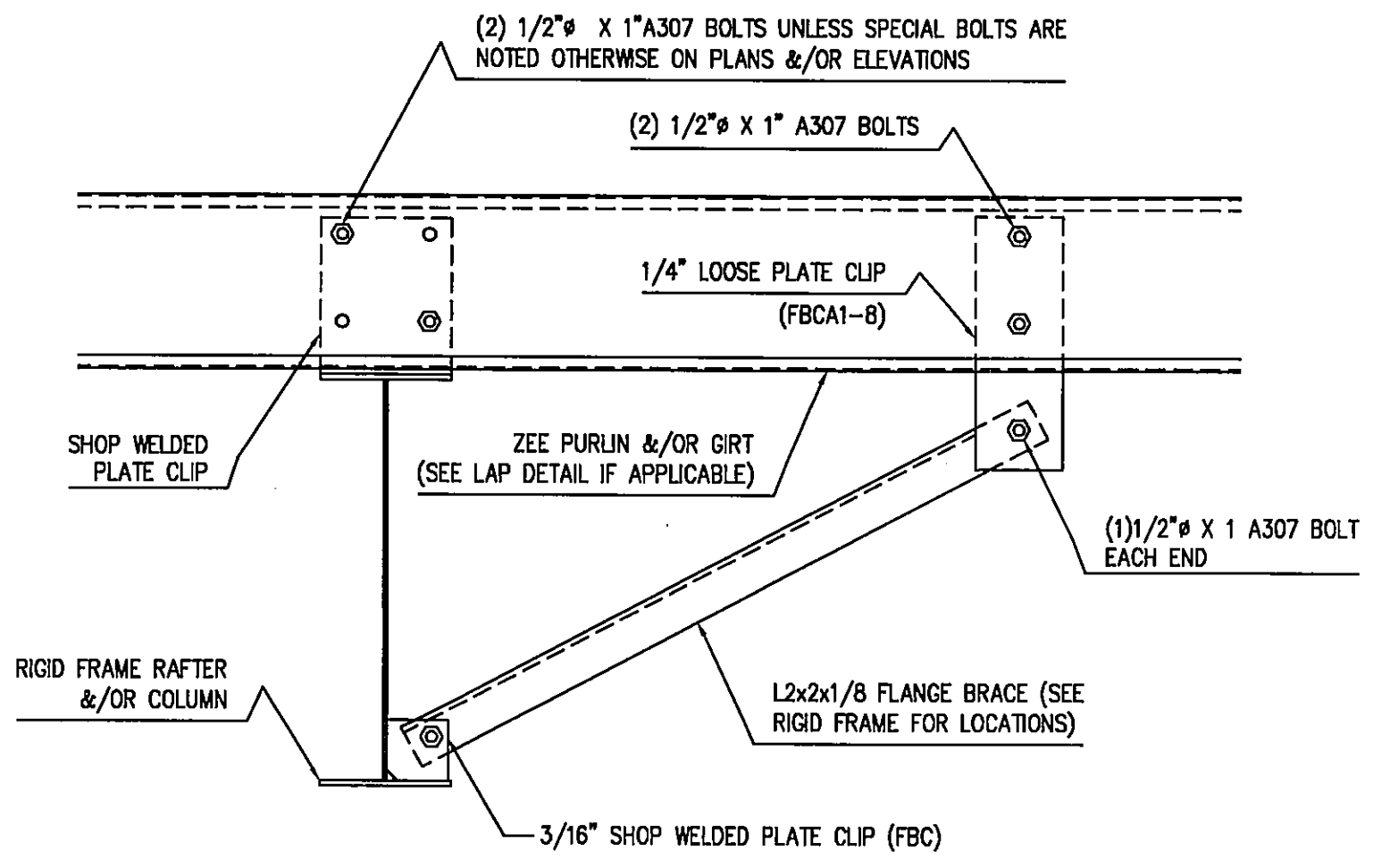
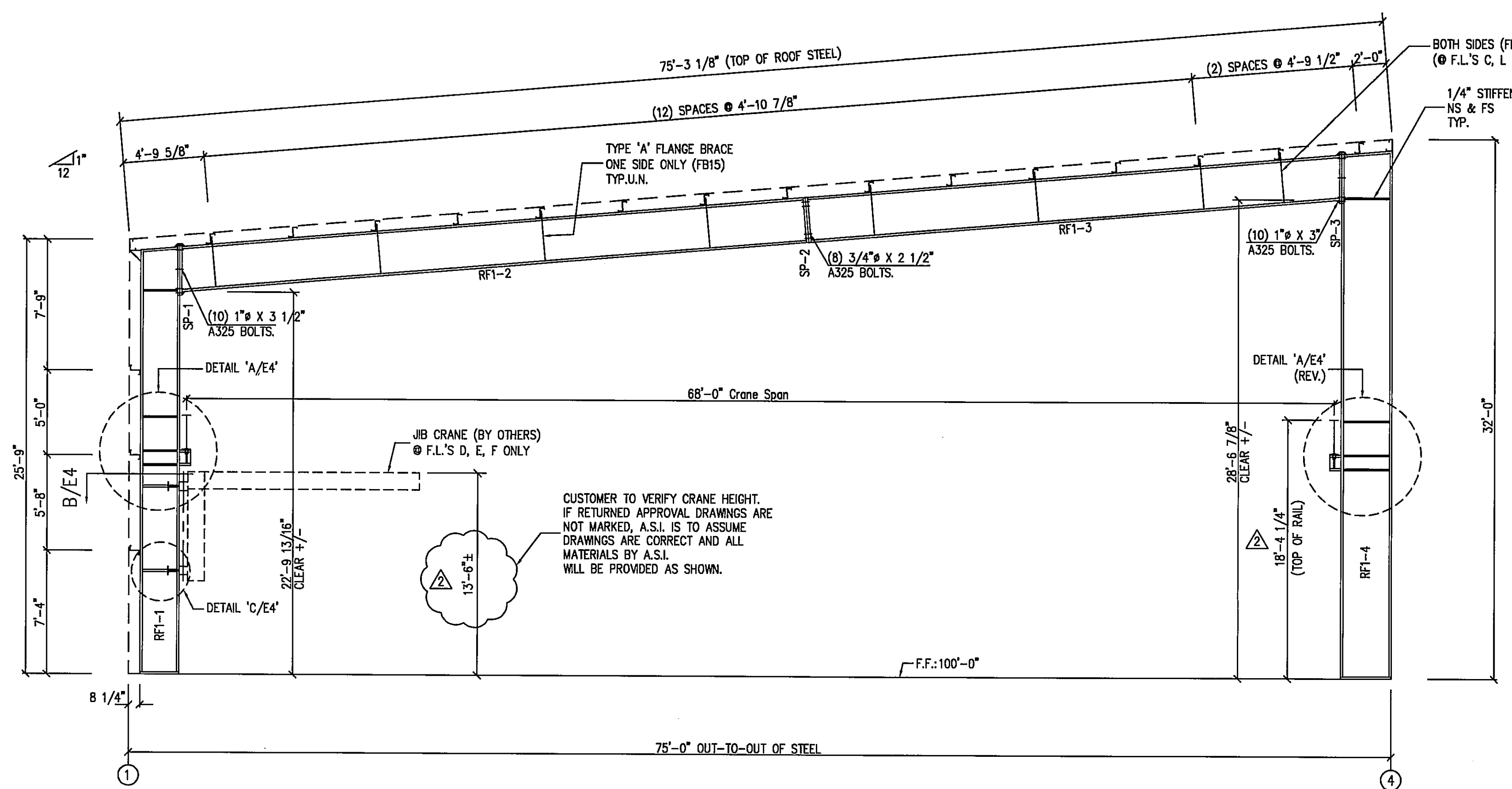
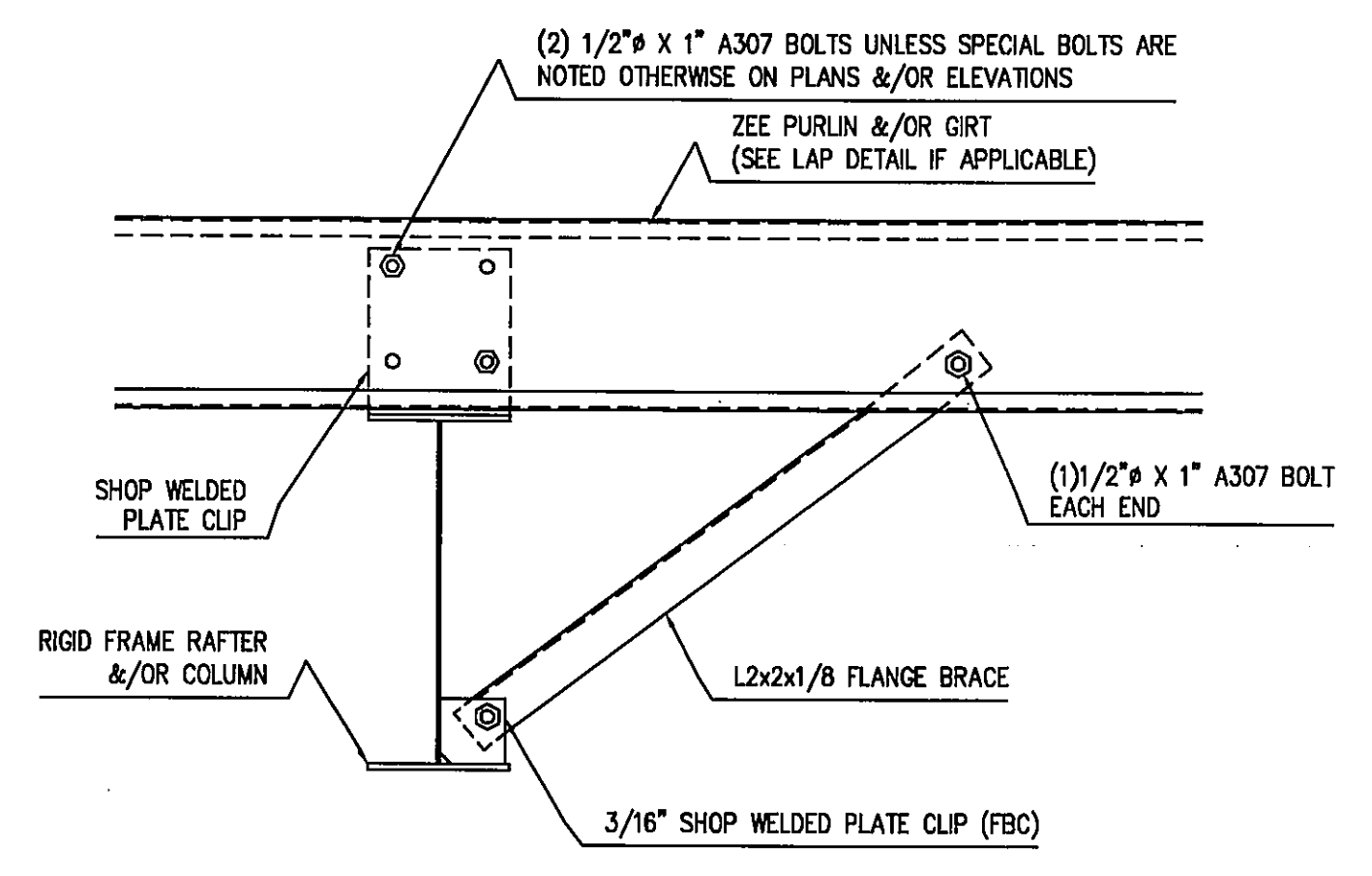


Mark	Qty Top	Qty Bot	Int	Type	Dia	Length	Width	Thick	Length
SP-1	4	4	2	A325	1.000	3.25	8"	1"	3'-1 1/2"
SP-2	4	4	0	A325	0.750	2.50	6"	3/4"	2'-5 9/16"
SP-3	4	4	2	A325	1.000	2.50	10"	5/8"	3'-1 1/2"

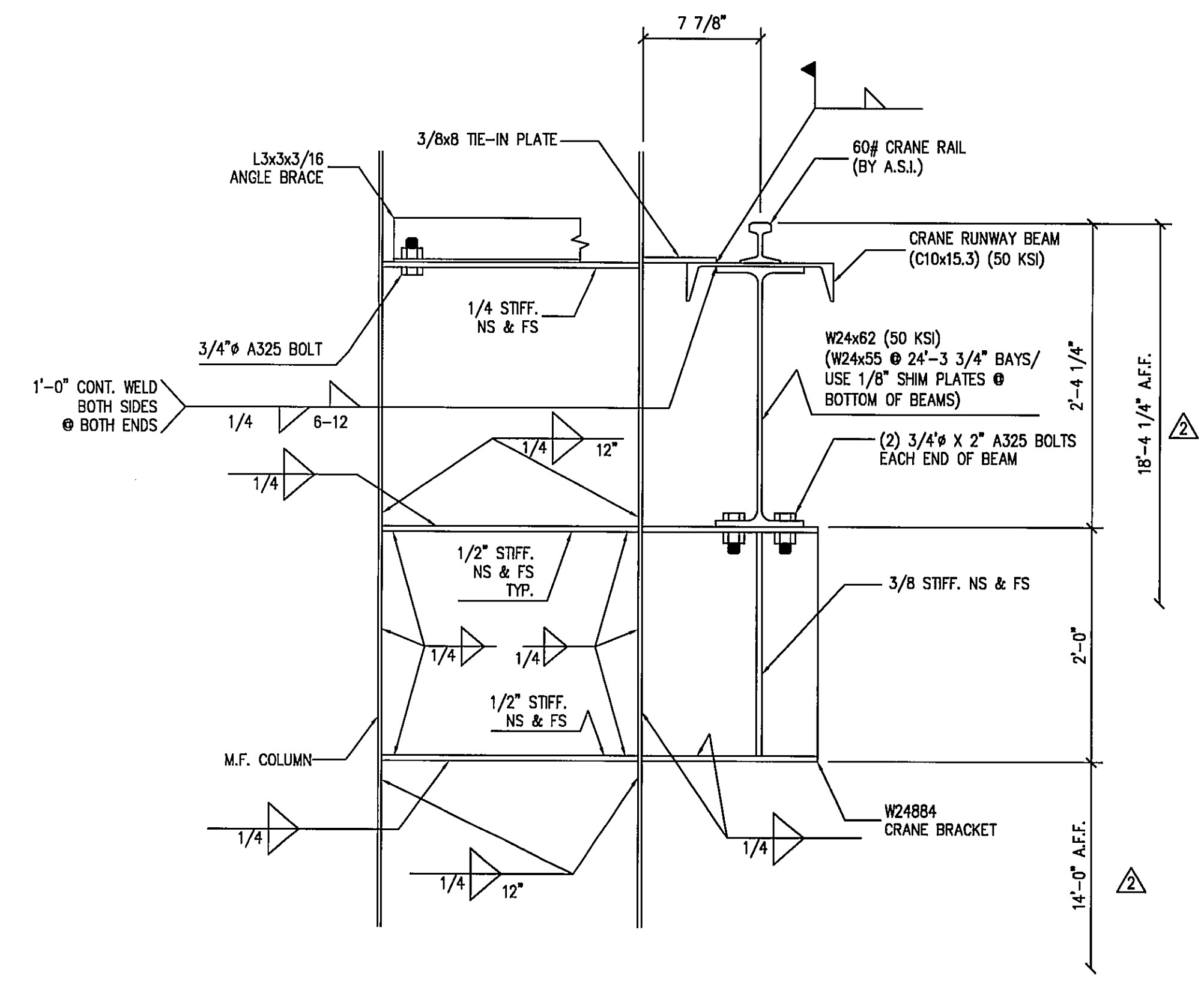
Mark	Weight	Web		Web Plate		Outside Flange		Inside Flange	
		Start	End	Thick	Length	W x Thk	x Length	W x Thk	x Length
RF1-1	1673	24.6	24.6	0.250	5'-2 1/2"	8 x 3/8"	x 20'-0"	8 x 1"	x 20'-0"
RF1-2	1308	24.6	24.6	0.250	10'-0"	8 x 3/8"	x 5'-0 7/16"	8 x 1"	x 5'-6 3/16"
		29.0	29.0	0.250	7'-5 3/8"	6 x 3/8"	x 2'-1 1/16"	6 x 3/8"	x 7'-5 3/8"
		29.0	29.0	0.188	10'-0"	6 x 1/4"	x 17'-2 15/16"	6 x 1/4"	x 20'-0"
		29.0	29.0	0.188	10'-0"	6 x 5/16"	x 20'-0"	6 x 1/4"	x 10'-0"
RF1-3	1174	29.0	29.0	0.188	10'-0"	6 x 5/16"	x 10'-0"	6 x 1/4"	x 20'-0"
		29.0	29.0	0.188	10'-0"	6 x 1/4"	x 20'-0"	6 x 1/4"	x 5'-0"
		29.0	29.0	0.188	10'-0"	6 x 1/4"	x 2'-0 7/16"	6 x 1/2"	x 6'-9 15/16"
		29.0	29.0	0.250	2'-0 7/16"	6 x 1/4"	x 2'-0 7/16"	6 x 1/2"	x 6'-9 15/16"
RF1-4	2355	32.9	32.9	0.250	10'-0"	10 x 3/8"	x 2'-9 5/16"	10 x 3/4"	x 11'-3 1/2"
		32.9	32.9	0.250	10'-0"	10 x 3/8"	x 11'-2 11/16"	10 x 3/4"	x 20'-0"
		32.9	32.9	0.250	9'-2 11/16"	10 x 3/8"	x 20'-0"	10 x 3/8"	x 20'-0"
		32.9	32.9	0.250	2'-0"	10 x 3/8"	x 20'-0"	10 x 3/8"	x 20'-0"



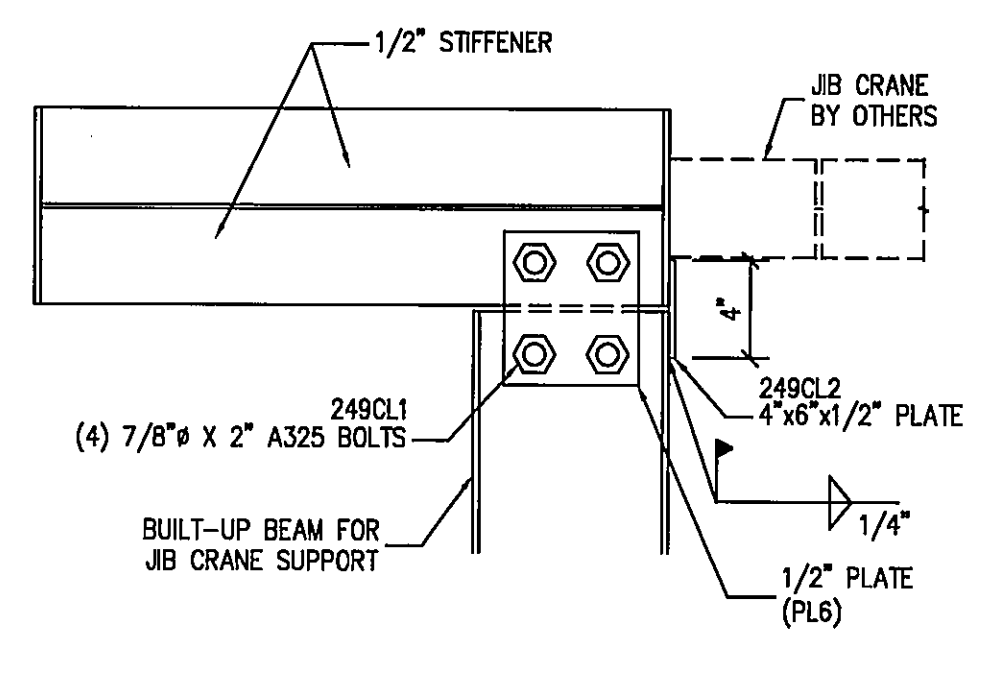
RIGID FRAME DETAIL (BY-PASS)
(TYPE 'A1' FLANGE BRACE - SEE RIGID FRAME ELEVATION)



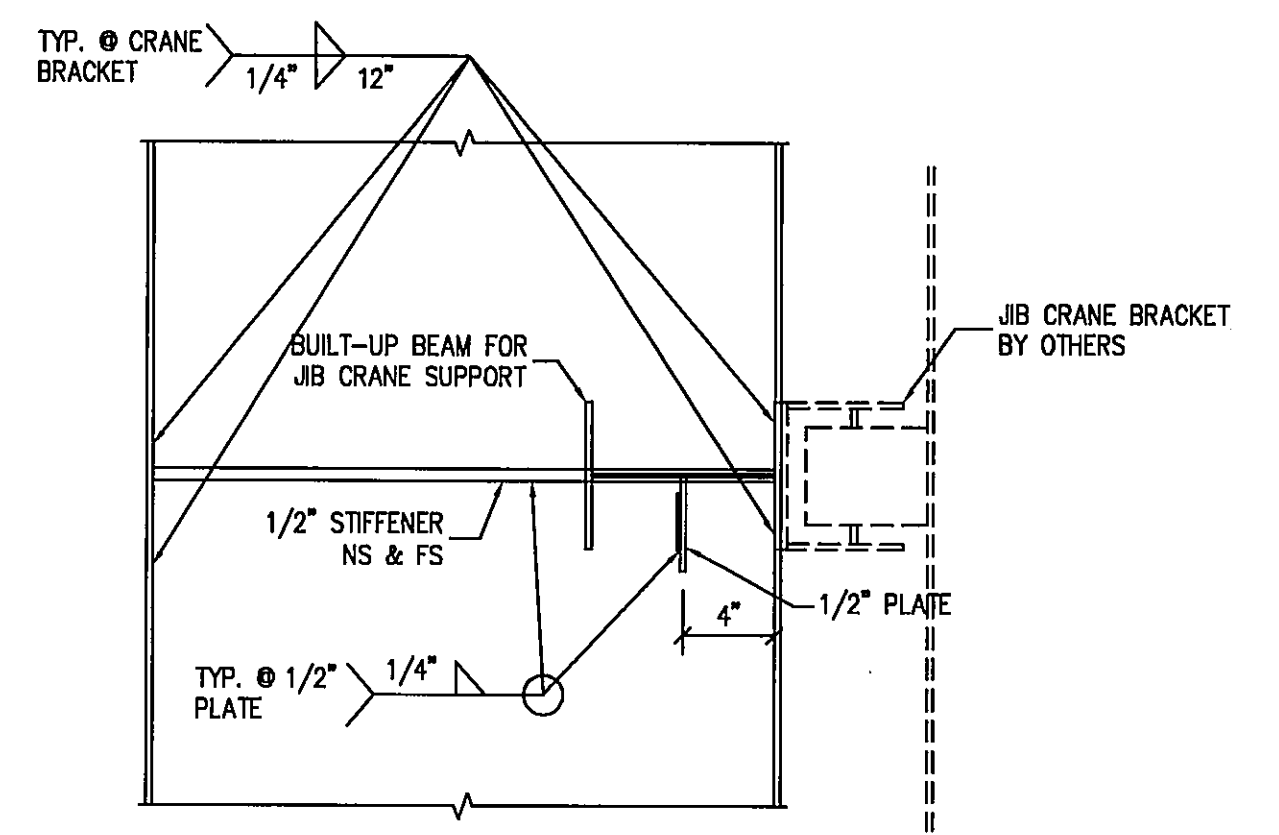
RIGID FRAME DETAIL (BY-PASS)
(TYPE 'A' FLANGE BRACE - SEE RIGID FRAME ELEVATION)



DETAIL 'A/E4'



SECTION 'B/E4'



DETAIL 'C/E4'

alliance STEEL BUILDING SYSTEMS
3333 S. Council - Oklahoma City, OK 73179
(405)-745-7500 (800)-624-1579
Fax Number: (405) 745-7503

AC472

MBMA

REGISTERED PROFESSIONAL ENGINEER
ABBAS MIKE HEDARY
19972
OKLAHOMA

RIGID FRAME ELEVATIONS
FRAME LINES C,D,E,F,G,H,J,K,L (BLDG. 'A')

HORN EQUIPMENT
MOORE, OKLAHOMA

DESIGNED BY:	DATE:	Seal applies only to components designed by Alliance Steel, Inc.
DRAWN BY: CH	09/16/11	
DETAILED BY: SSP	DWG. CHK. BY: VYL	
SCALE: NONE	DET. CHK. BY: SRS	
FILE NAME: 403-316	SHEET: E4 OF 28	
JOB NUMBER: 411-403		