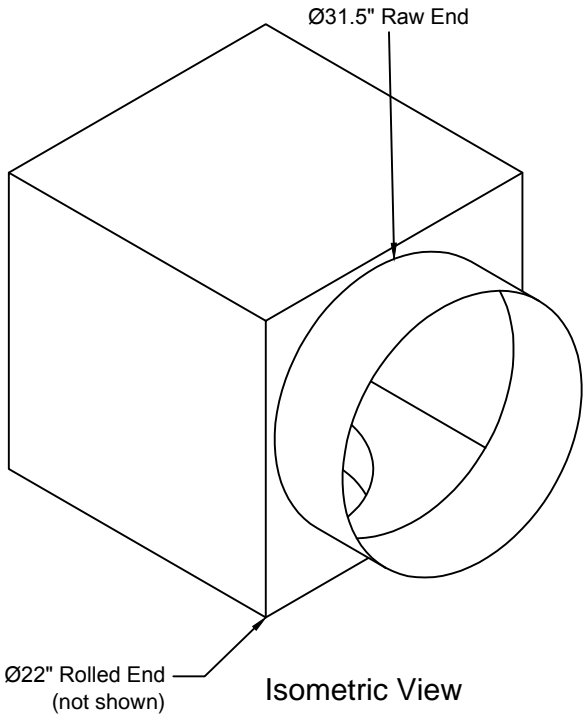
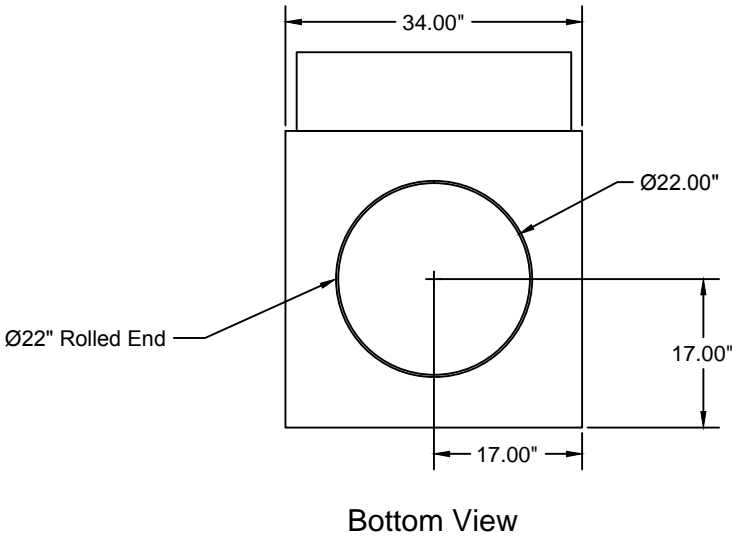
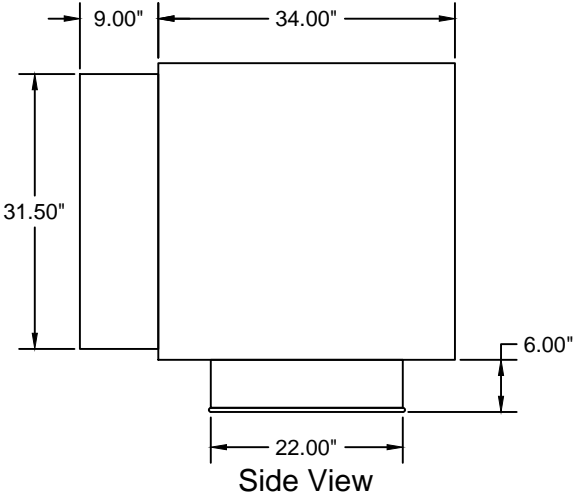
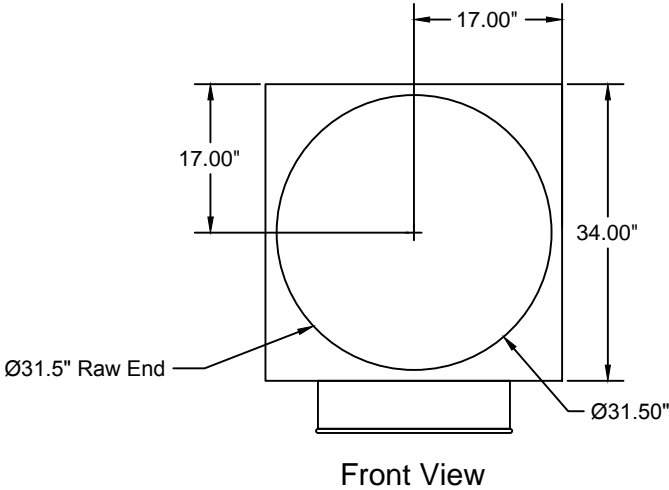


Honda PPG 20806 Absolent to Fan Transition



Notes:
 1. 31.50" Raw end to ship with 2 flanges
 31.50" in diameter

Avani Environmental Intl. Inc. 95 Cypress Drive Youngsville, NC 27596 P# 919-488-2862 F# 919-488-2863		Avani
Project: Honda PPG SO20806		
Drawing: Absolent to Fan Transition		
Date: 7/8/14	Drawn by: MDT	
Sheet No: 1 OF 1	Rev:	