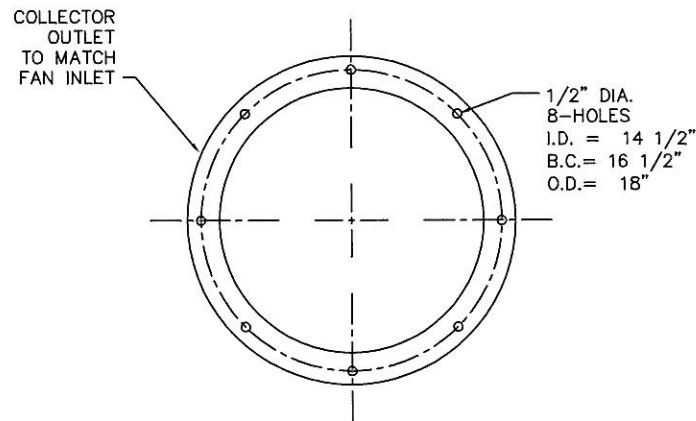


COLLECTOR INLET DETAIL
MADE FROM ANGLE 2"x2"x3/16"
SF= 2



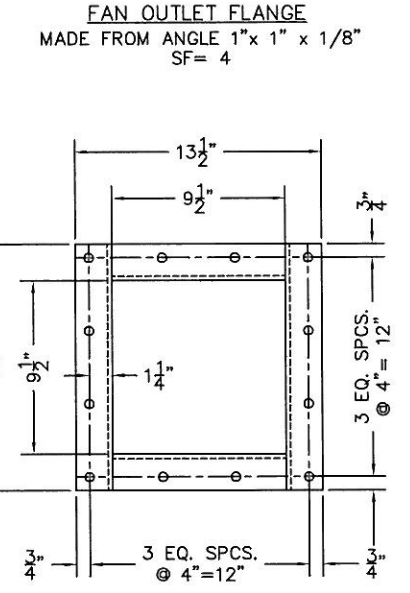
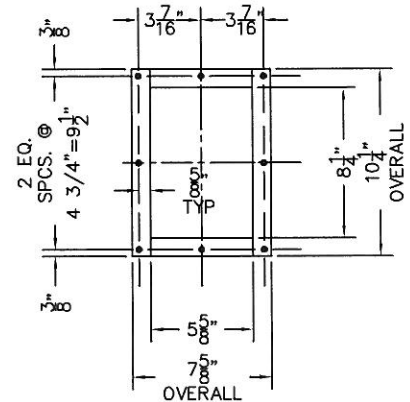
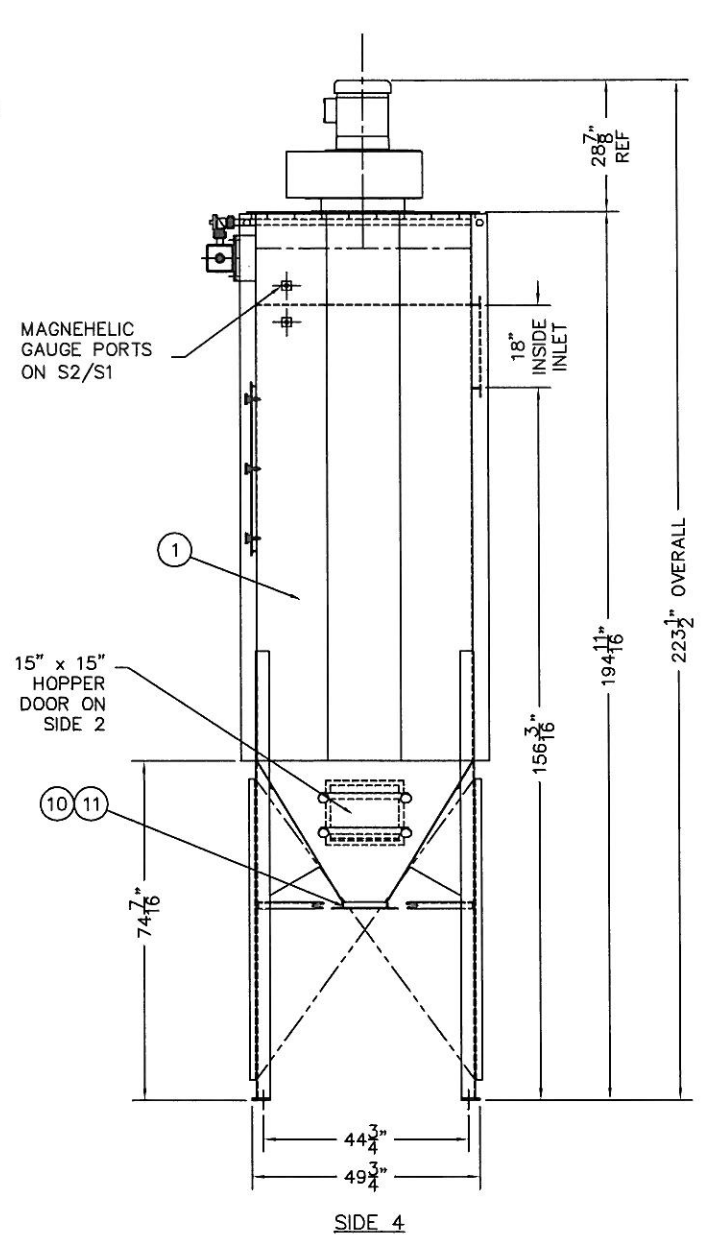
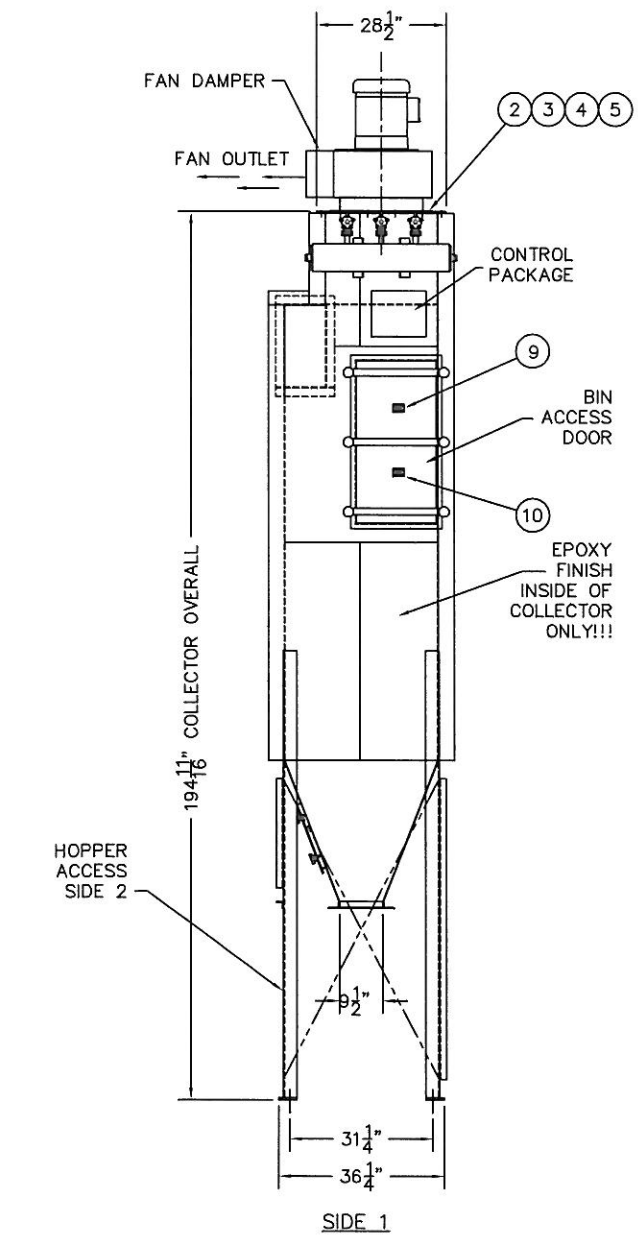
FAN INLET DETAIL
SF-4

BILL OF MATERIAL				
PR	DESCRIPTION	PART NO.	DWG NO.	MATL. ITEM
1	ASSEMBLY, SPJ-18-X4B8 GENERAL	534724	002239	1
1	COVER ASSY	534725	B01394-3	2
28	3/8"-16 x 1 1/4" LG. WHIZ BOLTS	516038		3
28	3/8"-16 WHIZ NUTS	514934		4
1	SEALANT 3M-606	506977		5
2	(GAL) DARK TAN IND. ENAMEL	504920		6
2	(GAL) EPOXY (INSIDE COLLECTOR ONLY)			7
1	LOGO STICKERS			8
1	"CONFINED SPACE" STICKERS			9
1	"WATCH YOUR STEP" STICKER			10
*	NYB FAN SIZE 136 CW WITH DAMPER	533495		11

* SEPARATE LINE ITEM ON ORDER

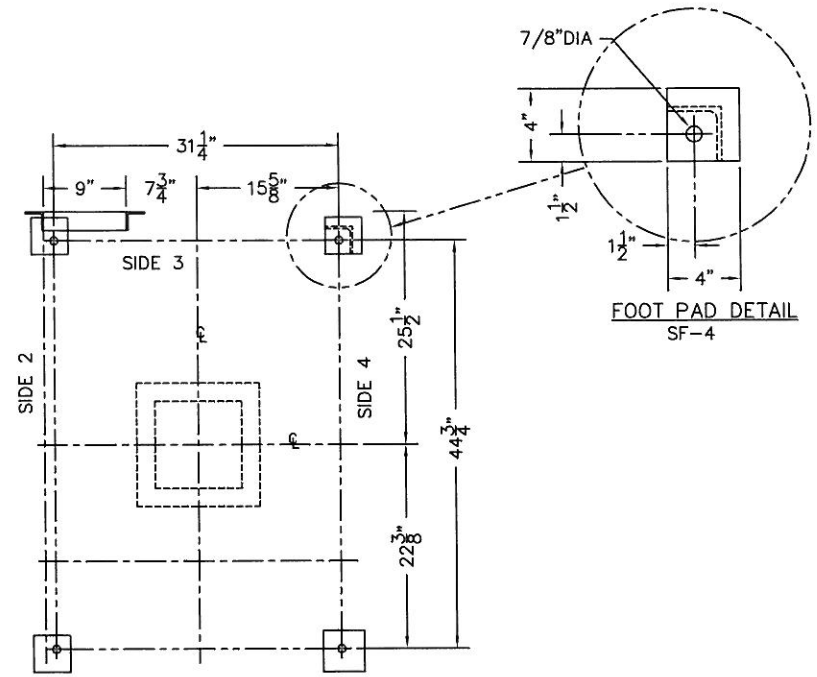
SCIENTIFIC SPJ-18-X4B8 DUST COLLECTOR SPECIFICATIONS:

- 1. NUMBER OF BAGS 18
- 2. BAG LENGTH 8 FT.
- 3. FILTER SURFACE AREA 171 SQ. FT.
- 4. NOMINAL AIR CONSUMPTION, SCFM 1.0-9.8
BASED ON THREE (3) VALVES PULSING ON A 3 MINUTE CYCLE. 1.63 SCF PER PULSE.
USE 90-100 PSIG CLEAN DRY AIR
- 5. NUMBER OF VALVES 3 (1" VALVES)
- 6. INLET OPENING 9" x 18"
- 7. ACCESS DOOR ON BIN 18" x 36"
- 8. HOPPER DISCHARGE OPENING 9 1/2" x 9 1/2"
- 9. NEMA 4 CONTROL PACKAGE 120 V. 1 PH. 60 HZ.
- 10. HOUSING MATERIAL 12 Ga. HRS
- 11. APPROXIMATE SHIPPING WEIGHT 1700 LBS.



HOPPER DISCHARGE
MADE FROM ANGLE 2" x 1 1/2" x 1/4"
SF= 4

USE WIRING DIAGRAM W3
USE HARDWARE BAG (534722)



MANIFOLD SIDE ONE (1)
FOUNDATION PLAN
SF= 2

PLEASE SIGN APPROVED FOR MANUFACTURE: *Damon Buus* DATE: 5/11/07

CERTIFIED PRINT USE ONLY FOR		TITLE SPJ-18-X4B8 FABRIC DUST COLLECTOR	
YOUR ORDER 20407 OUR ORDER 63227 CUST. HONDA POWER DATE 5/4/2007 O.K.		TOLERANCE UNLESS OTHERWISE NOTED .00 ± FRACTIONS ± 1/8" .00 ± ANGLES ±	
DESIGNED BY ABB	CHKD BY PWR	SCIENTIFIC DUST COLLECTORS 4101 W. 126TH ST., ALSIP, ILLINOIS 60803	
DATE 5/4/2007	SCALE 3/64" = 1"	DRAWING NO. 63227	
REFER TO 62132, 62474		REV. NO.	