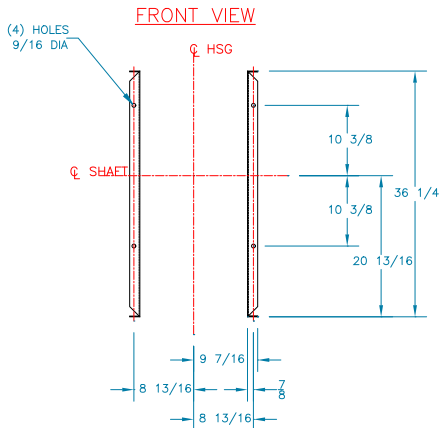
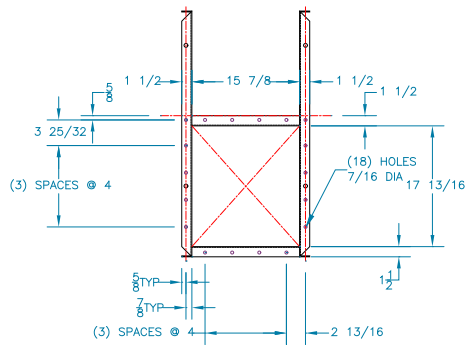


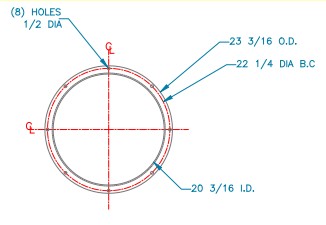
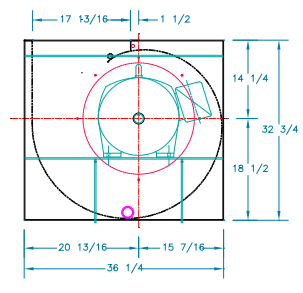
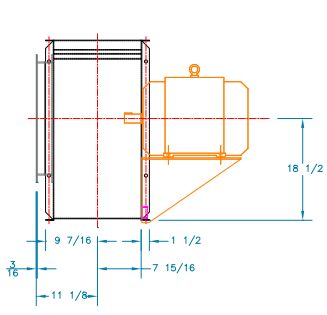
**INLET FLANGE
PUNCHING DETAIL**



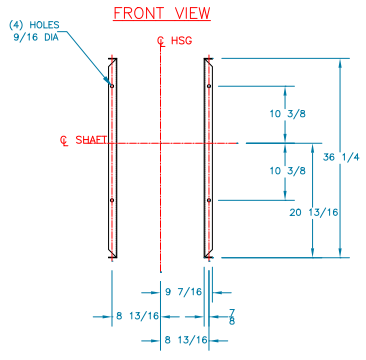
FOUNDATION PLAN



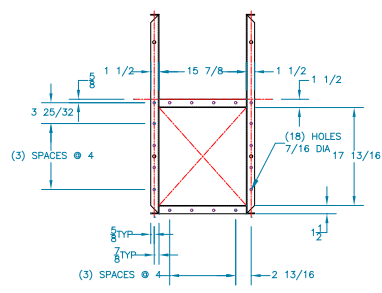
**DISCHARGE OPENING
& OUTLET FLANGE
PUNCHING DETAIL**



INLET FLANGE PUNCHING DETAIL



FOUNDATION PLAN



DISCHARGE OPENING & OUTLET FLANGE PUNCHING DETAIL

ACCESSORIES

1. Flanged Inlet (shown)
2. Drilled Flanged Outlet (shown)
3. 10 x 10 Clamp Type Cleanout Door. Door location is at 9 o'clock
4. Drain - 1 1/2 half coupling (shown)

NOTES

TECO/Westinghouse motors
Furnished and mounted by cbc.
For details see title block.

QUANTITY OF FANS: 2

<p>CAUTION</p> <p>BEFORE TO DISASSEMBLE AND REASSEMBLY, REFER TO SERVICE MANUAL FOR INSTRUCTIONS AND SAFETY PRECAUTIONS.</p> <p>SCALE: NONE</p> <p>PURCHASER TO PROVIDE OPENINGS IN BUILDING OR STRUCTURE OF SUFFICIENT SIZE TO RECEIVE EXTERIOR OF EQUIPMENT PARTS AS SHOWN ON THIS DRAWING.</p> <p>THIS DOCUMENT CONTAINS MOTOR AND/OR INFORMATION WHICH IS THE PROPERTY OF CHICAGO BLOWER CORP AND IS LOANED ONLY ON A CONFIDENTIAL BASIS TO THE PURCHASER. NO REPRODUCTION OR DISSEMINATION OF THIS INFORMATION OR ENCLOSURE SHALL BE MADE TO ANY PERSON, FIRM, OR CORP WITHOUT THE WRITTEN APPROVAL OF CHICAGO BLOWER CORP.</p>	<p>ALL DIMENSIONS IN INCHES</p> <p>FAN SIZE AS SHOWN IN 1/2" - 1/8" FAN SIZE RANGE 1/2" - 1/4"</p>	<p>JOB # 280575</p> <p>CUST. # 21277</p>	<p>JOB NAME HONDA OF CANADA</p> <p>DESTINATION ALLISTON, CAN.</p>	<p>1675 GLEN ELLYN ROAD, GLENDALE HEIGHTS, IL 60139</p>																
	<p>CUSTOMER INDUSTRIAL AIR QUALITY</p> <p>TAG FAN # 041277 (04) 000000001</p>	<p>PERFORMANCE</p> <table border="1"> <tr> <th>CFM</th> <th>OV FT/MIN</th> <th>SP IN W.G.</th> <th>RPM</th> <th>SHIP</th> <th>TEMP</th> <th>ALT FEET</th> <th>OPER. DENSITY</th> </tr> <tr> <td>7500</td> <td>3839</td> <td>14</td> <td>3442</td> <td>0.077</td> <td>70</td> <td>0</td> <td>0.076</td> </tr> </table>	CFM		OV FT/MIN	SP IN W.G.	RPM	SHIP	TEMP	ALT FEET	OPER. DENSITY	7500	3839	14	3442	0.077	70	0	0.076	<p>TITLE D/35A (SQAD) FAN ASSEMBLY</p> <p>SIZE 18-17" ARRANGEMENT 4</p> <p>CW ROTATION UB DISCHARGE 100% WIDTH</p>
	CFM	OV FT/MIN	SP IN W.G.		RPM	SHIP	TEMP	ALT FEET	OPER. DENSITY											
	7500	3839	14		3442	0.077	70	0	0.076											
<p>MOTOR DATA</p> <table border="1"> <tr> <th>HP</th> <th>RPM</th> <th>PHASE</th> <th>HERTZ</th> <th>VOLTAGE</th> <th>FRAME</th> <th>TYPE</th> <th>ENCLOSURE</th> <th>SERVICE FACTOR</th> </tr> <tr> <td>2.5</td> <td>5800</td> <td>3</td> <td>60</td> <td>230/480</td> <td>284T5</td> <td>TEPG</td> <td>1.15</td> <td></td> </tr> </table>	HP	RPM	PHASE	HERTZ	VOLTAGE	FRAME	TYPE	ENCLOSURE	SERVICE FACTOR	2.5	5800	3	60	230/480	284T5	TEPG	1.15		<p>DR. HMS 12/19/07</p> <p>DWG. NO. 280575-01</p> <p>CHK. HMS 12/19/07</p> <p>REV.</p>	
HP	RPM	PHASE	HERTZ	VOLTAGE	FRAME	TYPE	ENCLOSURE	SERVICE FACTOR												
2.5	5800	3	60	230/480	284T5	TEPG	1.15													
<p>REVISIONS</p>																				