

MP SERIES

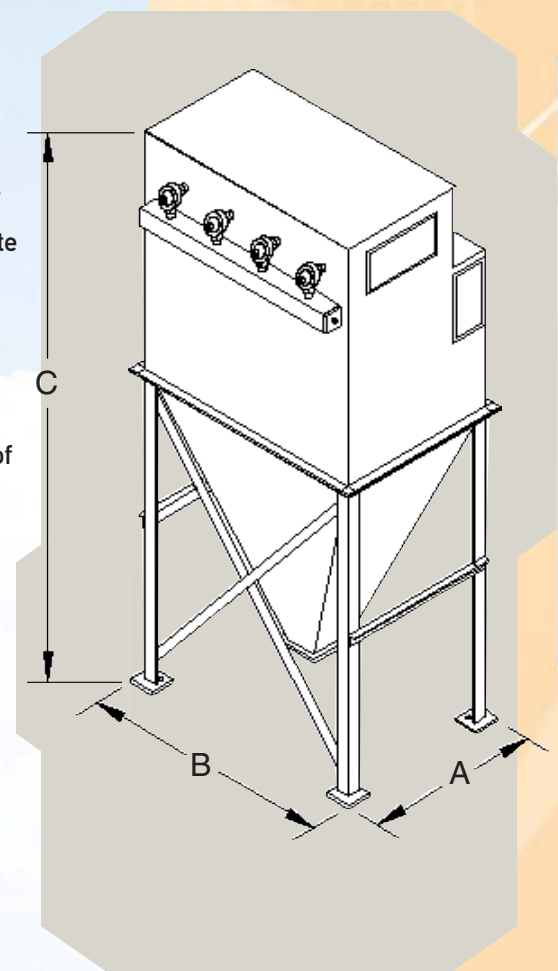
The MP collector is an economical cartridge collector with all the quality design features you have come to expect from Scientific Dust Collectors. The unit features all welded construction and patented nozzle based cleaning system. Our spring loaded cartridge holder guarantees to provide a no leak seal between the tube sheet and the cartridge.

STANDARD FEATURES

- High side inlet with internal baffle
- 12 gauge hot rolled steel housing, reinforced to withstand ± 20 IWC static pressure, welded construction, pre-assembled to largest feasible shipping sections
- Welded support structure designed for 100 MPH winds and Zone 3 seismic loads
- Patented cleaning system with solid state timer pre-wired in NEMA 4 enclosure (110 V)
- 60° hopper with hopper discharge clearance of 42", sized for slide gate and 55 gallon drum adapter
- Compressed air manifold mounted with pipe couplings on both ends for easy connection of air supply
- Flanged inlet and flanged outlet
- Removable 20" x 20" hopper access panels and bag access door
- One differential pressure gauge with connecting hardware
- One full set of Duratex or Duratex II cartridges (99.99% efficiency)
- Zinc oxide primer on the interior and exterior, and an exterior finish of industrial enamel (color is tan or gray)

Model	A	B	C
MP-2	36"	40"	95"
MP-4	50"	40"	125"
MP-6	50"	58"	132"
MP-8	76"	57"	150"
MP-10	76"	68"	150"
MP-12	78"	80"	155"
MP-15	96"	78"	170"
MP-18	98"	92"	172"
MP-21	100"	106"	182"
MP-24	119"	102"	197"
MP-28	137"	102"	184"

Larger models available.



SCIENTIFIC DUST COLLECTORS

4101 W. 126th Street + Alsip, IL 60803 USA
 ph 708.597.7090 + fx 708.597.0313

www.scientificdustcollectors.com
 A Venturedyne Ltd. Company

BUL #301
 05/06