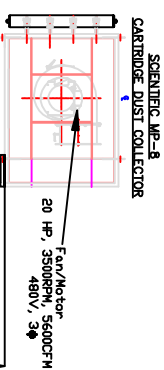
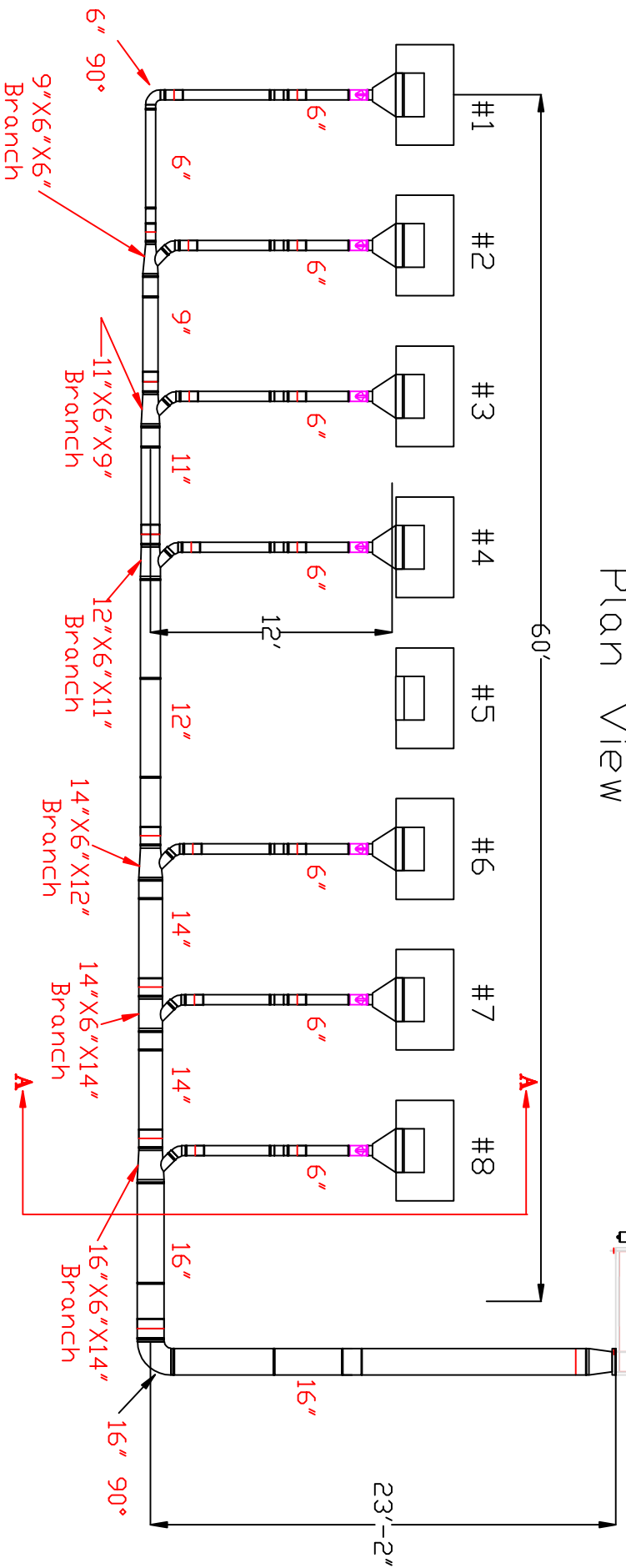


Hi-Cone Grinder Duct Layout

Plan View



Avani Environmental Intl. 95 Cypress Drive Youngsville, NC P# 919-570-2862 F# 919-570-2863	27596
Project: HI-CDNE	
Drawing: Duct Layout Plan View	
Date: 6/20/12 Drawn by: W/B	
Sheet No: 1 of 2 Rev.: 0	

