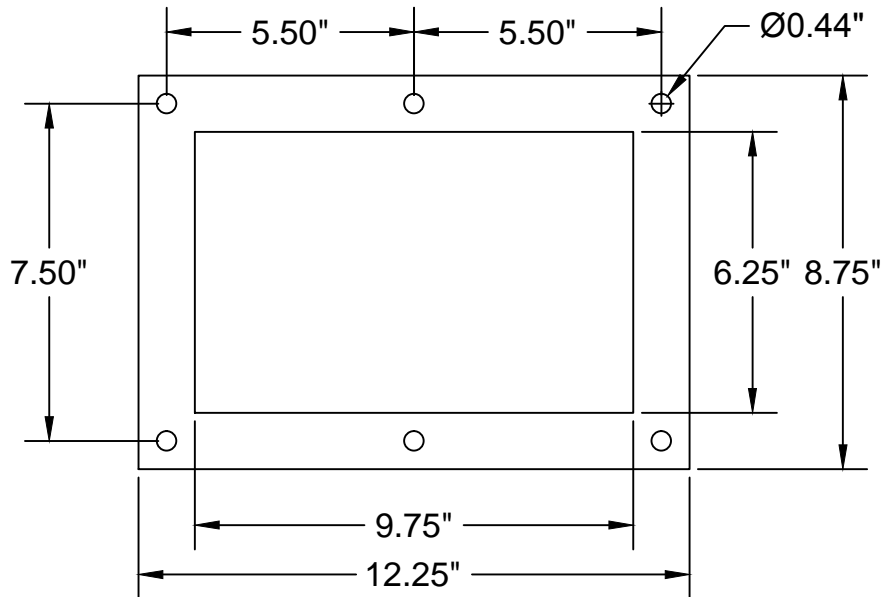
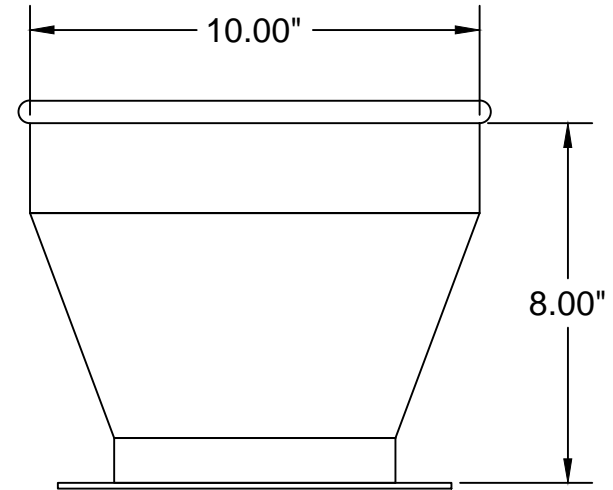
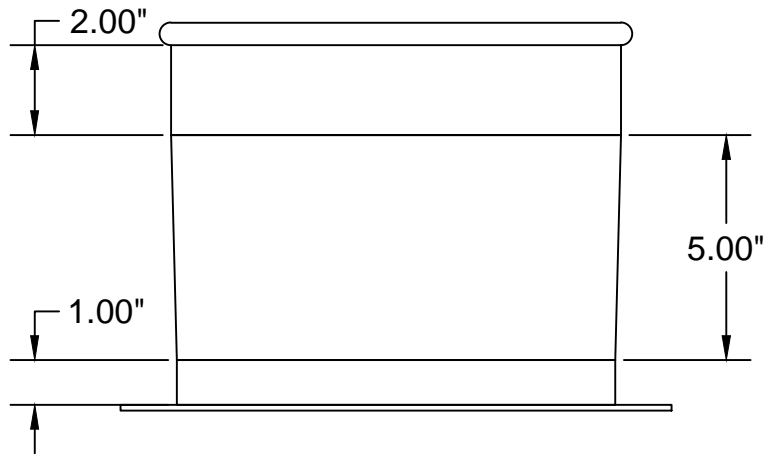


# Herbalife SBU Transition



Avani Environmental Intl. Inc.  
95 Cypress Drive  
Youngsville, NC 27596  
P# 919-488-2862 F# 919-488-2863

**Avani**

Project: Herbalife SBU Transition

Drawing: Detail Drawing

Date: 3/10/14

Drawn by: MDT

Sheet No: 1 OF 1