

**WB-5x5 insert bolted booth  
(top & backdraft module)**

**w/  
side curtain  
base bolted to floor**

**<for Hennessy>**

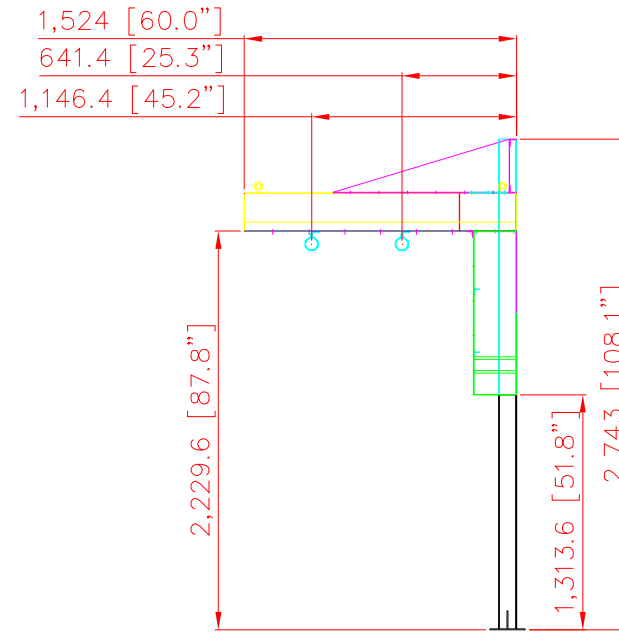
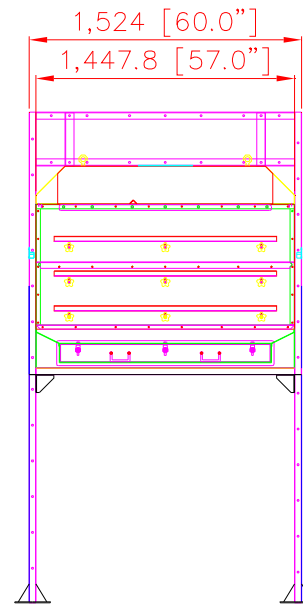
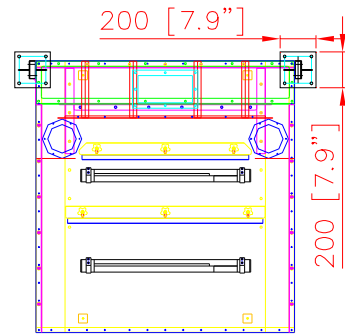
January 26, 2010

DO NOT SCALE

IF IN DOUBT ASK



Revisions			
Rev	Description	Date	Approved

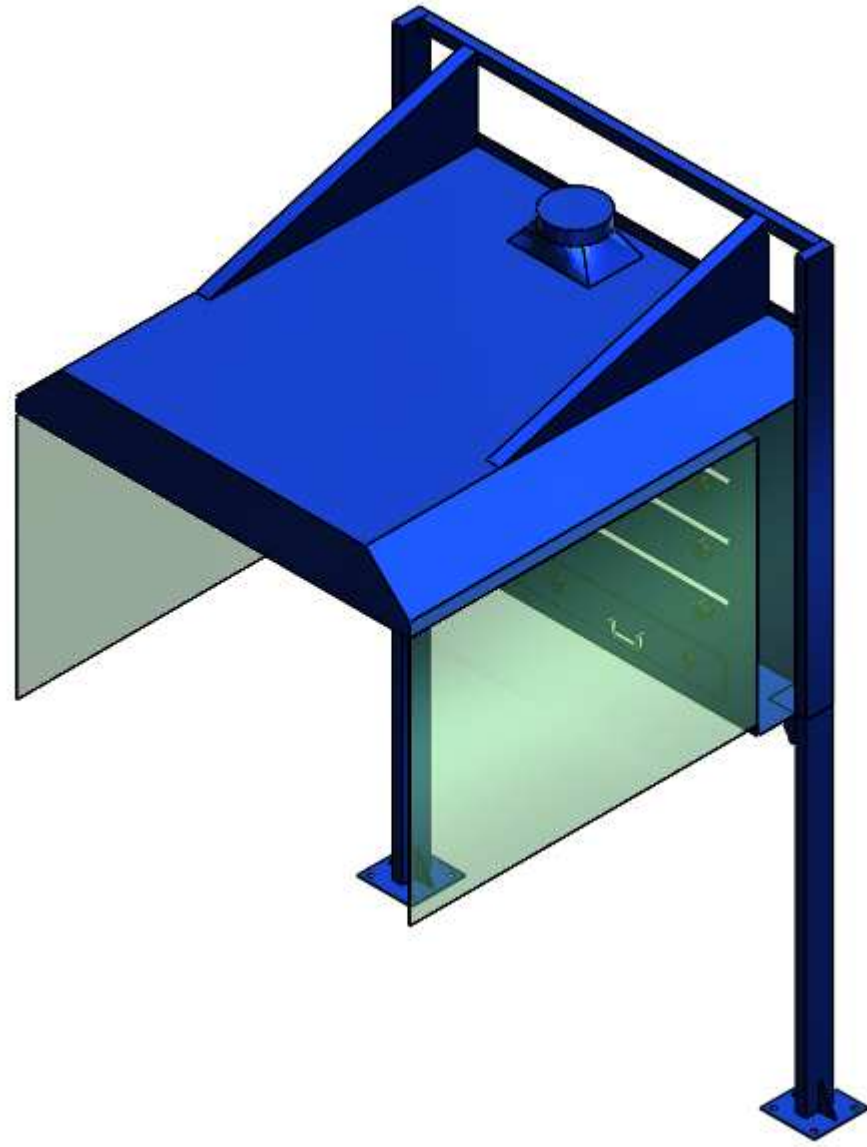


OSKAR ENVIRONMENTAL, INC.  
95 Cypress Drive  
Youngsville, NC 27596

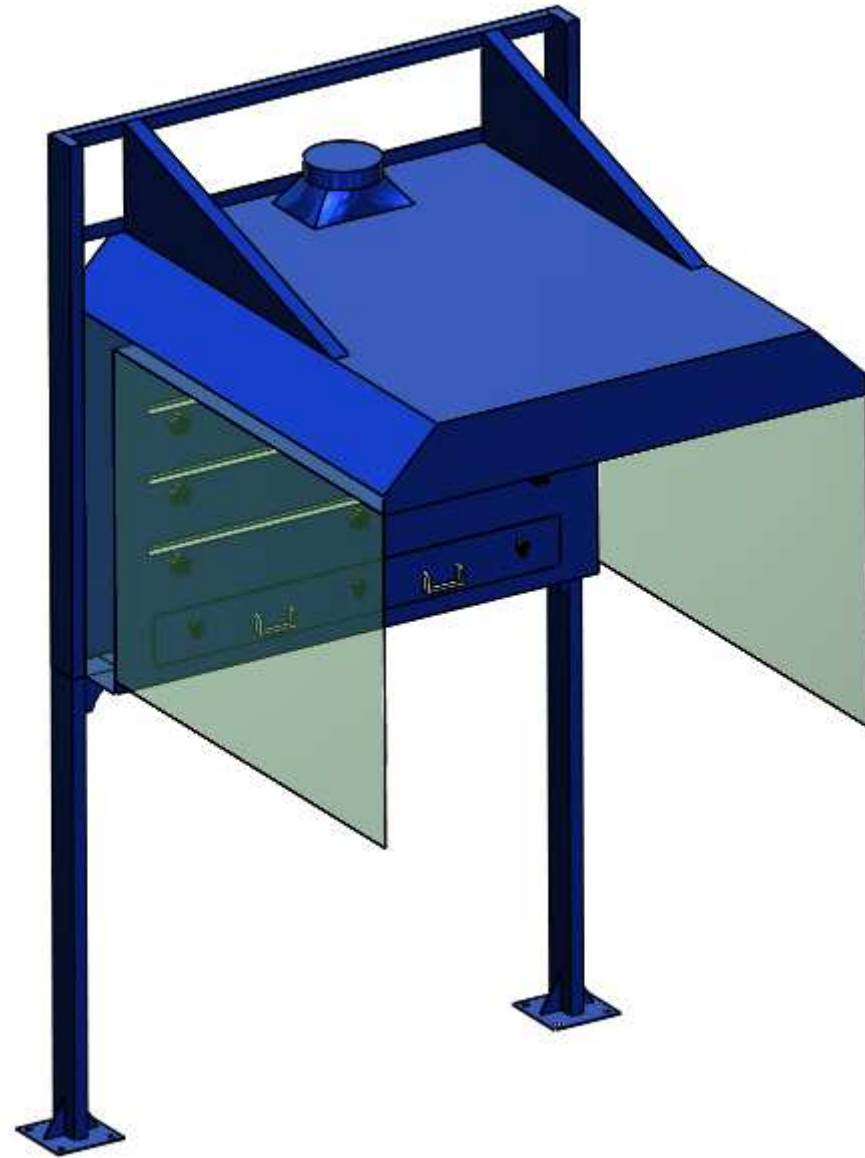
Sales Department  
(919) 570-2862  
sales@oskarsales.com

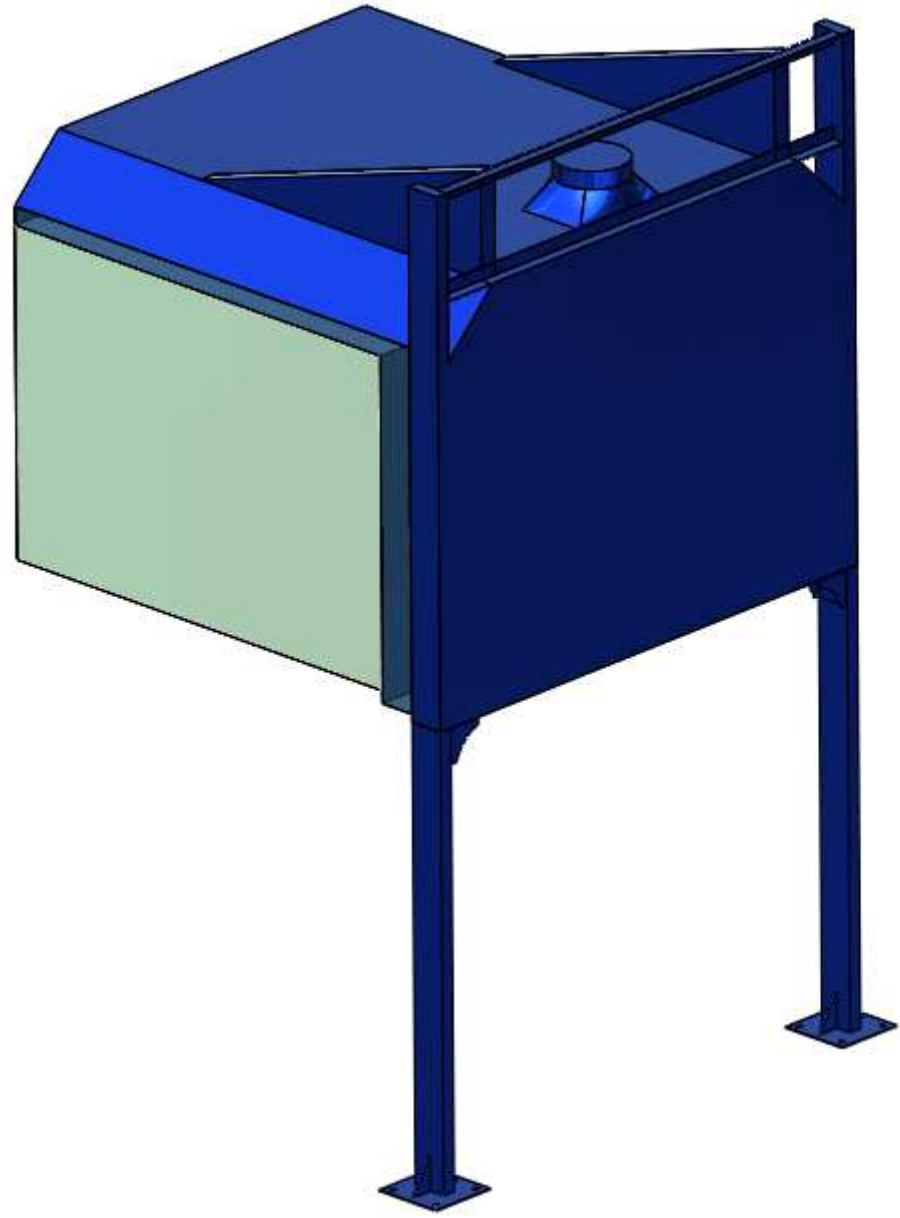
	Date	Name	Part Number:	Title:
Drawn by:	2010-01-26	XXXXX	***	Hennessy WB-5x5 insert bolted booth
Checked by:				
This drawing is confidential and is the exclusive property of Oskar Environmental. No unauthorized use/copy or disclosure is to be made and it is returned whenever required.				

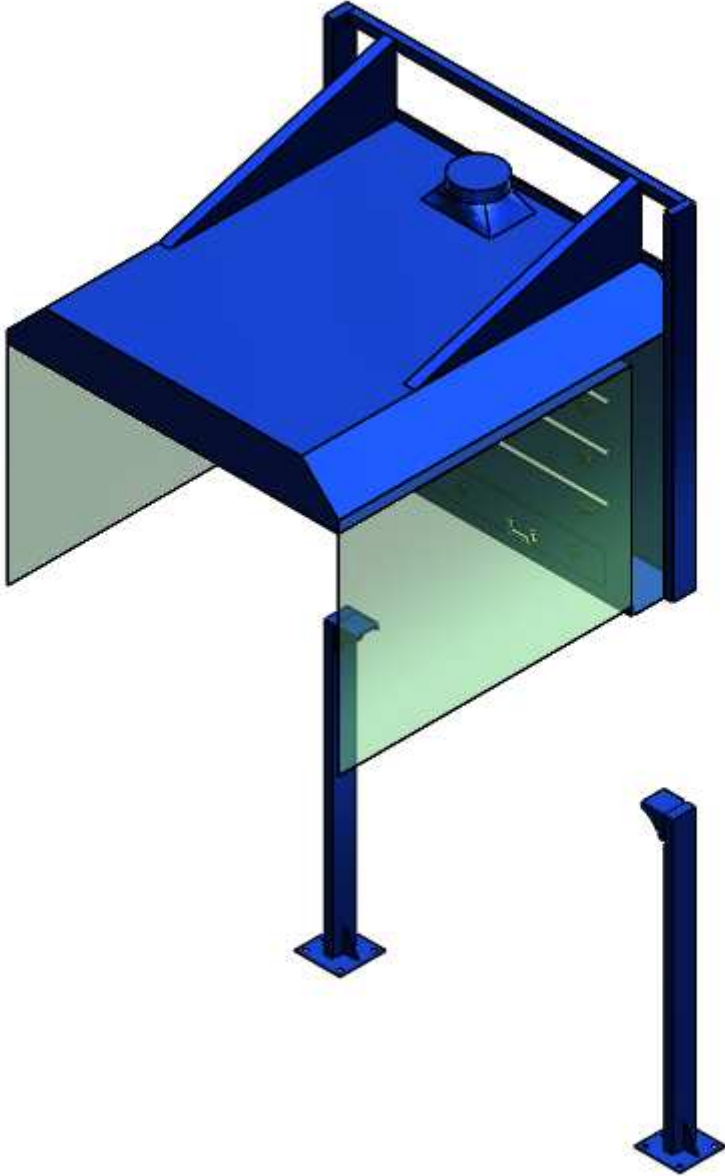
Size	Scale	Drawing Number:
A	1 = 35	BH-10-5-5-990126

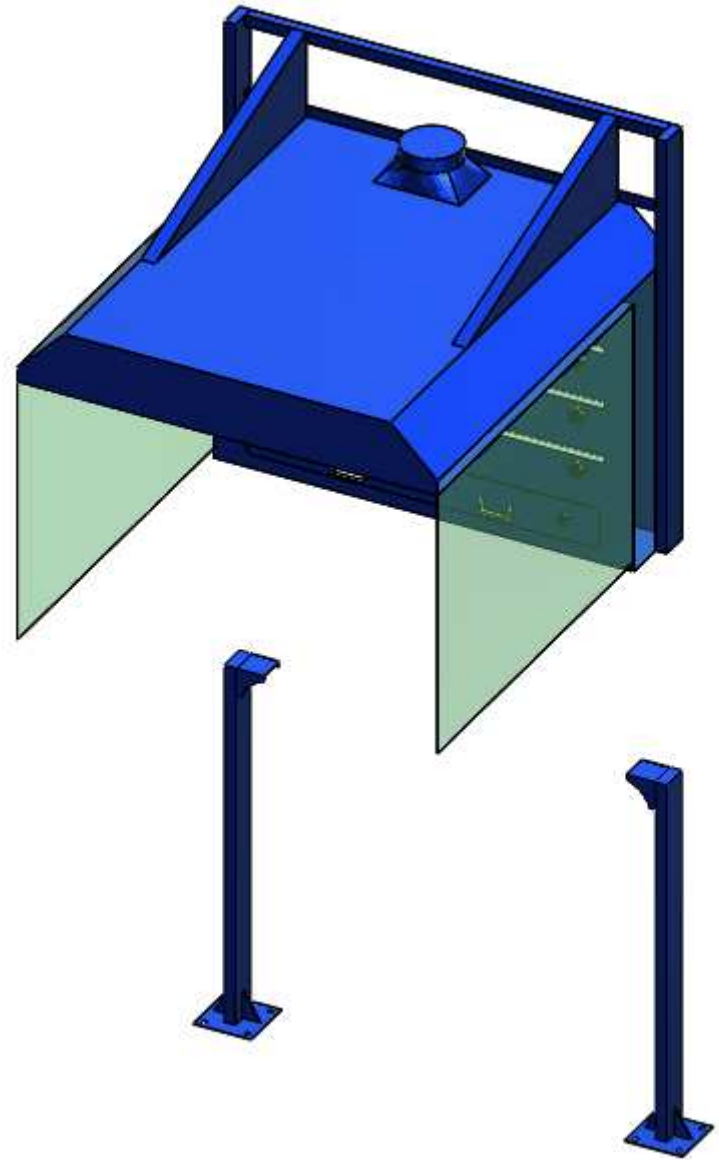




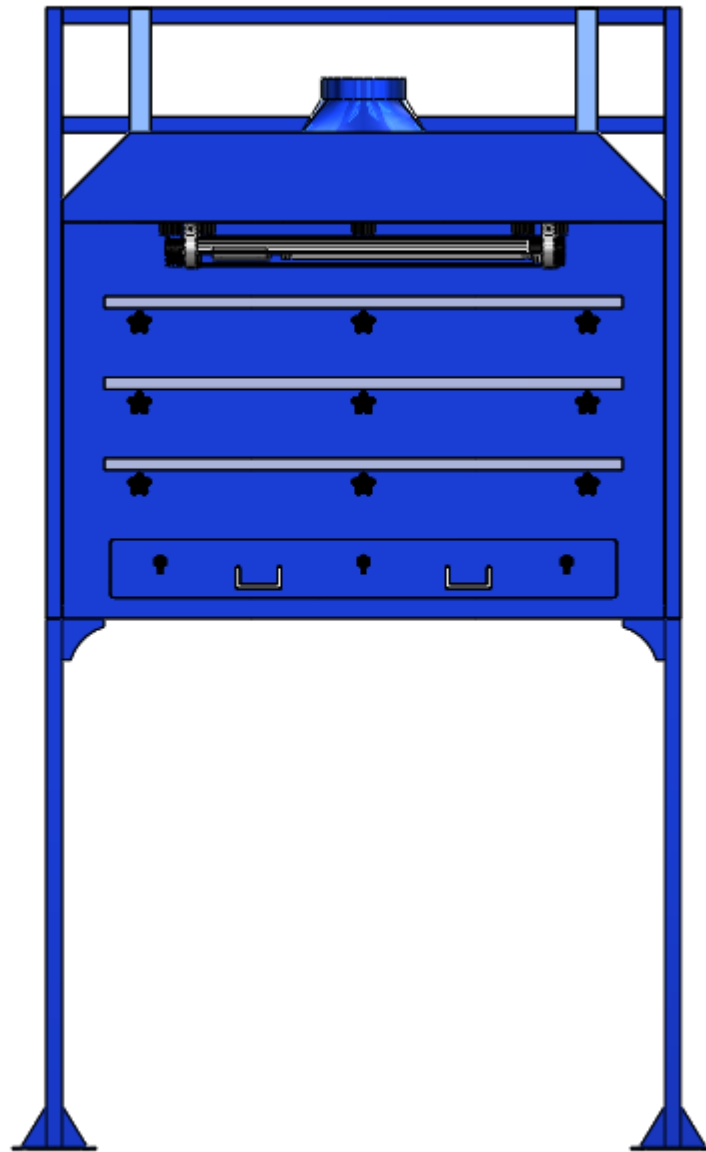


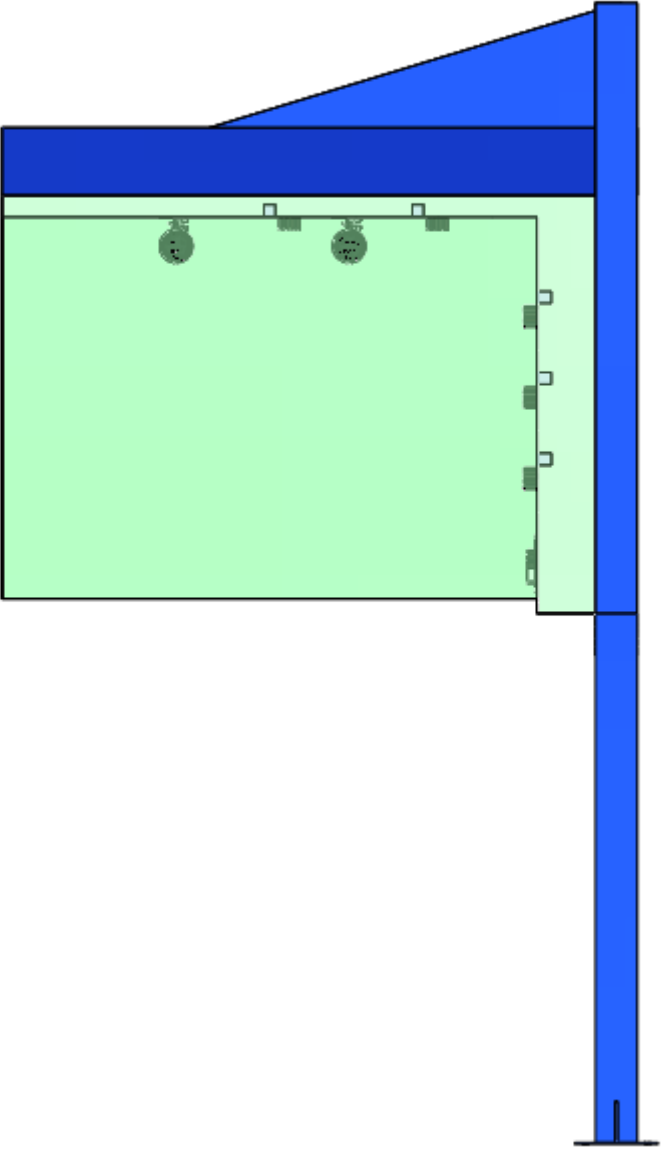


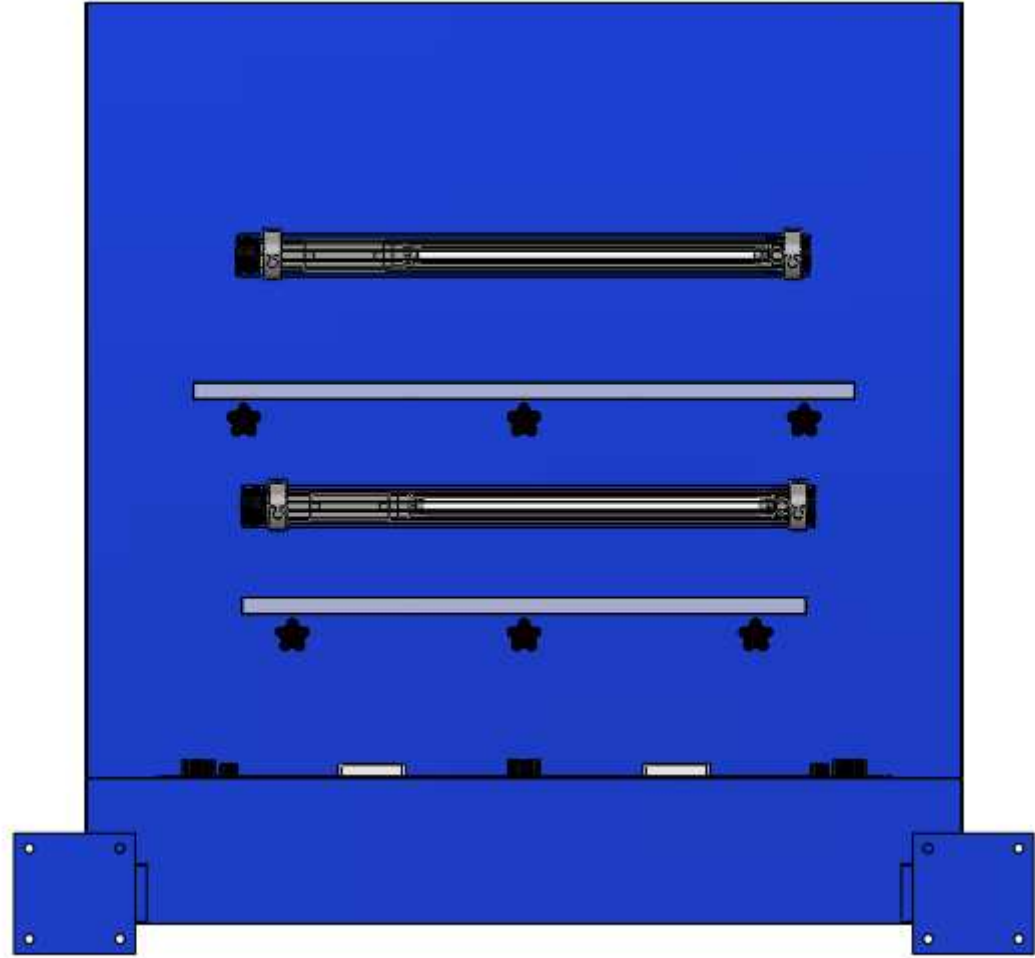












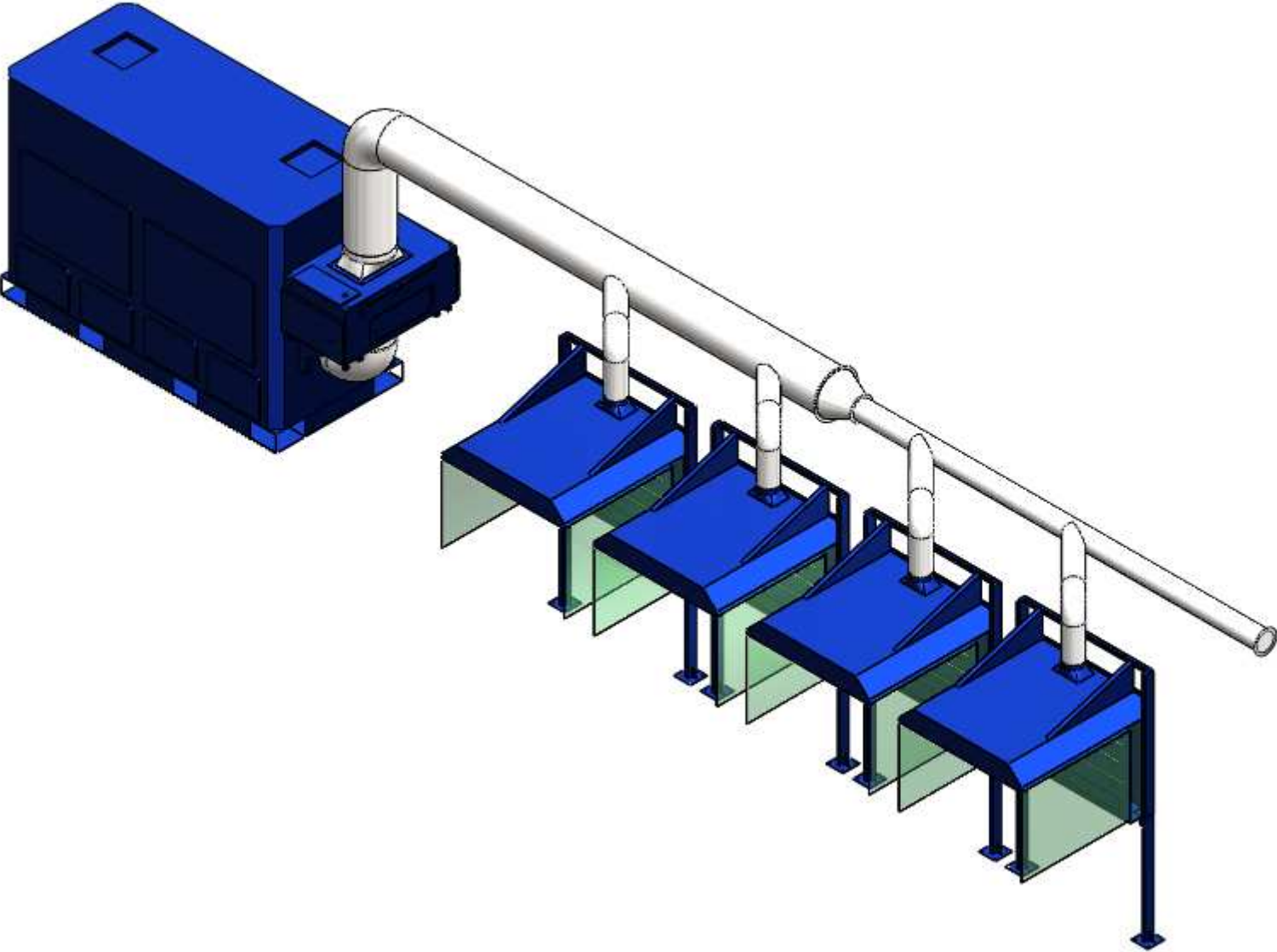
WB-5x5 insert bolted booth

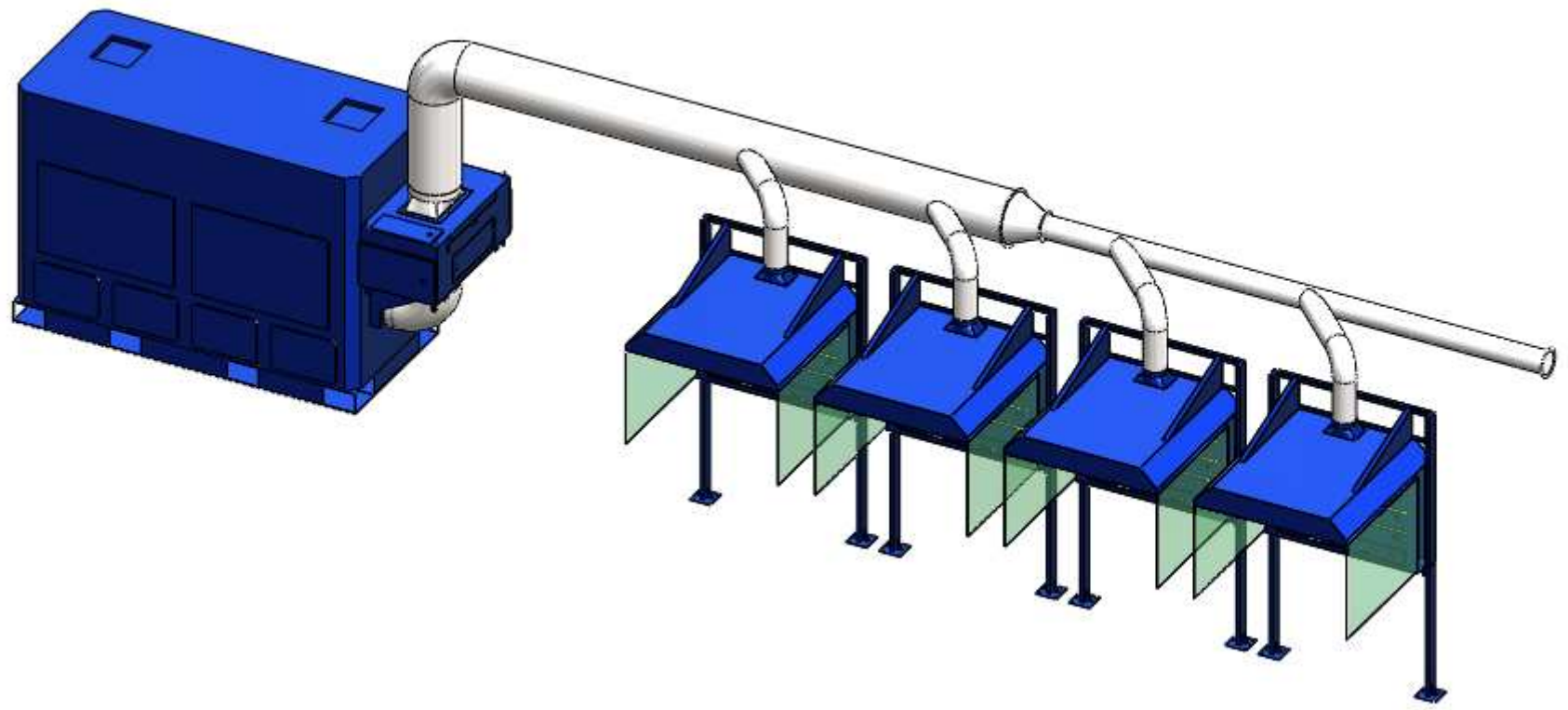
SDC-20-12 dust collector @  
6,000 CFM

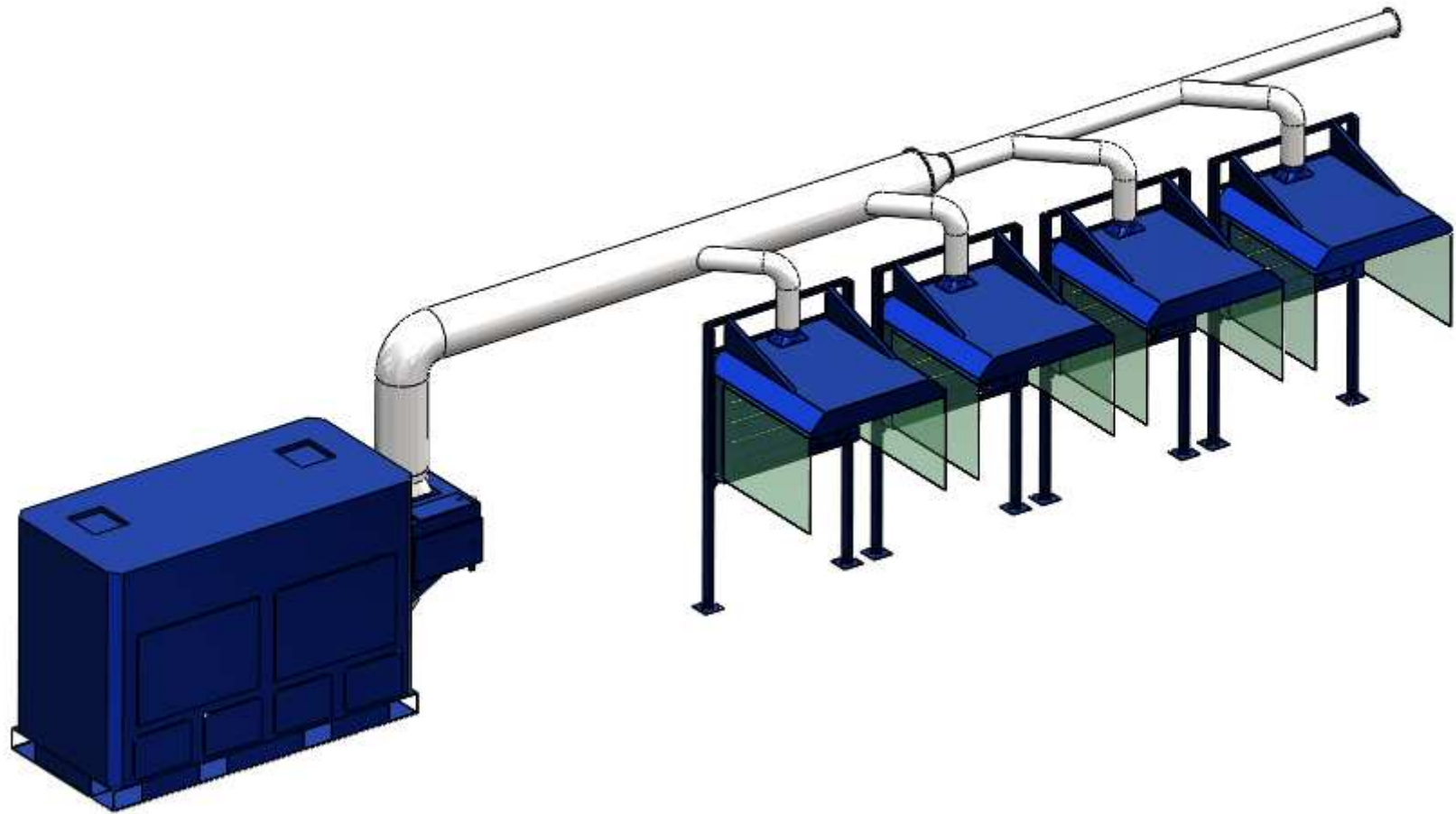
SRM-1000 (paper roll media)

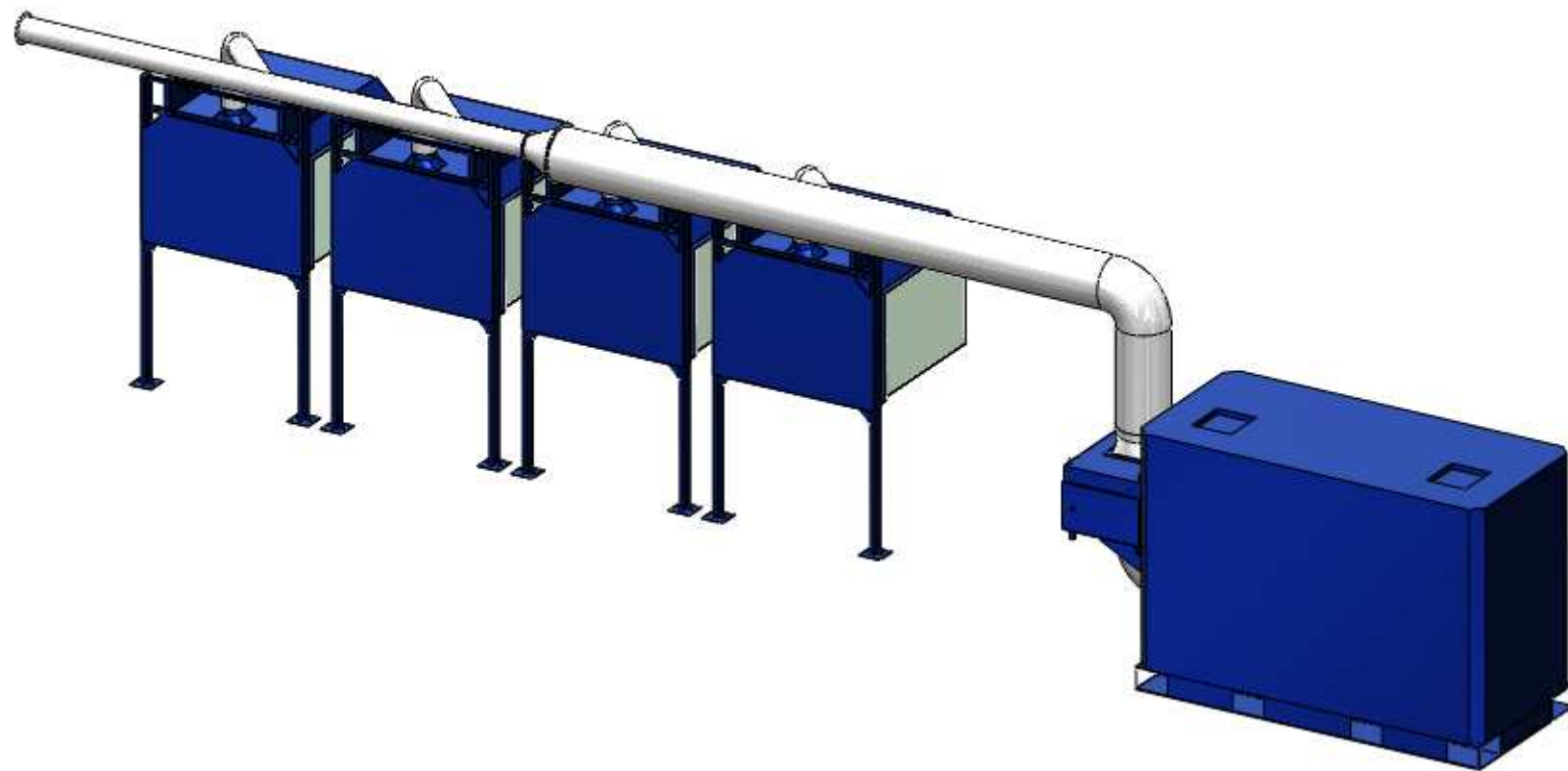
<for Hennessy>

January 26, 2010

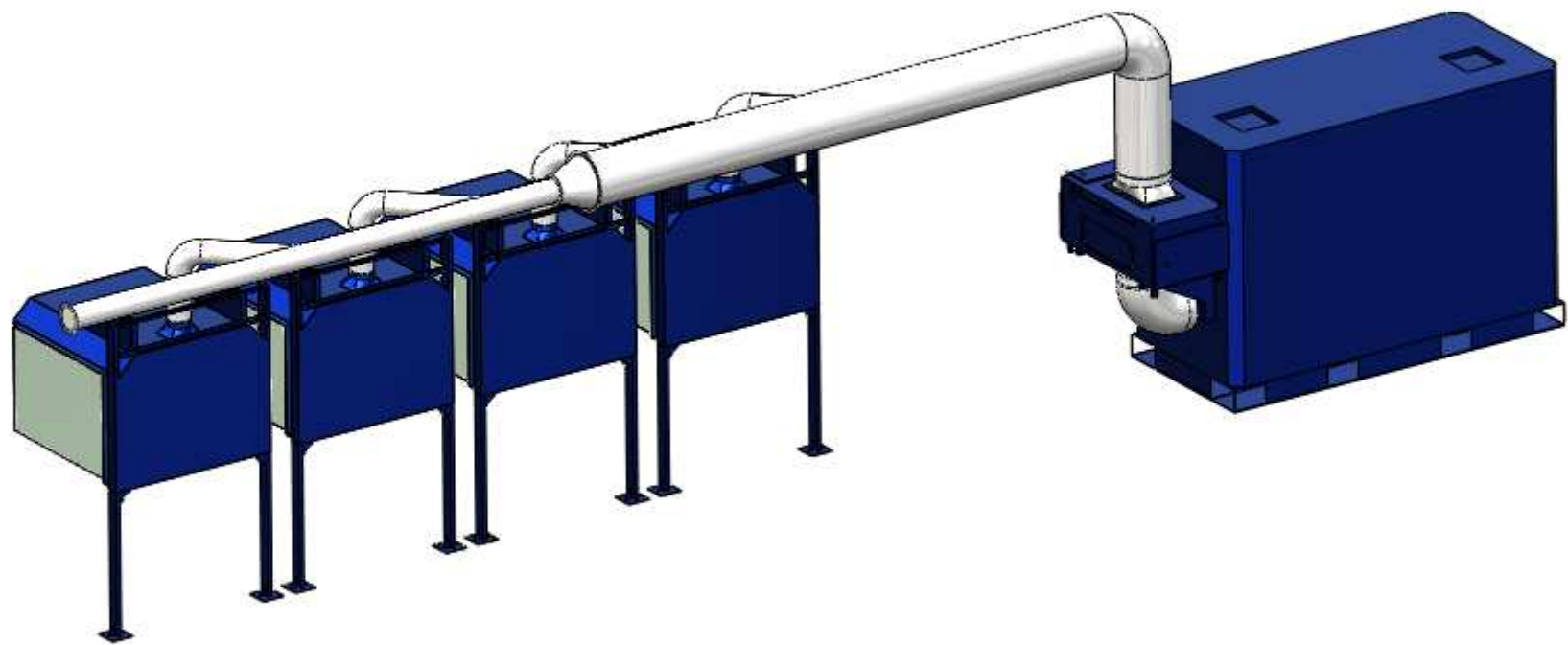


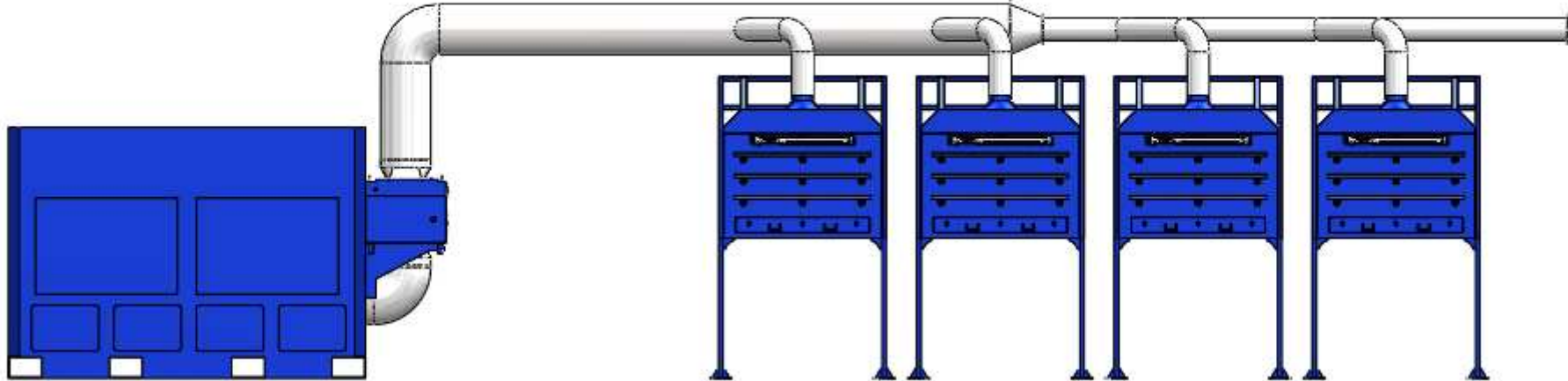


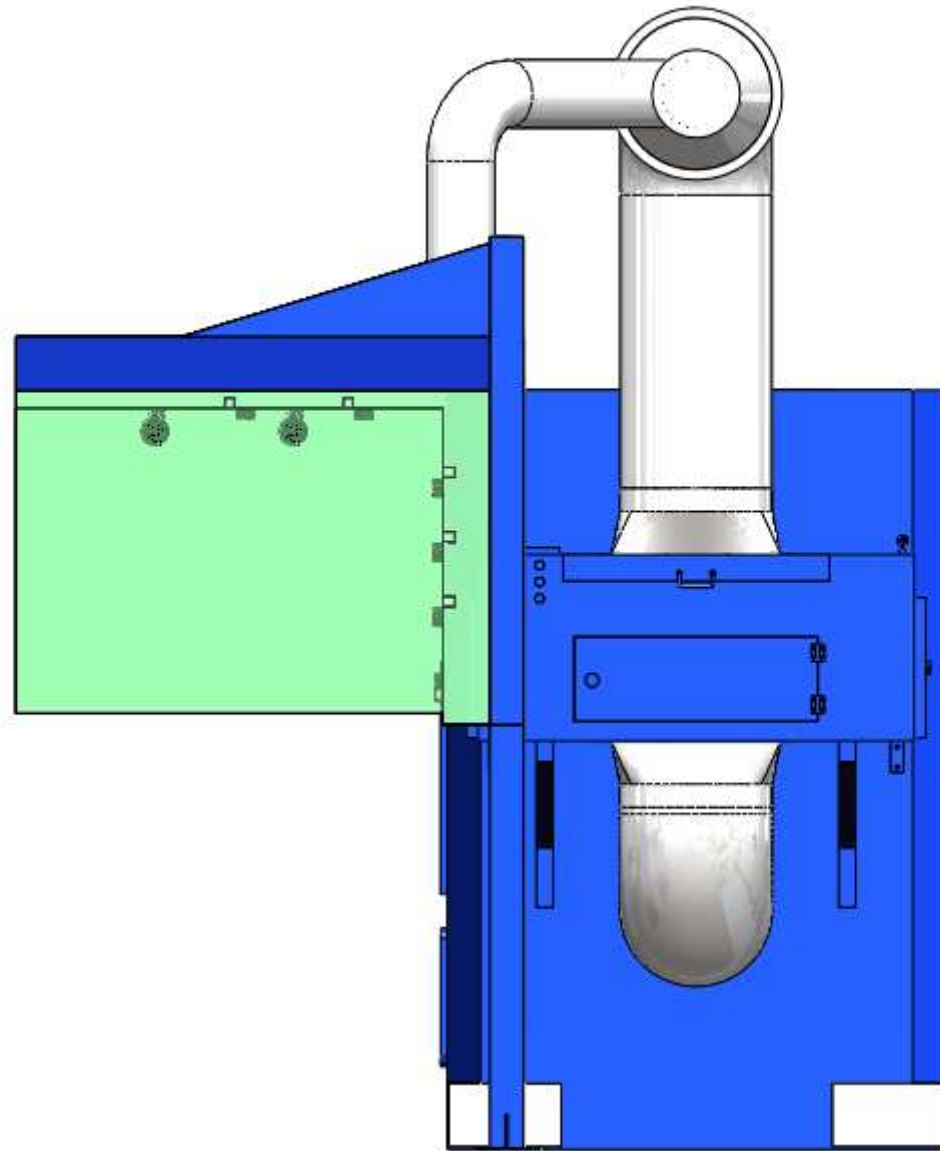


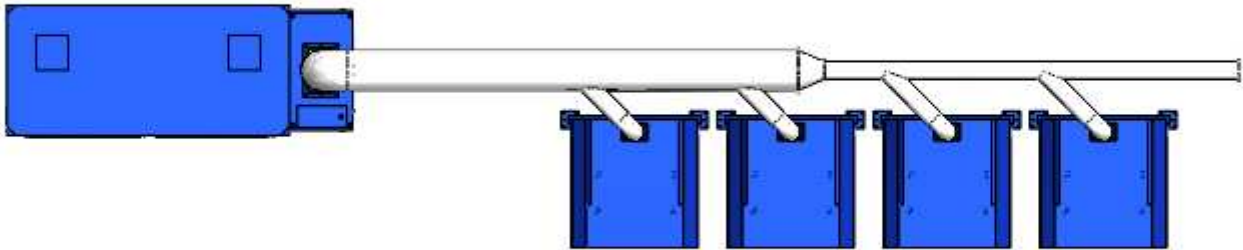












WB-5x5 insert bolted booth

SDC-20-12 dust collector @  
6,000 CFM

<for Hennessy>

January 26, 2010

