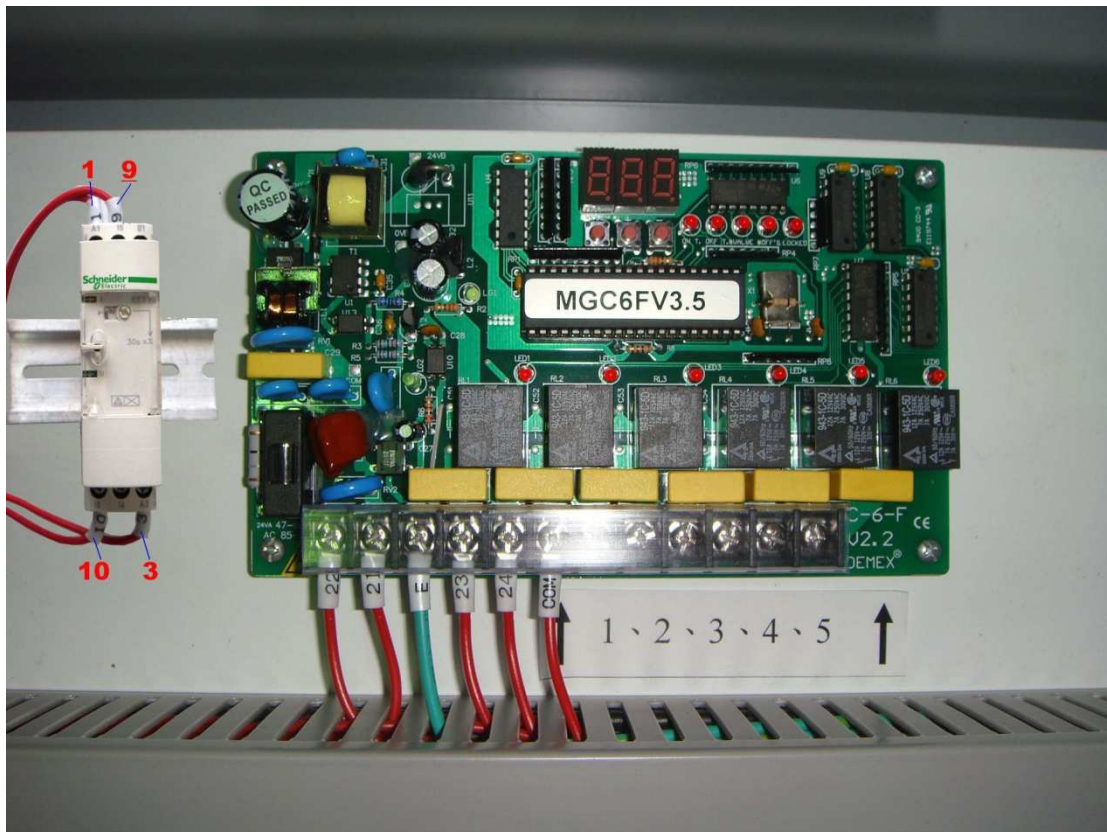


## (7) SDC-25-15 Controls

1. (7) sets of timer with four cables.

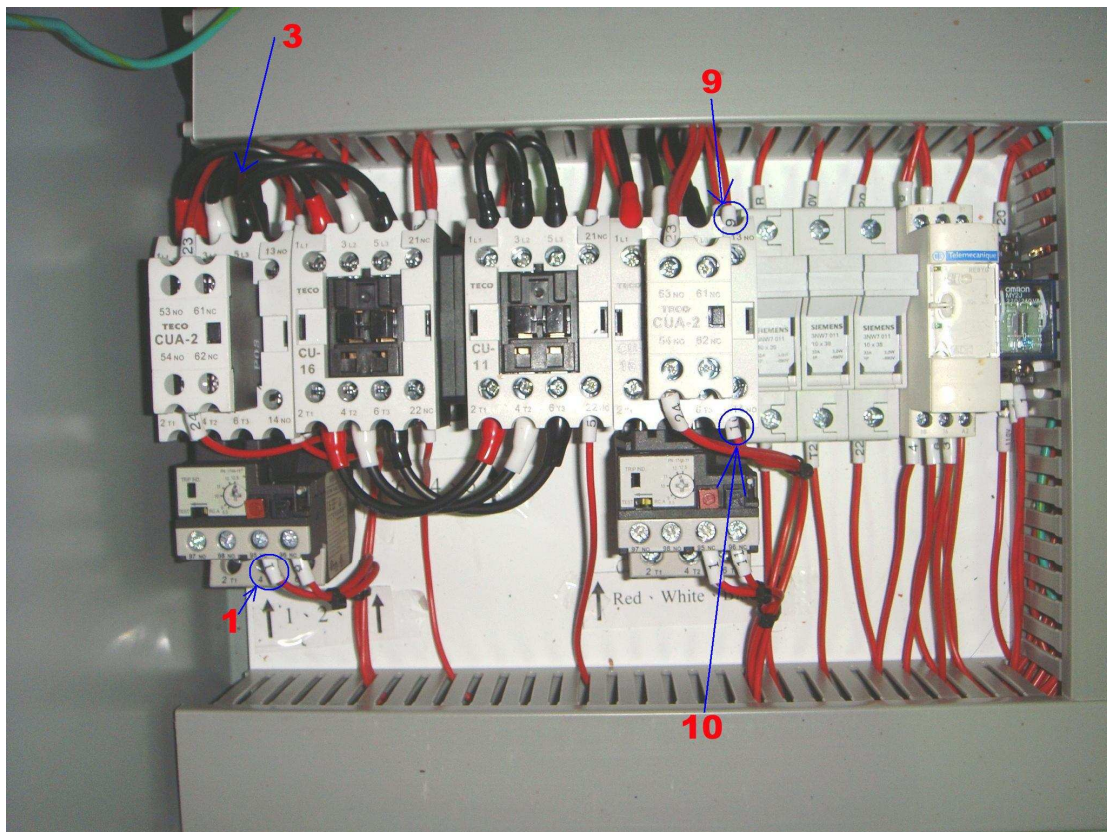


2. Install the timer near the IC board.



## (7) SDC-25-15 Controls

3. (4) terminals connected to the new timer with cables.



4. #3 close-up.

