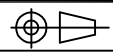


DO NOT SCALE

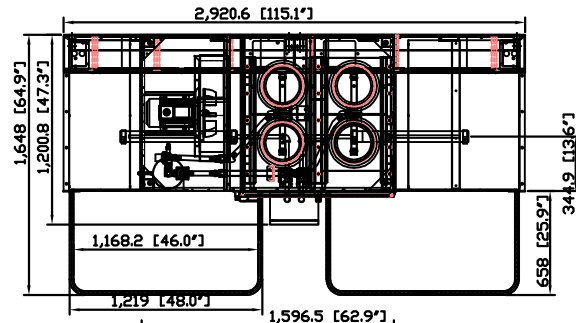
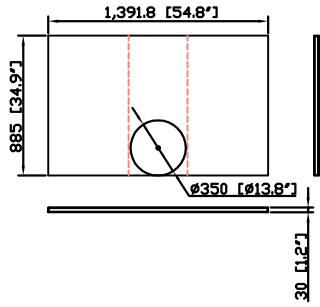
IF IN DOUBT ASK



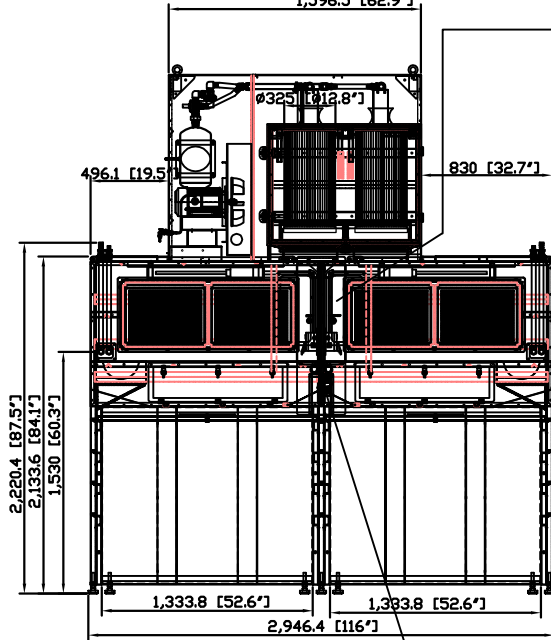
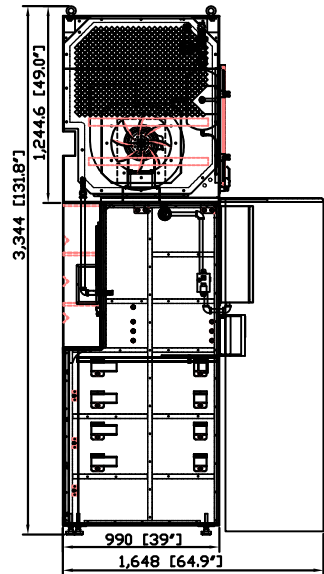
Revisions

Rev	Description	Date	Approved
-----	-------------	------	----------

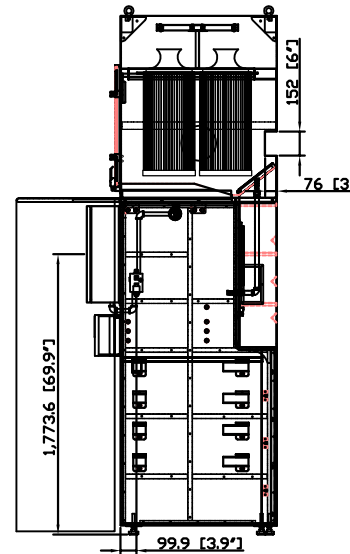
lazy susan



control box with transformer to step 460V down to 120V to run lights & 120V outlets



VFD



WB-3000 SPECIFICATIONS
collector centered

Motor:	5 HP NEMA
Airflow:	2340 ft ³ /min 3973.32 m ³ /hr
Filtration Stages:	1st - aluminum mesh x (2) pcs per station; total (4) pcs Spec: 355 x 495 x 22mm (14" x 19.5" x 0.87") 2nd - aluminum mesh x (2) pcs per dust collector Spec: 250 x 410 x 22mm (9.9" x 16.2" x 0.87") 3rd - cartridge filter x (4) pcs Spec: Dia. 325 x 660mmL (12.8" x 26"L) Filtering area: 20M ² x 4 = 80M ² (860.8 FT ²) Material: 80/20 FR
No. of Valves:	2
Compressed Air Requirement:	90 PSI
Compressed Air Reservoir:	2.63 gallon
Dimension:	294.64 x 164.8 x 334.4 cm (116 x 64.9 x 131.8 Inch)
Construction:	top mount dust collector: - 8 gauge steel to 14 gauge steel side panel: - 6 gauge steel to 14 gauge steel back panel: - 11 gauge steel to 14 gauge steel
Max. Operating Temp.:	120°C
Paint Color:	Blue
Control Box:	- UL Control Panel
Booth Apparatus:	- Non-Recessed Lights: (1) Explosion Proof Lights (110V, Single Phase, 60 Hz) per station - Adjustable Rear Shelf: (1) per station (solid with 2" hole drilled OR a lazy susan?) - (1) Compressed Air Connection per station - (1) CO ₂ or Gas Connection per station - (1) Light Switch per station - (1) Individual UL Certified Control Box (per 1 dust collector): ON/OFF, Timer, Emergency Stop; with transformer to step 460V down to 120V to run lights & 120V outlets, VFD
	OPTIONS *** (1) CO ₂ bracket per station

AVANI ENVIRONMENTAL INTL. INC. Sales Department
95 Cypress Drive
Youngsville, NC 27596

(919) 570-2862
info@avanienvironmental.com

Drawn by:	Date	Name	Part Number:
Checked by:	2012-01-30	***	ø325 x 660mmL ø12.8" x 26"L
The drawings, AutoCAD, 3-D Models, and specifications are the property of Avani Environmental Intl. Inc. (AE) and may not be reproduced, distributed, modified, or otherwise used, except provided herein, without the express written permission of AE.			

Title: **WB-3000 (OD: 9'-8"W)**
Dual Stations OD: 116"W

Size	Scale	Drawing Number:
C	1 = 35	collector centered Booth H: 7'