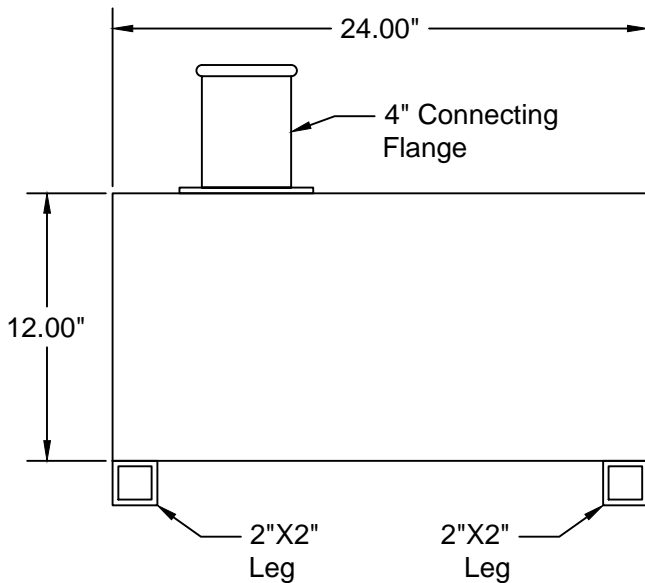
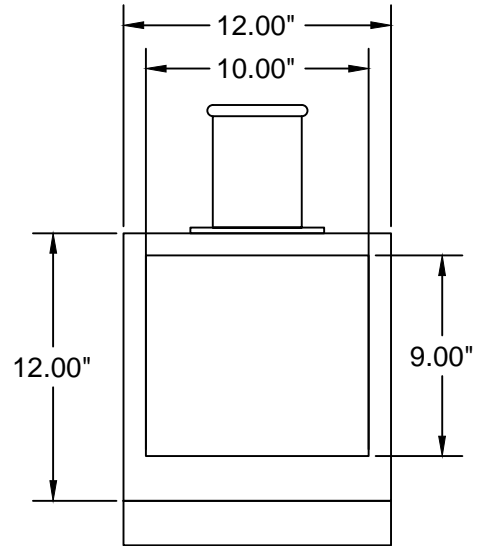


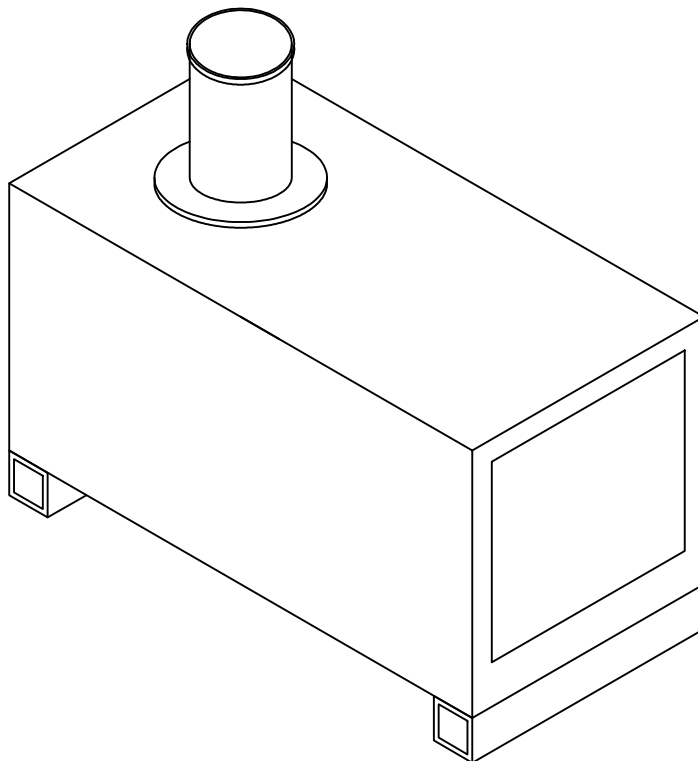
Global Precision SO21179 Blow Off Box



Side View



Front View



Isometric View

Notes:

1. Material is 16 GA Galvanized Steel
2. Connection Flange to be attached during install
3. 2"x2" Legs to support off of ground

Avani Environmental Intl.
95 Cypress Drive
Youngsville, NC 27596
P# 919-570-2862 F# 919-570-2863

Avani

Project: Global Precision SO21179

Drawing: Duct Layout

Date: 3/18/14

Drawn by: MDT

Sheet No: 1 of 1

Rev 0