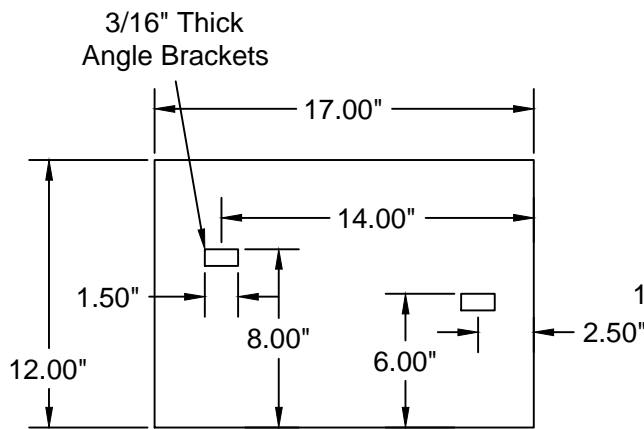
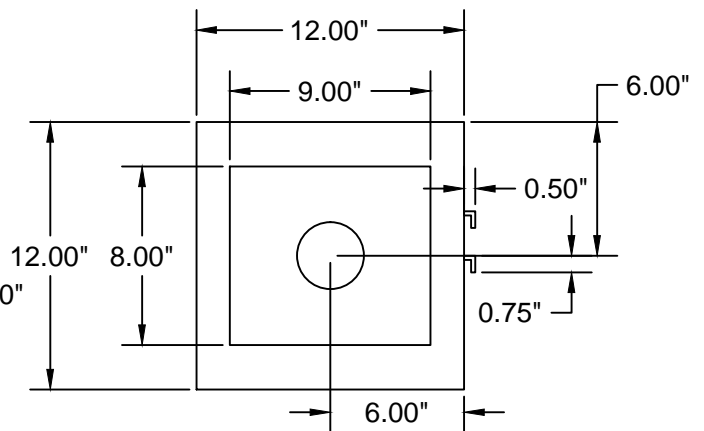


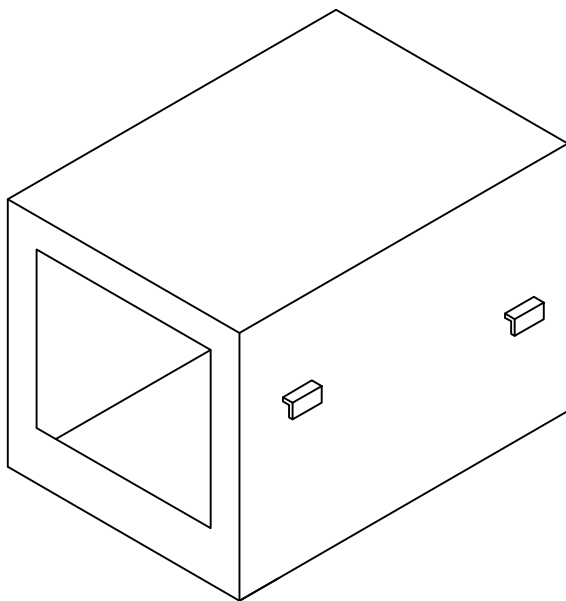
Global Precision SO21179 Blow Off Box



Side View



Front View



Isometric View

Notes:

1. Material is 16 GA Galvanized Steel
2. Connection Flange to be attached during install

Avani Environmental Intl.
95 Cypress Drive
Youngsville, NC 27596
P# 919-570-2862 F# 919-570-2863

Avani

Project: Global Precision SO21179

Drawing: Duct Layout

Date: 3/24/14

Drawn by: MDT

Sheet No: 1 of 1

Rev 1