



Navigation path: [Products](#) / [Immersion Pumps TS](#) / [TS12... TS24](#)



Immersion Pumps TS12... TS24 Peripheral Impellers

Immersion Pumps

Models TS12 to TS24 are suitable for **CNC machine tools** featuring coolant supply through the tool holder or driving spindle or equipped with internally cooled tool.

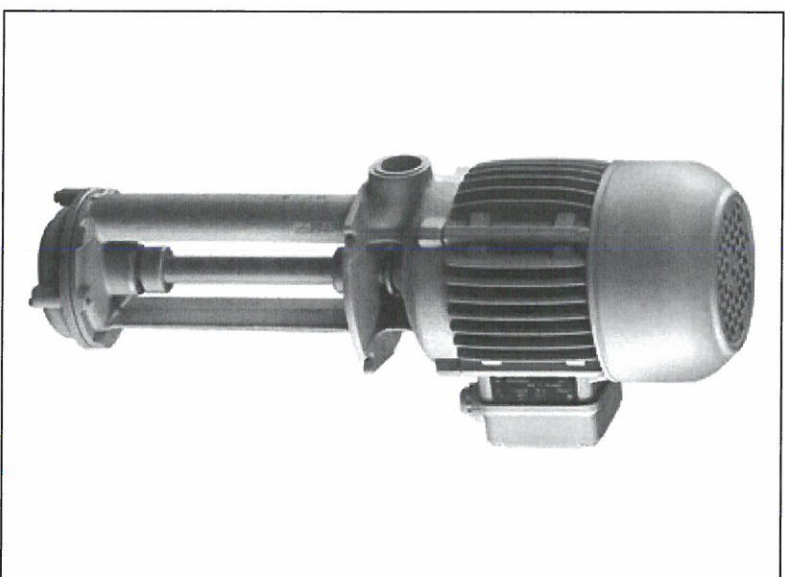
These pumps are equipped with a peripheral impeller to achieve a compact high pressure unit.

Series TS are suitable for filtered coolant only.

To reduce pump pressure, models TS22 to TS24 are also available with an optional YYY (Dahlander) motor configuration for 4 pole operation at half speed.



Special versions of the TS pumps can be supplied for use with temperature controlling systems carrying thermal oils of up to 150° C resp. 200° C.



Please select a pump for further information:
Pumps:

Electric specifications:

Type	Vol. del. at manom. del. head l/min /m	Height H mm	Depth of immersion h mm	Weight kg	Power kW	Voltage V 3~	Fre- quency Hz	Rated current A		
TS12/110	150	178	110	5.4	0.27	220-240 380-420 460	50	1.10		
	190		150	5.6					50	0.63
	250		190	5.8					60	0.63
	300		250	6.1					60	0.63
TS13/110	150	211	110	6.3	0.4	220-240 380-420 460	50	1.55		
	190		150	6.5					50	0.90
	250		190	6.7					60	0.90
	300		250	7.0					60	0.90
TS15/190	220	255	190	12.2	1.1	220-240 380-420 460	50	5.0		
	220		220	12.6					50	2.9
	220		220	12.6					60	2.9
	220		220	12.6					60	2.9
TS21/110	150	217	110	7.8	0.63	220-240 380-420 460	50	2.6		
	190		150	8.0					50	1.5
	250		190	8.2					60	1.5
	300		250	8.5					60	1.5
	350		300	8.9					60	1.5
TS22/110	150	235	110	9.7	0.92	220-240 380-420 460	50	4.7		
	190		150	9.9					50	2.7
	250		190	10.1					60	2.7
	300		250	10.4					60	2.7
	350		300	10.8					60	2.7
TS24/140	180	300	140	20.0	1.7	220-240 380-420 460	50	7.1		
	220		180	21.0					50	4.1
	220		180	21.0					50	4.1
	220		220	22.0					60	4.1

