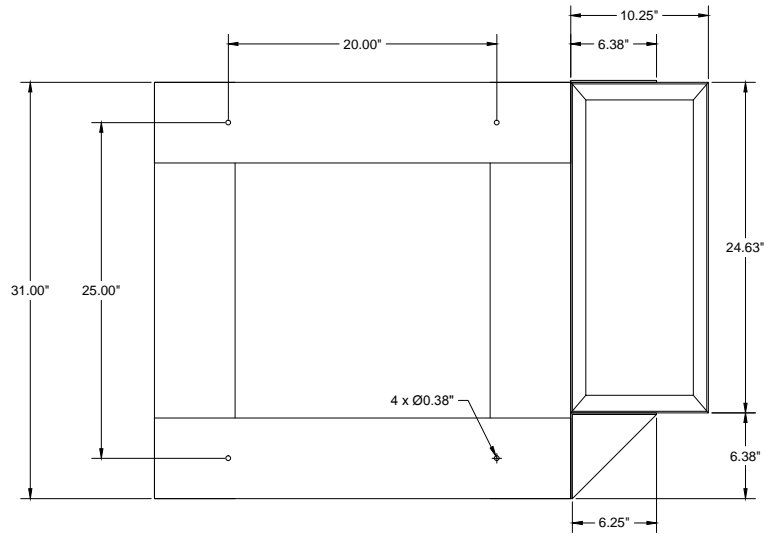
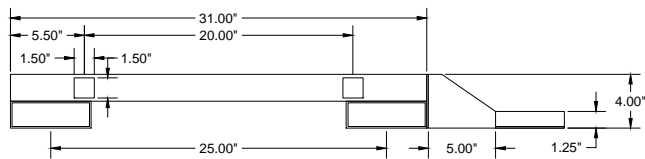


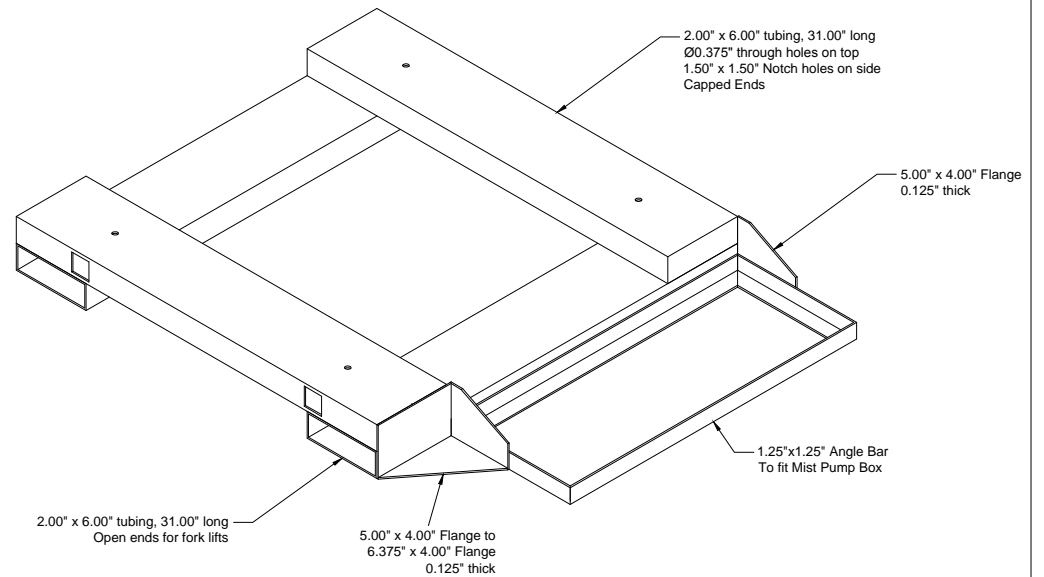
# Gleason Works A-Smoke 20 Base



Top View



Side View



Isometric View

Avani Environmental Intl.  
95 Cypress Drive  
Youngsville, NC 27596  
PH 919-570-2862 F# 919-570-2863

**Avani**

Project: Gleason Works	
Drawing: ASmoke 20 Base	
Date: 12/12/13	Drawn by:MDT
Sheet No: 1 OF 1	Rev.: 0