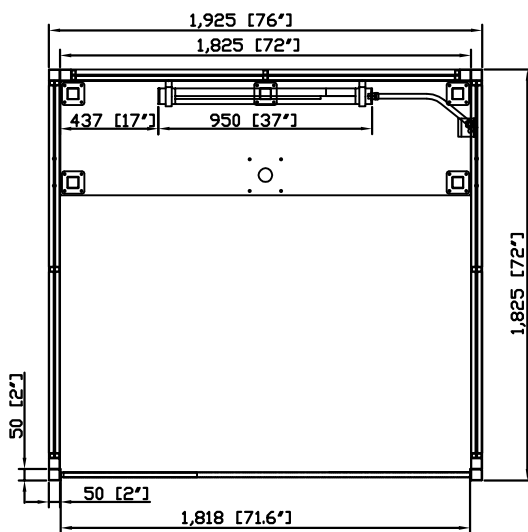
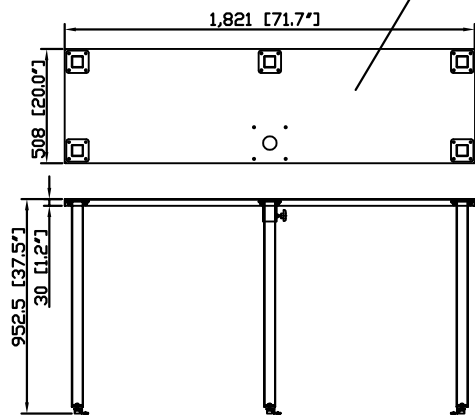




Revisions			
Rev	Description	Date	Approved

fixed height free standing table



**WB-1066 WELDING BOOTH SPECIFICATIONS**

- Adjustable Level System: (4) dia. 2.36" Feet
  - Panel Construction: 11-gauge welded steel
  - Welding Curtain Supports: (1) set welding curtain bar
  - Fume Arm Base Supports: (1) to match an optional bracket (6 bolt pattern) and an optional dia. 6" fume arm
  - Powder Coated: Avani Safety Blue Standard (custom colors available)
  - Three Piece Configuration: (2) side panels, (1) back panel.
  - Booths can be mounted back-to-back, side-by-side or both options
- \*\*\*Fixed Height Free Standing Table: 72"W x 20"D x 1.1"H (solid with 2" hole drilled)

**OPTIONS**

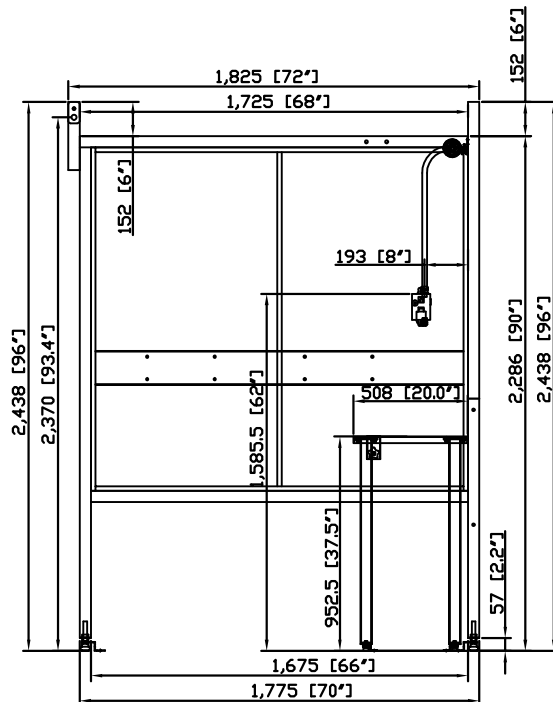
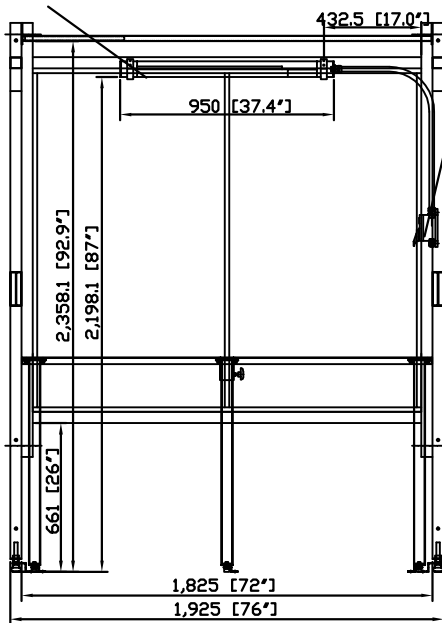
- Welded Nuts: Optional locations for J-Hooks
- Welding Nuts: For wire feeder or welder bracket

**OPTIONAL ACCESSORIES:**

- \*\*\*Working Lights: (1) Explosion Proof Lights (110V, Single Phase, 60 Hz, 20W, non-recessed)
- \*\*\*Electrical Outlets: (2) 110V Outlets @ (1) Switch - located at right side panel (additional single or three phase outlets available)

working light

light switch



AVANI ENVIRONMENTAL INTL. INC. Sales Department  
 95 Cypress Drive  
 Youngsville, NC 27596  
 (919) 570-2862  
 info@avanienvironmental.com

	Date	Name	Part Number:	Title:
Drawn by:	2012-11-13	***	Light	Booth WB-1066
Checked by:			Light Switch	
The drawings, AutoCAD, 3-D Models, and specifications are the property of Avani Environmental Intl. Inc. (AE) and may not be reproduced, distributed, modified, or otherwise used, except provided herein, without the express written permission of AE.				Size <b>E</b>

Scale	Drawing Number:
1 = 25	WB-6x6S