

DO NOT SCALE

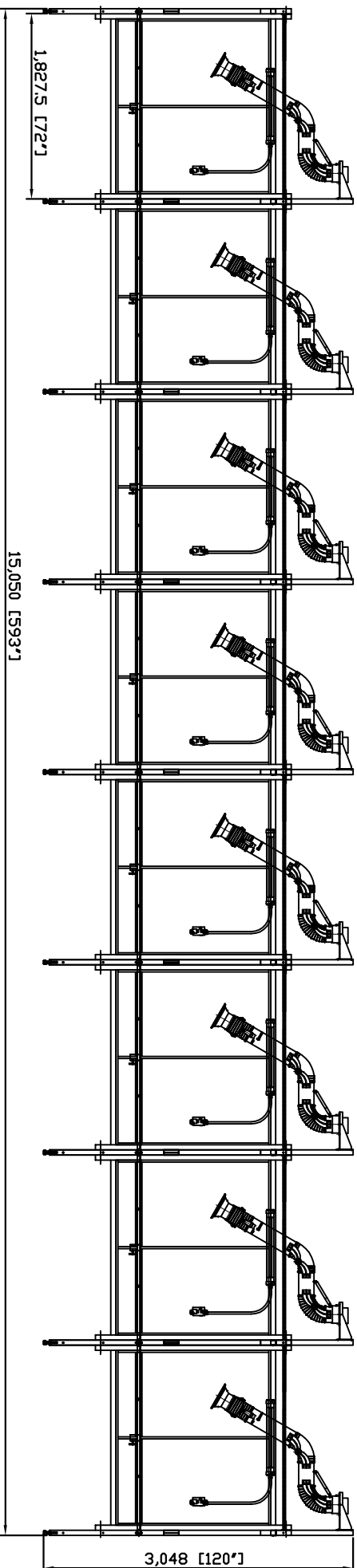
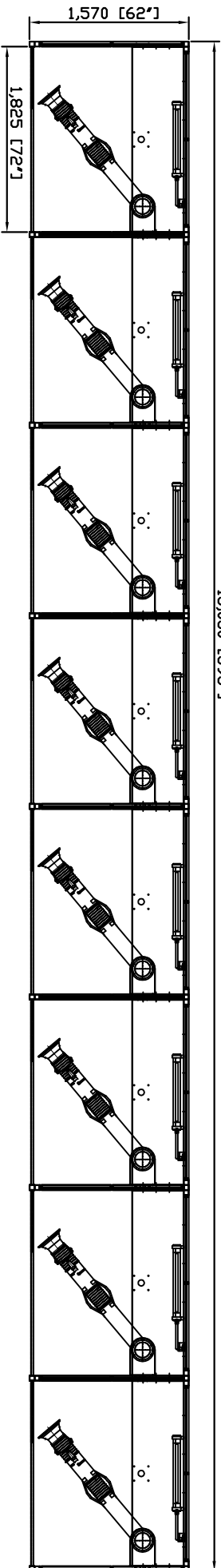
IF IN DOUBT ASK



Revisions			
Rev	Description	Date	Approved

Gateway College

PO # 5403



AVANI ENVIRONMENTAL INTL. INC. Sales Department
 95 Cypress Drive (919) 570-2862
 Youngsville, NC 27596 info@avanienvironmental.com

Drawn by:	Date	Name	Part Number:	Title:
Checked by:	2012-11-06	***	Light Switch	Booth WB-1066

The drawings, AutoCAD, 3-D Models, and specifications are the property of Avani Environmental Intl. Inc. (AE) and may not be reproduced, distributed, modified, or otherwise used, except provided herein, without the express written permission of AE.

Size **A** Scale 1 = 30 Drawing Number: WB-6X6S