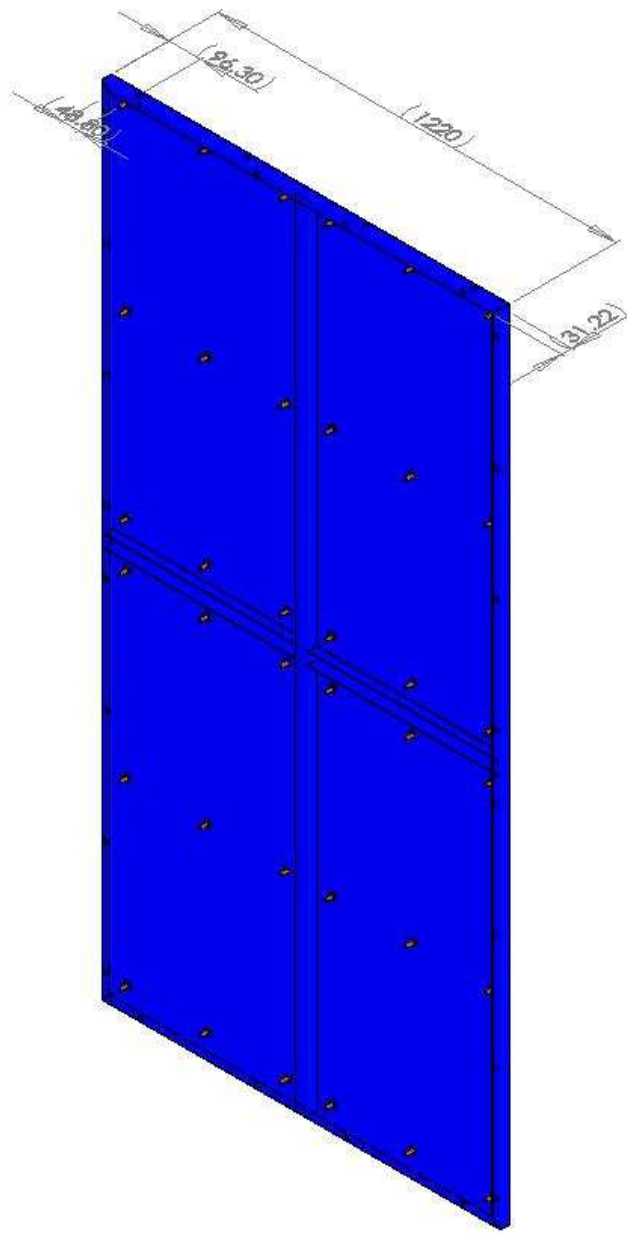


Environmental Booth

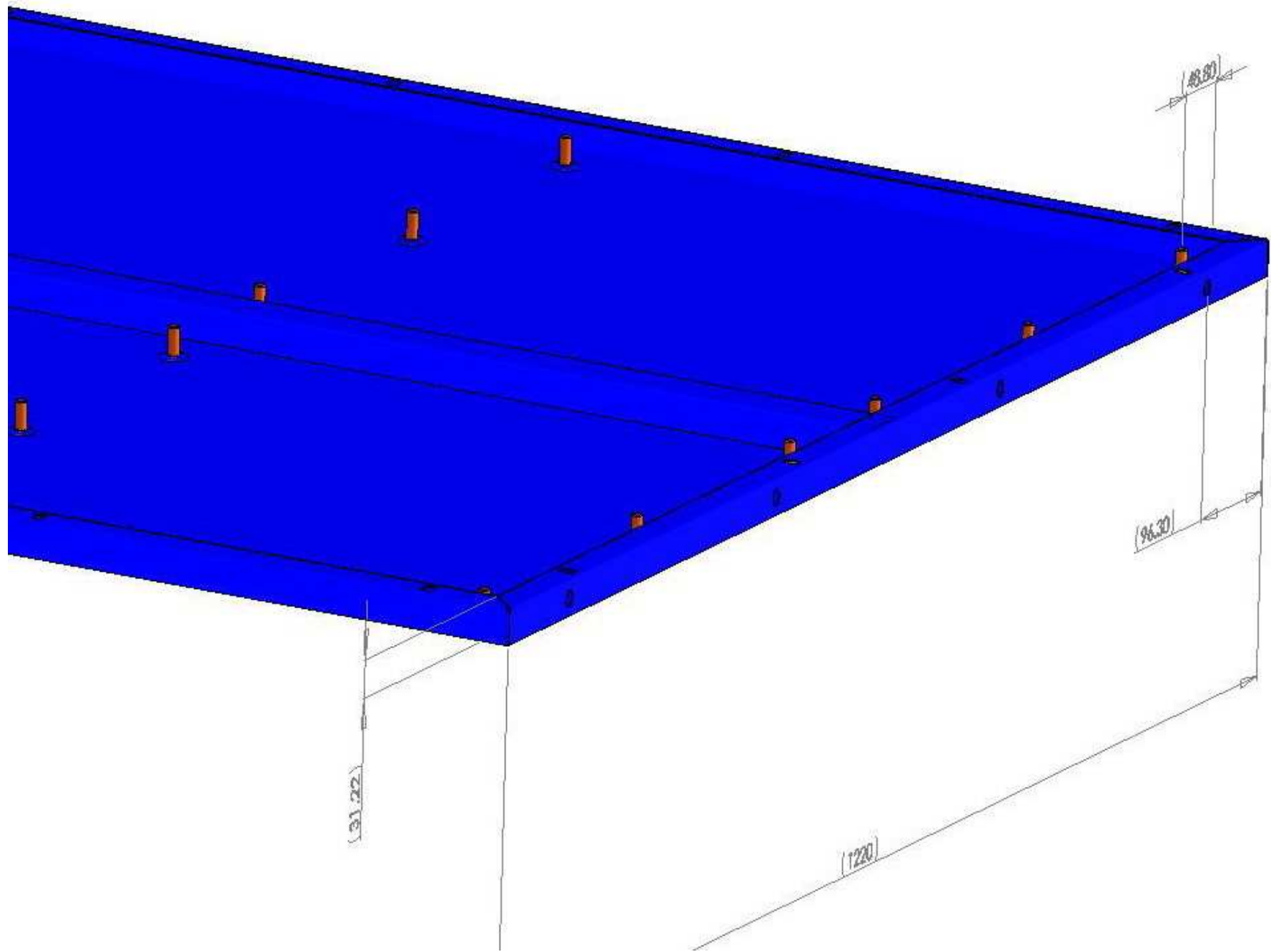
w/ EB-L-5-4
(SDC-5-4 grated front)

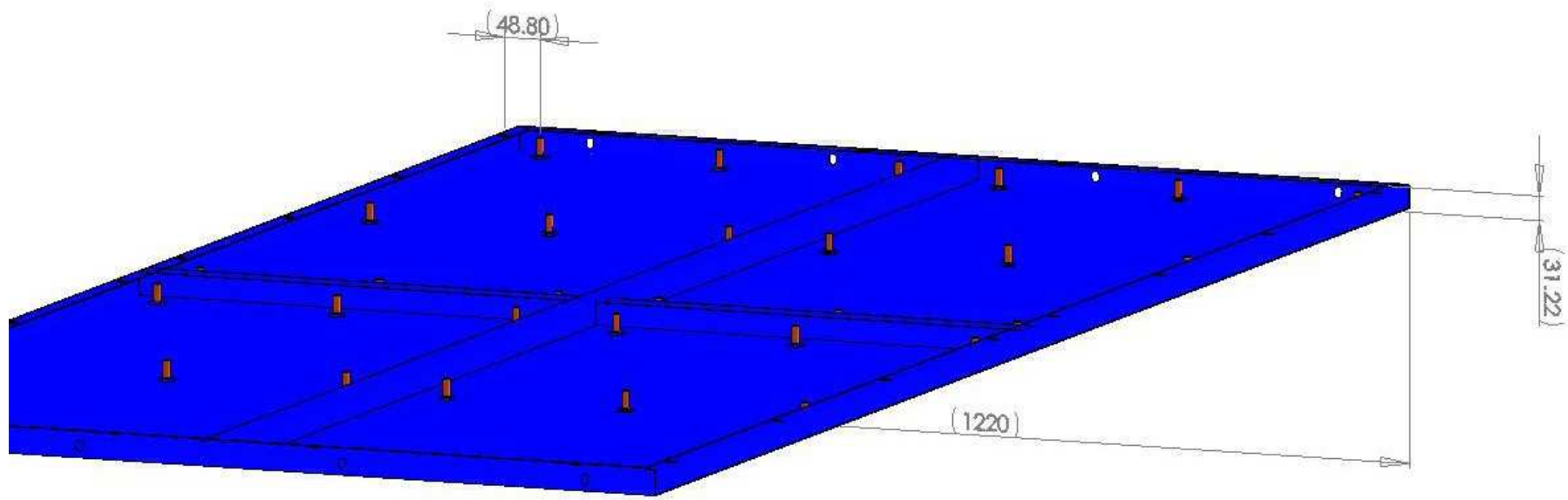
<for Fleet Readiness Center East Cherry Point>

July 20, 2010



measurement: m/m





(31.22)

