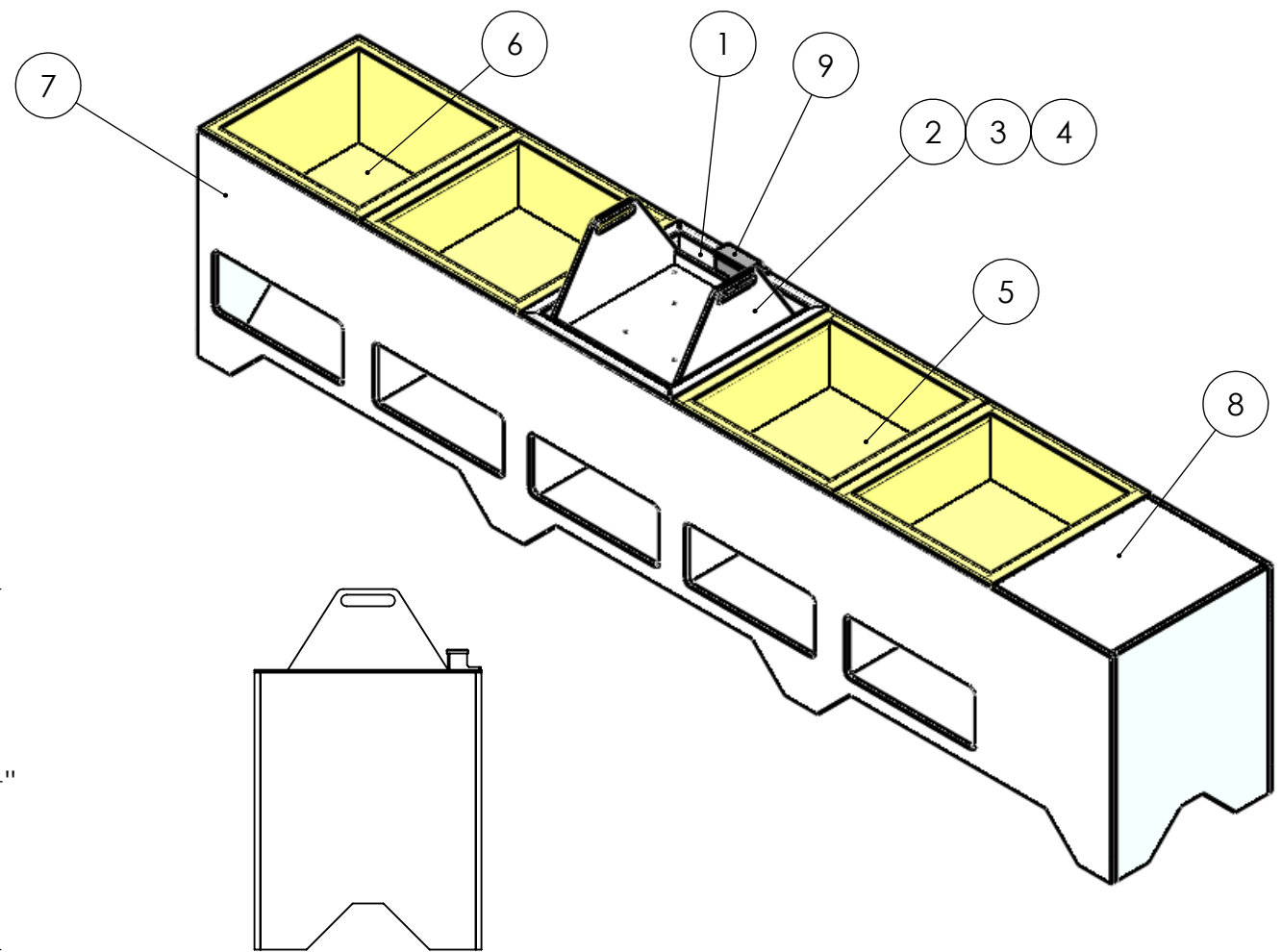
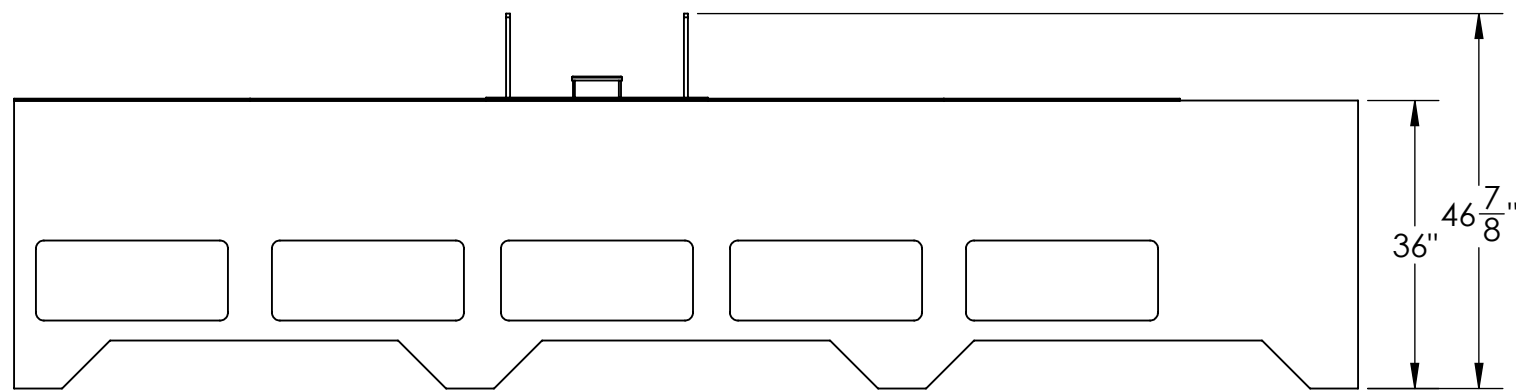
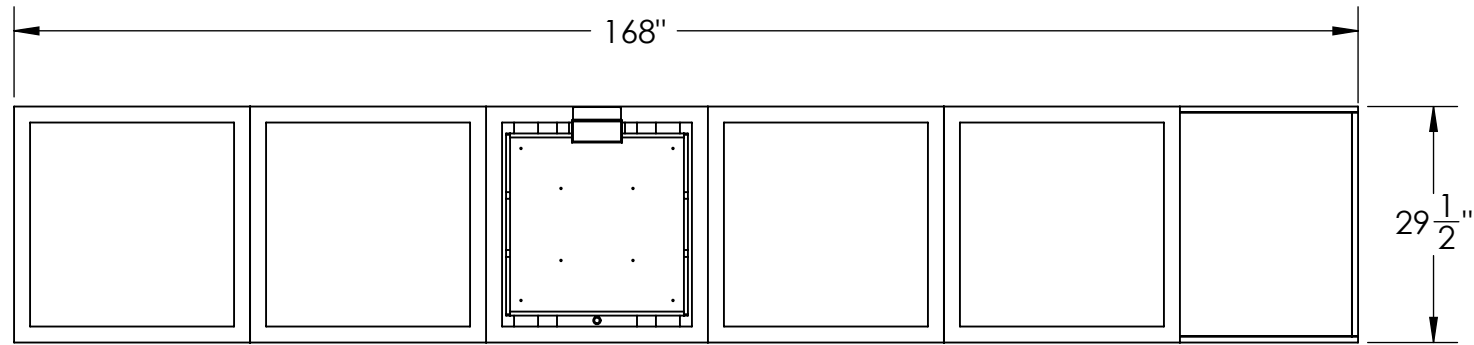


ITEM NO.	PART NUMBER	DESCRIPTION	QTY.
1	J4796-100	FIBERGLASS/PVDF TANK	1
2	J4796-902	DIPPING BASKET	1
3	J4796-901	DIPPING BASKET	1
4	J4796-900	8 X 12 DIPPING BASKET	1
5	J4796-201-001	TANK	3
6	J4796-200-001	TANK	1
7	J4796-600	PROCESS BENCH	1
8	J4796-600-001	BENCH TOP	1
9	J4796-HEATER	TEFLON HEATER	1



	NAME	DATE
DRAWN	JACOBSEN	11/1/2010
CHECKED		
ENG APPR.		
MFG APPR.		
Q.A.		
COMMENTS:		

Chicago Plastic Systems
(800) 244-8013
(815) 455-4599
sales@cpsfab.com

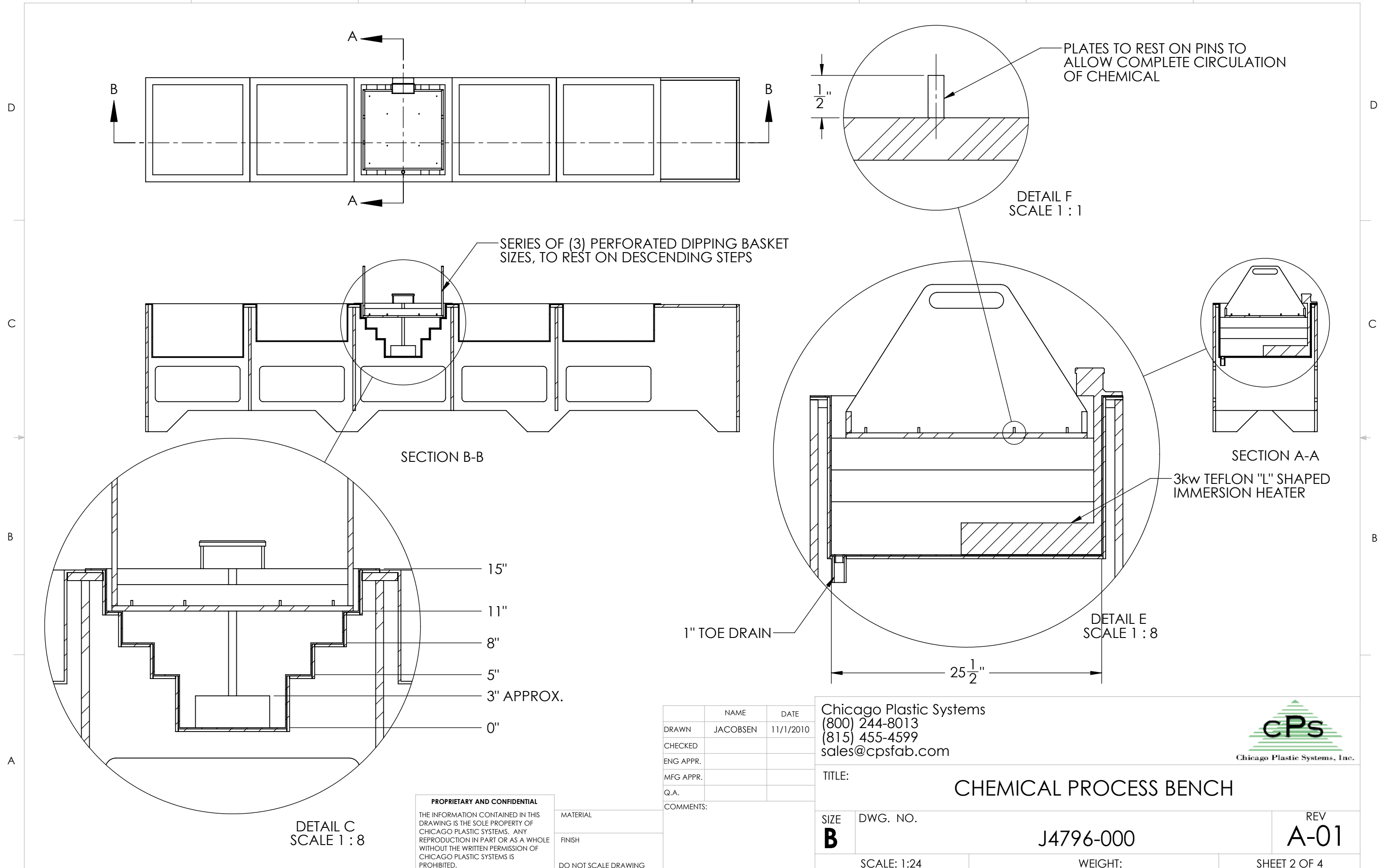


TITLE:		CHEMICAL PROCESS BENCH	
SIZE	DWG. NO.	REV	
B	J4796-000	A-01	
SCALE: 1:24	WEIGHT:	SHEET 1 OF 4	

PROPRIETARY AND CONFIDENTIAL
THE INFORMATION CONTAINED IN THIS DRAWING IS THE SOLE PROPERTY OF CHICAGO PLASTIC SYSTEMS. ANY REPRODUCTION IN PART OR AS A WHOLE WITHOUT THE WRITTEN PERMISSION OF CHICAGO PLASTIC SYSTEMS IS PROHIBITED.

MATERIAL
FINISH
DO NOT SCALE DRAWING

8 7 6 5 4 3 2 1



D
C
B
A

D
C
B

DETAIL C
SCALE 1 : 8

DETAIL F
SCALE 1 : 1

DETAIL E
SCALE 1 : 8

PROPRIETARY AND CONFIDENTIAL
 THE INFORMATION CONTAINED IN THIS DRAWING IS THE SOLE PROPERTY OF CHICAGO PLASTIC SYSTEMS. ANY REPRODUCTION IN PART OR AS A WHOLE WITHOUT THE WRITTEN PERMISSION OF CHICAGO PLASTIC SYSTEMS IS PROHIBITED.

MATERIAL
 FINISH
 DO NOT SCALE DRAWING

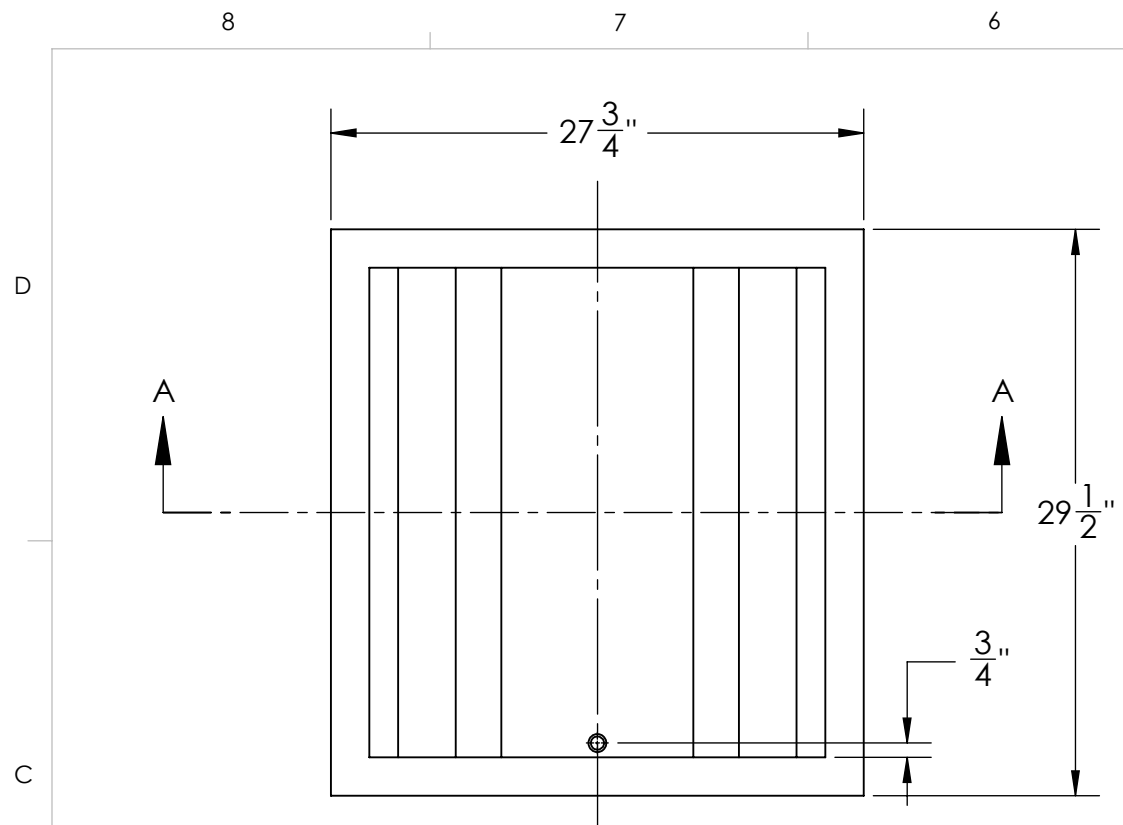
	NAME	DATE
DRAWN	JACOBSEN	11/1/2010
CHECKED		
ENG APPR.		
MFG APPR.		
Q.A.		
COMMENTS:		

Chicago Plastic Systems
 (800) 244-8013
 (815) 455-4599
 sales@cpsfab.com

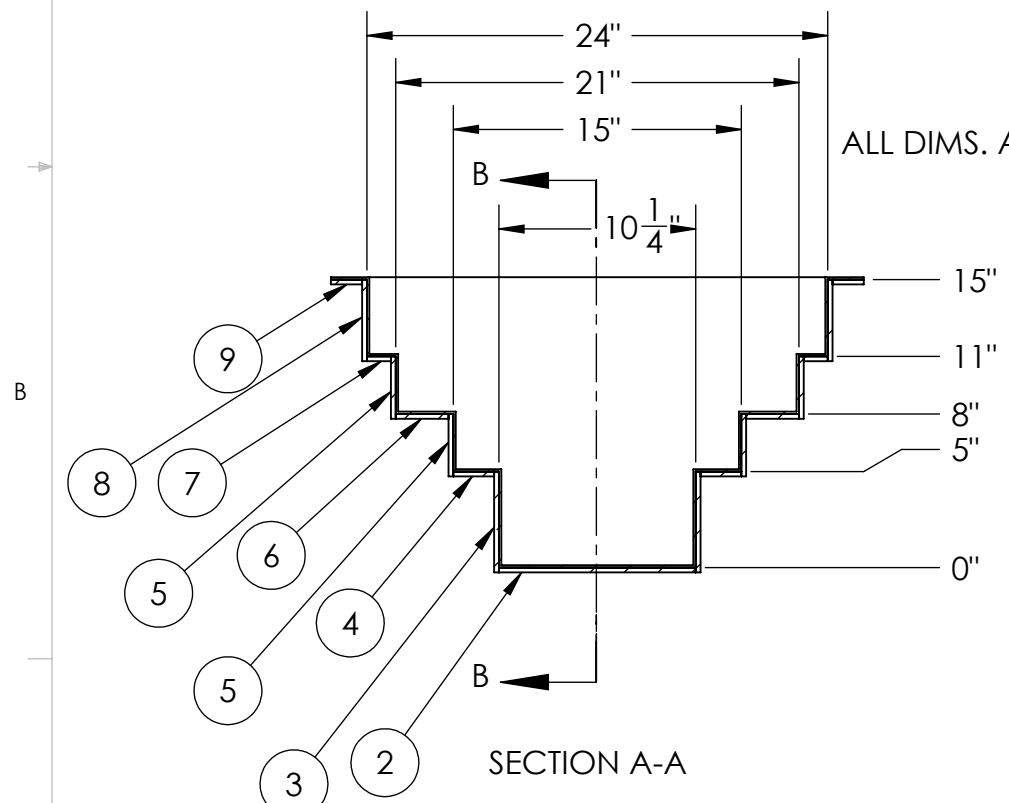


TITLE:		CHEMICAL PROCESS BENCH	
SIZE	DWG. NO.	REV	
B	J4796-000	A-01	
SCALE: 1:24		WEIGHT:	SHEET 2 OF 4

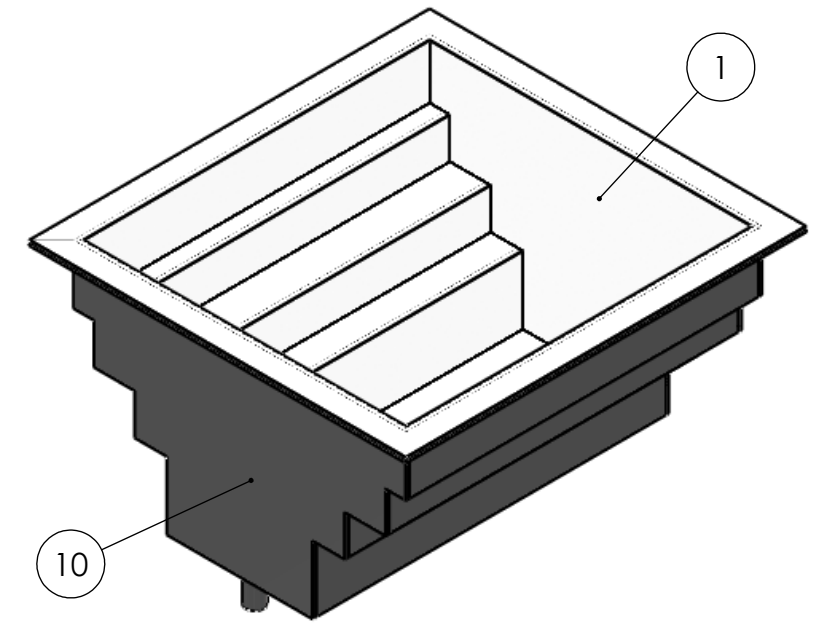
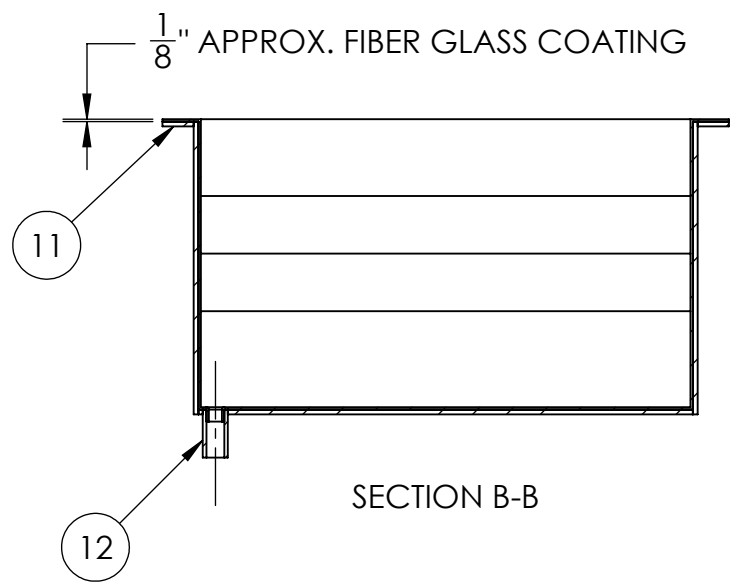
8 7 6 5 4 3 2 1



Item No.	Qty.	Part Number	Description	StockSize	Material
1	1	J4796-100-001	FIBERGLASS TANK SHELL	AS REQUIRED	A-Glass Fiber
2	1	J4796-100-008	TANK BOTTOM	1/4 X 10 1/4 X 25 3/4	PVDF
3	2	J4796-100-005	TANK SIDE WALL	1/4 X 5 1/4 X 25 3/4	PVDF
4	2	J4796-100-007	TANK SIDE WALL	1/4 X 2 1/8 X 25 3/4	PVDF
5	4	J4796-100-011	TANK SIDE WALL	1/4 X 3 1/4 X 25 3/4	PVDF
6	2	J4796-100-006	TANK SIDE WALL	1/4 X 2 3/4 X 25 3/4	PVDF
7	2	J4796-100-004	TANK SIDE WALL	1/4 X 1 1/4 X 25 3/4	PVDF
8	2	J4796-100-002	TANK SIDE PIECE	1/4 X 4 1/4 X 25 3/4	PVDF
9	2	J4796-100-009	TANK SIDE FLANGE	1/4 X 1 5/8 X 29 1/2	PVDF
10	2	J4796-100-003	TANK FRONT	1/4 X 15 1/4 X 24 1/2	PVDF
11	2	J4796-100-010	TANK FLANGE FRONT AND BACK	1/4 X 1 5/8 X 27 3/4	PVDF
12	1	PVC SCH80 Pipe, 1in, 1	DRAIN	1" X 2 S-80 PIPE	PVDF



ALL DIMS. ARE I.D.'s OF PVDF TANK



NOTES:

1. TANK TO BE ASSEMBLED IN A BENCH SET UP WITH ADDITIONAL PROCESS TANKS.
2. SOLUTION IS COMBINATION OF HNO3 AND HCL
3. SOLUTION TO BE OPERATED AT 150 F. WITH A 1 TO 2 HOUR HEAT UP TIME
4. 240 VOLT 1 Ø HEATER CONTROLLER TO BE DIGITAL TYPE AND TO BE MOUNTED APPRX. 50' FROM TANK
5. SOLUTION DEPTH WILL VARY FROM 8" TO 14" (TOTAL TANK VOLUME WITH 1" FREEBOARD IS APPROX. 25.1 GALS.)

PROPRIETARY AND CONFIDENTIAL
 THE INFORMATION CONTAINED IN THIS DRAWING IS THE SOLE PROPERTY OF CHICAGO PLASTIC SYSTEMS. ANY REPRODUCTION IN PART OR AS A WHOLE WITHOUT THE WRITTEN PERMISSION OF CHICAGO PLASTIC SYSTEMS IS PROHIBITED.

MATERIAL
 FINISH
 DO NOT SCALE DRAWING

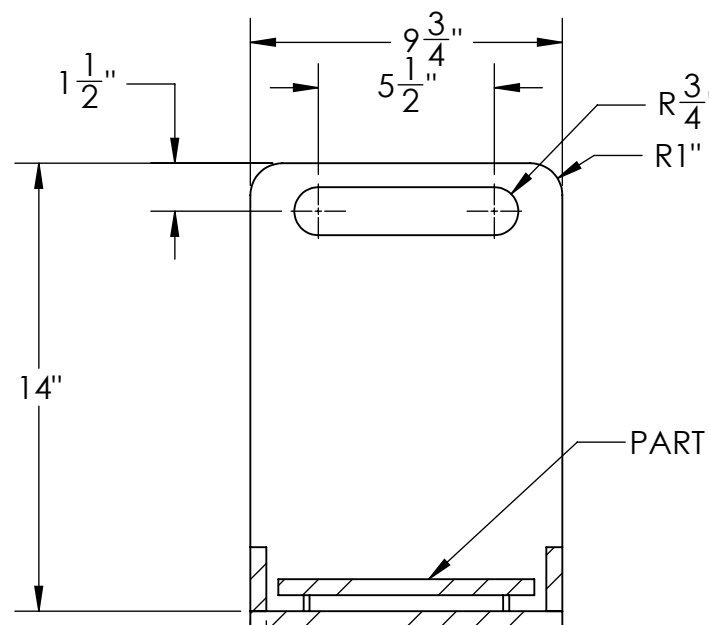
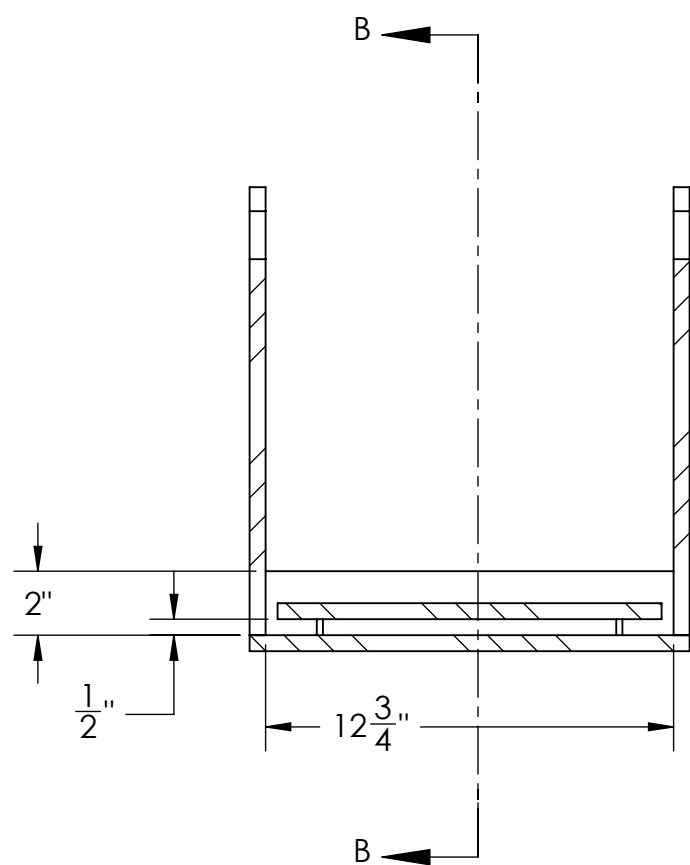
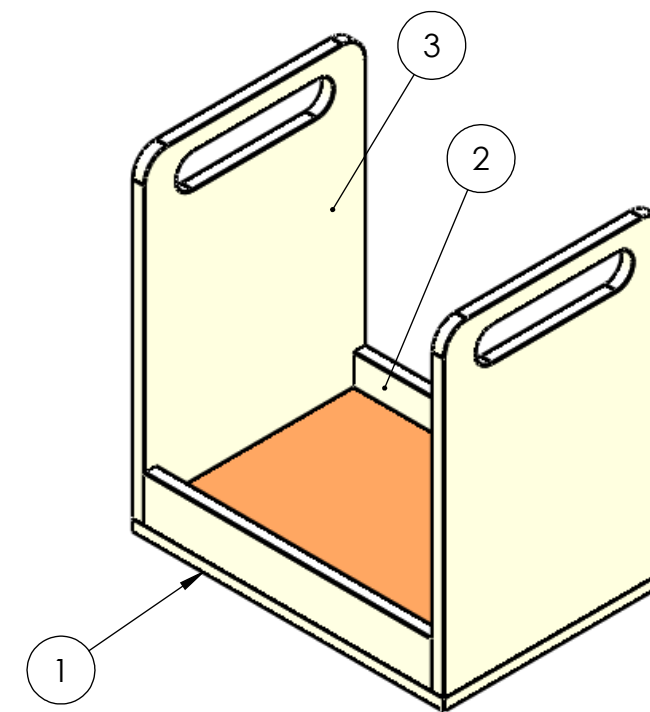
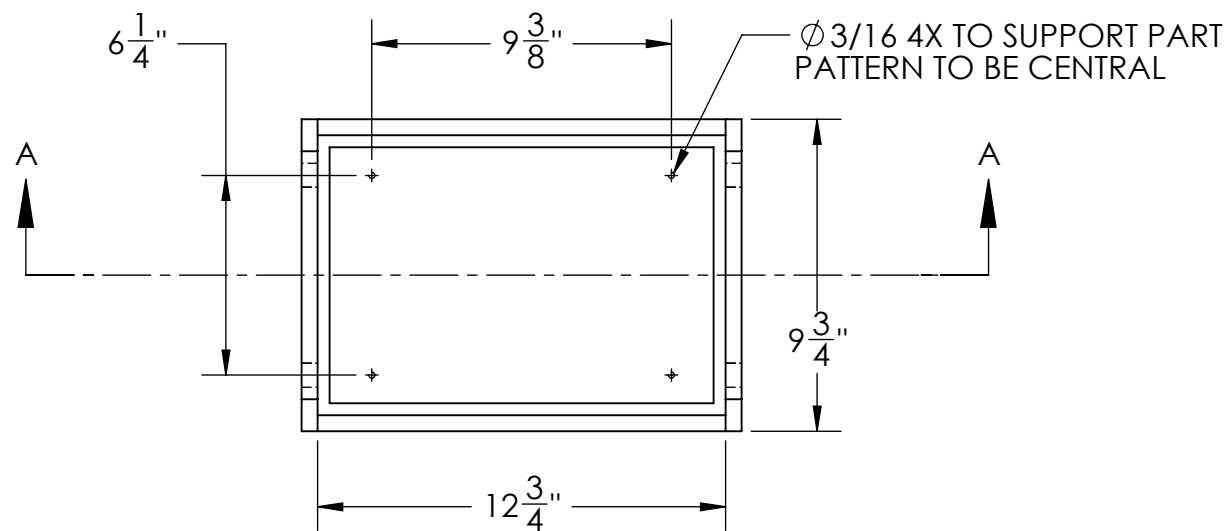
	NAME	DATE
DRAWN	JACOBSEN	11/1/2010
CHECKED		
ENG APPR.		
MFG APPR.		
Q.A.		
COMMENTS:		

Chicago Plastic Systems
 (800) 244-8013
 (815) 455-4599
 sales@cpsfab.com



TITLE:		FIBERGLASS/PVDF TANK		
SIZE	DWG. NO.	REV		
B	J4796-000	A-01		
SCALE: 1:10	WEIGHT:	SHEET 3 OF 4		

ITEM NO.	PART NUMBER	QTY.	DESCRIPTION	StockSize	Material
1	J4796-900-001	1	DIPPING BASKET BOTTOM	1/2 X 9 3/4 X 13 3/4	Natural Polypro
2	J4796-900-002	2	DIPPING BASKET FRONT AND BACK	1/2 X 2 X 12 3/4	Natural Polypro
3	J4796-900-003	2	8x12 DIPPING BASKET SIDES	1/2 X 9 3/4 X 14	Natural Polypro



1/2" TYP. ALL MATERIAL

PART SHOWN FOR REFERENCE ONLY

SECTION B-B

SECTION A-A

PROPRIETARY AND CONFIDENTIAL
 THE INFORMATION CONTAINED IN THIS DRAWING IS THE SOLE PROPERTY OF CHICAGO PLASTIC SYSTEMS. ANY REPRODUCTION IN PART OR AS A WHOLE WITHOUT THE WRITTEN PERMISSION OF CHICAGO PLASTIC SYSTEMS IS PROHIBITED.

MATERIAL
 FINISH
 DO NOT SCALE DRAWING

	NAME	DATE
DRAWN	JACOBSEN	10/28/2010
CHECKED		
ENG APPR.		
MFG APPR.		
Q.A.		
COMMENTS:		

Chicago Plastic Systems
 (800) 244-8013
 (815) 455-4599
 sales@cpsfab.com



TITLE: **8 X 12 DIPPING BASKET**

SIZE **B** DWG. NO.

J4796-000

REV **A-01**

SCALE: 1:6

WEIGHT:

SHEET 4 OF 4