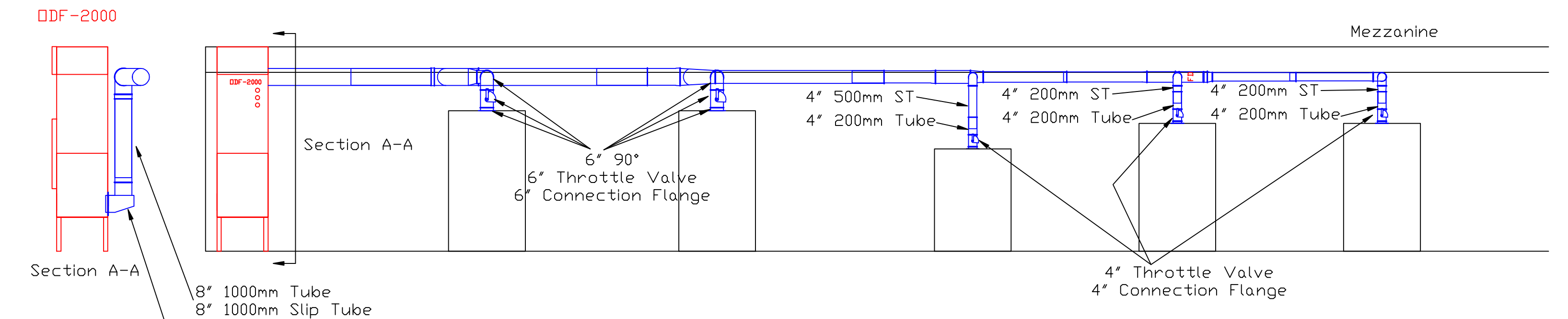
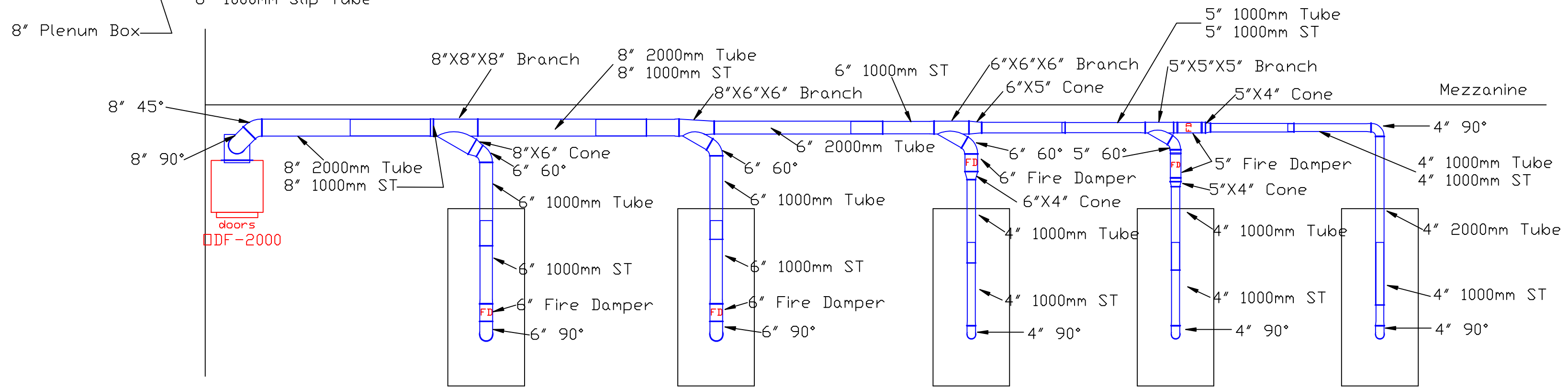


Engineered Medical ODF-2000 Duct Layout

Elevation View



Plan View



Avani Environmental Intl.
95 Cypress Drive
Youngsville, NC 27596
P# 919-570-2862 F# 919-570-2863

Avani

Project: Engineered Medical	
Drawing: ODF-2000 Duct Layout	
Date: 3/19/12	Drawn by: WWB
Sheet No: 1 of 1	Rev.: 0