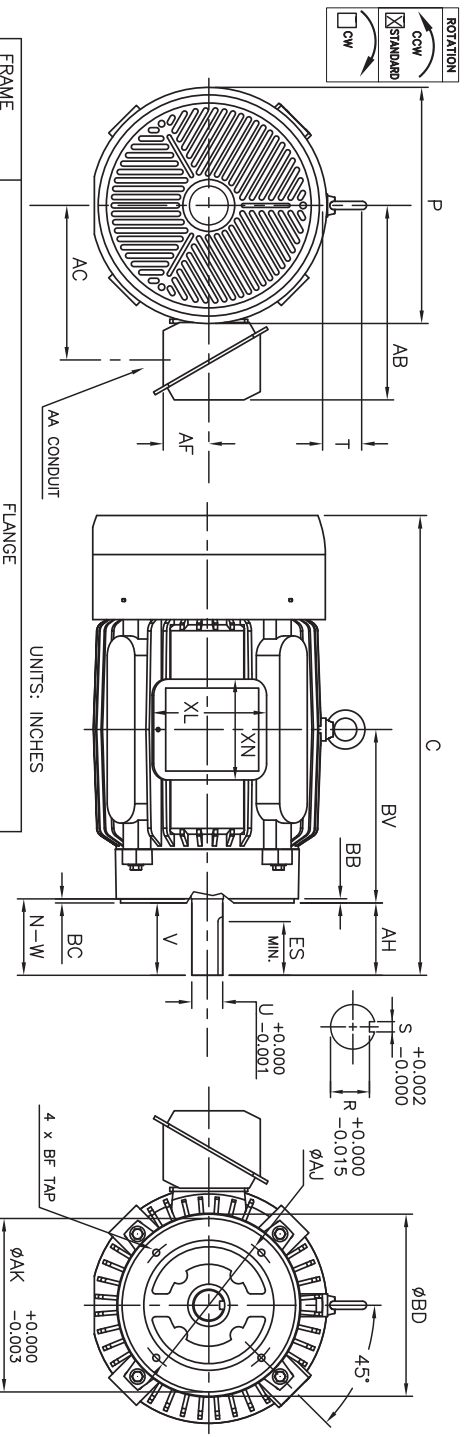


INDEX	MDSL0011-05
REV. LEVEL	3
SHEET	1 OF 1



FRAME SIZE	FLANGE								BF TAP	BV
	AH	AJ	AK	BB	BC	BD	BE	BF		
284TC/286TC	4.375	9.000	10.500	0.25	0.25	11.02	1/2"-13UNC	10.50	10.50	
284TSC/286TSC	3.00	9.000	10.500	0.25	0.25	11.02	1/2"-13UNC	10.50	10.50	

FRAME SIZE	MOTOR DIMENSIONS				CONDUIT BOX				
	C	P	T	AA	AB	AC	AF	XL	XN
284TC/286TC	27.9	14.3	2.4	1.50	11.8	9.4	2.8	7.0	6.1
284TSC/286TSC	26.6	14.3	2.4	1.50	11.8	9.4	2.8	7.0	6.1

FRAME SIZE	SHAFT EXTENSION				KEY SEAT				BEARINGS		MAXIMUM WEIGHT
	N-W	V	U	R	S	ES	LS	OS			
284TC/286TC	4.625	4.38	1.875	1.591	0.500	3.25	6310C3	6310ZZC3			471 lbs.
284TSC/286TSC	3.250	3.00	1.625	1.416	0.375	1.88	6310C3	6309ZC3			

ALL DATA SUBJECT TO CHANGE  
 WITHOUT NOTICE  
 FOR CONSTRUCTION USE ONLY  
 CERTIFIED DATA

CUSTOMER: \_\_\_\_\_ P.O. NO.: \_\_\_\_\_ TAG NO.: \_\_\_\_\_  
 MOTOR MODEL NO.: \_\_\_\_\_ TOSHIBA FILE NO.: \_\_\_\_\_  
 HP: \_\_\_\_\_ RPM (SYN.): \_\_\_\_\_ VOLTAGE: \_\_\_\_\_ Hz: \_\_\_\_\_  
 FRAME SIZE: \_\_\_\_\_ LOG NO.: \_\_\_\_\_ LOG REV. LEVEL: \_\_\_\_\_  
 REMARKS: \_\_\_\_\_  
 PER: \_\_\_\_\_ ISSUE DATE: \_\_\_\_\_ SUPERSEDES: \_\_\_\_\_

- NOTES:
1. DIMENSION V REPRESENTS LENGTH OF STRAIGHT PART OF SHAFT.
  2. CONDUIT BOX MAY BE ROTATED IN 90° INCREMENTS AND MAY BE MOUNTED ON OPPOSITE SIDE ON SPECIAL ORDER.
  3. KEY DIMENSIONS EQUAL S x S x 2.88 (MOTOR SUPPLIED WITH KEY)
  4. MOTOR WEIGHT SHOWN IS MAXIMUM HORSEPOWER IN FRAME.
  5. STANDARD PRODUCT USE BI-DIRECTIONAL FAN. OPPOSITE ROTATION AVAILABLE ONLY BY CONNECTION CHANGE.

**TOSHIBA/HOUSTON**

TOTALLY-ENCLOSED  
 FAN-COOLED  
 ROUND BODY  
 WITH C-FACE FLANGE  
 Fr. 284TC/286TC  
 Fr. 284TSC/286TSC

06 APRIL 2010 S1001104