



Date: April 13, 2015

Project:

To: Seymour

Attn:

Recommended Equipment:

(6) WB-1055 welding booth (side-by-side)

(6) Backdraft hoods (slots): 48" x 8" x 8"

(1) Fan: DBN-200 w/ 7000 CFM

(1) Silencer

(1) Economy Dust Collector (drawer type): SDC-ECO-1000

Avani Environmental Intl. Inc.

95 Cypress Drive

Youngsville, NC 27596

www.avanienvironmental.com

Phone: (919) 570-2862

Fax: (919) 570-2863

Email: info@avanienvironmental.com

www.weldingbooths.com

The drawings, AutoCAD, 3-D Models, and specifications are the property of Avani Environmental Intl. Inc. (AE) and may not be reproduced, distributed, modified, or otherwise used, except provided herein, without the express written permission of AE.



Revisions			
Rev	Description	Date	Approved

BID SPECIFICATION SHEET: WB-1000 (5' X 5') WELDING BOOTH

Each 5' x 5' welding booth comes with fully welded steel side walls, back wall and an integrated fume arm bracket.

The front of the welding booth is open for a welding curtain.

The booth will have a rear-working table with a 2" diameter opening for fixtures.

The booth shall be structurally and engineered to support overhead ducting (from 8" - 48") without having to suspend the ducting from overhead.

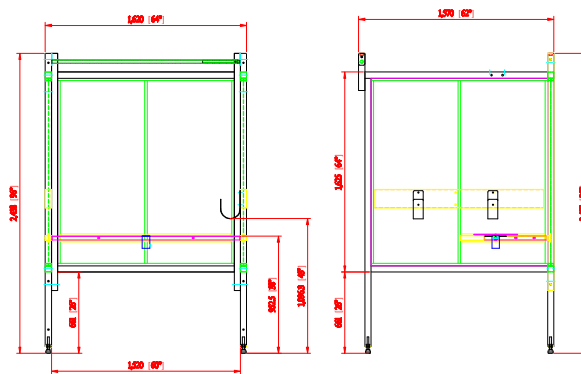
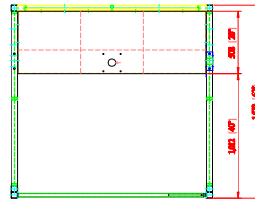
This eliminates any stress on the overhead supports and increases lighting and visibility.

WB-1055(5' x 5') BOOTH SPECIFICATIONS

- Dimensions: 60" x 60" x 8.5"
- Support Structure: 2" x 2" Welded Square Stock
- Panel Construction: 12-gauge welded steel wall with 1" welded square stock cross and bracing.
- Welding Curtain Supports: (2) welding curtain brackets
- Welding Curtain Bar
- Fume Arm Bracket: Adjustable and can be mounted on the right or left side.
- Adjustable Feet: Adjustable feet for levelling (2" - 5")
- Powder Coated: Avani Safety Blue Standard (custom colors available)
- Rear Shelf (18" x 59" solid with built in 2" fixture holder)
- Booths can be mounted back-to-back, side-to-side or both options (holes predrilled)
- Three Piece Configuration: (1) Back panel, (2) Side Panels.
- Welded Nuts: Optional locations for J-Hooks

WB-1000 OPTIONS

- Fume Arm
- 110V electrical outlet
- Explosion proof lighting
- J-Hooks
- Welder Shelves
- Air/Gas lines
- Back draft slotted hood
- Fixtures
- Oversized fume arm hood



PRELIMINARY

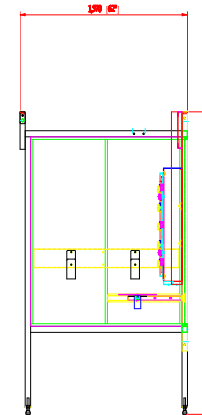
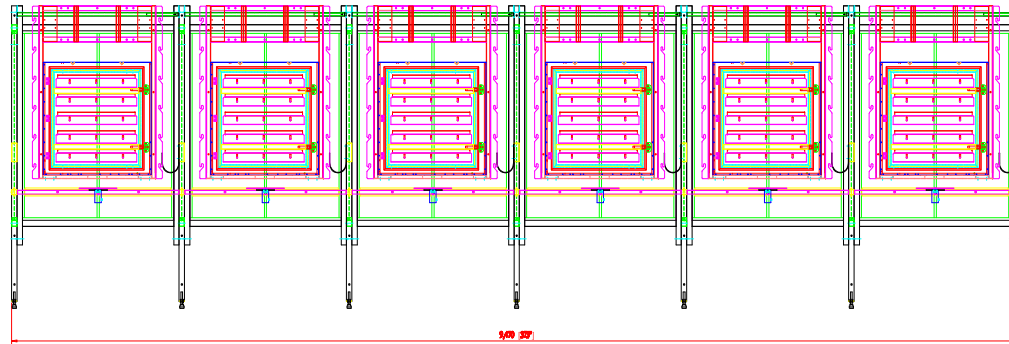
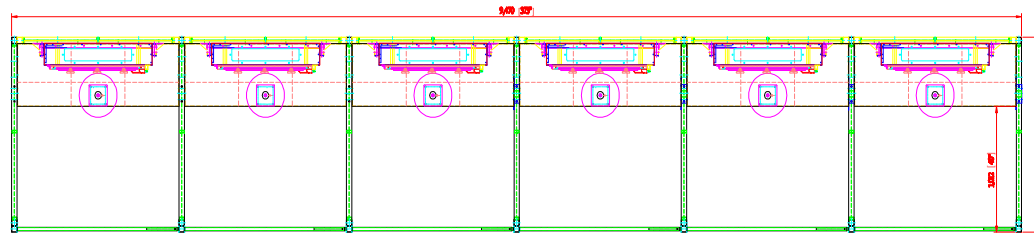
AVANI ENVIRONMENTAL INTL. INC. Sales Department 95 Cypress Drive Youngsville, NC 27596 info@avanienvironmental.com	Date: 2015-04-13 Name: *** Checked by:	Part Number: REVISION A	Title: Booth WB-1055-C
	The drawings, AutoCAD, 3-D Models, and specifications are the property of Avani Environmental Intl. Inc. (AE) and may not be reproduced, distributed, modified, or otherwise used, except provided herein, without the express written permission of AE.		Size: A Scale: 1 = 25 Drawing Number: WB-5x5S-C

DO NOT SCALE

IF IN DOUBT ASK



Revisions			
Rev	Description	Date	Approved



PRELIMINARY

AVANI ENVIRONMENTAL INTL. INC. Sales Department
 95 Cypress Drive
 Youngsville, NC 27596
 (919) 570-2862
 info@avanienvironmental.com

Drawn by:	Date	Name	Part Number:
Checked by:	2015-04-13	***	REVISION A
The drawings, AutoCAD, 3-D Models, and specifications are the property of Avani Environmental Intl. Inc. (AE) and may not be reproduced, distributed, modified, or otherwise used, except provided herein, without the express written permission of AE.			

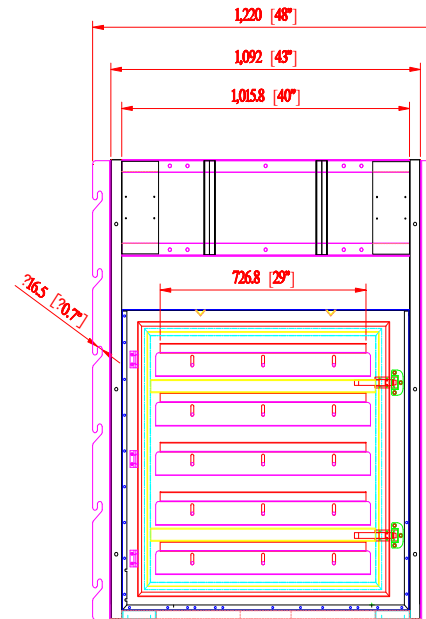
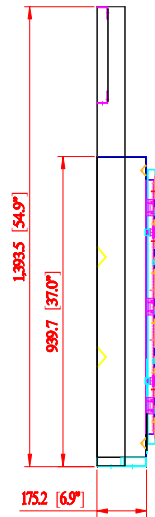
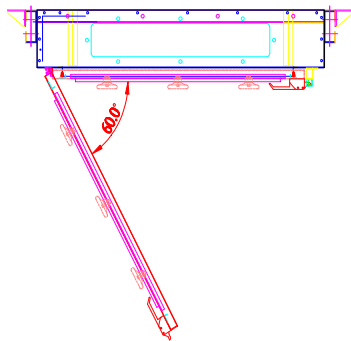
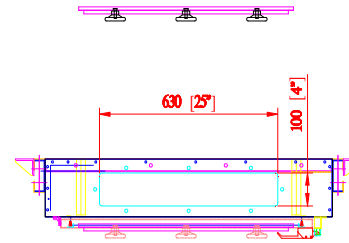
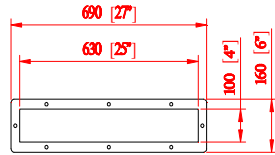
Title:		
Welding Booth: WB-1055-C layout		
Size	Scale	Drawing Number:
A	1 = 15	Welding Booth: WB-1055

DO NOT SCALE

IF IN DOUBT ASK



Revisions			
Rev	Description	Date	Approved



PRELIMINARY

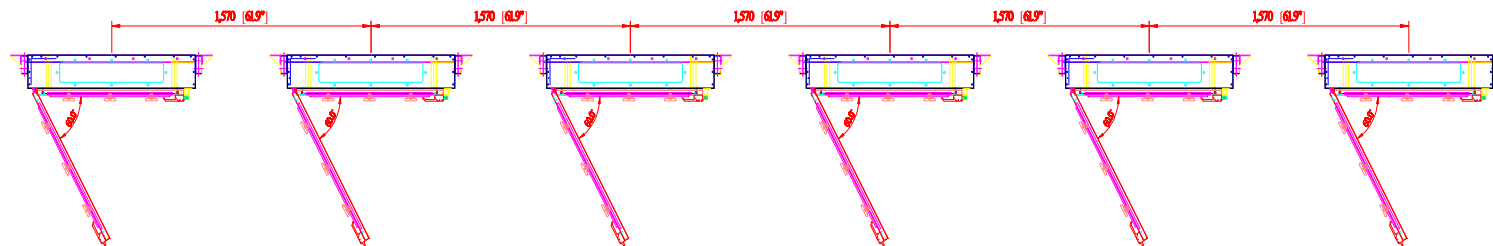
AVANI ENVIRONMENTAL INTL. INC. Sales Department 95 Cypress Drive Youngsville, NC 27596 (919) 570-2862 info@avanienvironmental.com	Date 2015-04-13	Name ***	Part Number: REVISION A	Title: Backdraft Hood: 48"L x 8"W x 8"H-C	
	Checked by:	The drawings, AutoCAD, 3-D Models, and specifications are the property of Avani Environmental Intl. Inc. (AE) and may not be reproduced, distributed, modified, or otherwise used, except provided herein, without the express written permission of AE.		Size A	Scale 1 = 15

DO NOT SCALE

IF IN DOUBT ASK



Revisions			
Rev	Description	Date	Approved



PRELIMINARY

AVANI ENVIRONMENTAL INTL. INC. Sales Department
 95 Cypress Drive (919) 570-2862
 Youngsville, NC 27596 info@avanienvironmental.com

	Date	Name	Part Number: REVISION A
Drawn by:	2015-04-13	***	
Checked by:			
The drawings, AutoCAD, 3-D Models, and specifications are the property of Avani Environmental Intl. Inc. (AE) and may not be reproduced, distributed, modified, or otherwise used, except provided herein, without the express written permission of AE.			

Title: Backdraft Hood: 48"L x 8"W x 8"H-C LAYOUT		
Size A	Scale 1 = 15	Drawing Number: Backdraft Hood: 50"L x 6"W x 6"H-C

DO NOT SCALE

IF IN DOUBT ASK



Revisions			
Rev	Description	Date	Approved

**SDC-ECO-1000 DRAWER TYPE
ECONOMY DUST COLLECTOR SPECIFICATIONS**

- Motor: 1.5HP
- ***NEMA Motor
- ***Aluminum Impeller
- Electric Spec: 120V / 60Hz / 1Ph (wired at 120V)
- Airflow: 1100 CFM (1867.8 m3/hr)

Filtration Stages:

1. Cartridge Filter: DIA. 380 x 660mm x 1 pc
 - spec: dia. 380 x 660mmL (15" x 26"L)
 - filtering area: 25m2 x 1 = 25m2 (269 ft2)
 - Material: 80/20 FR.

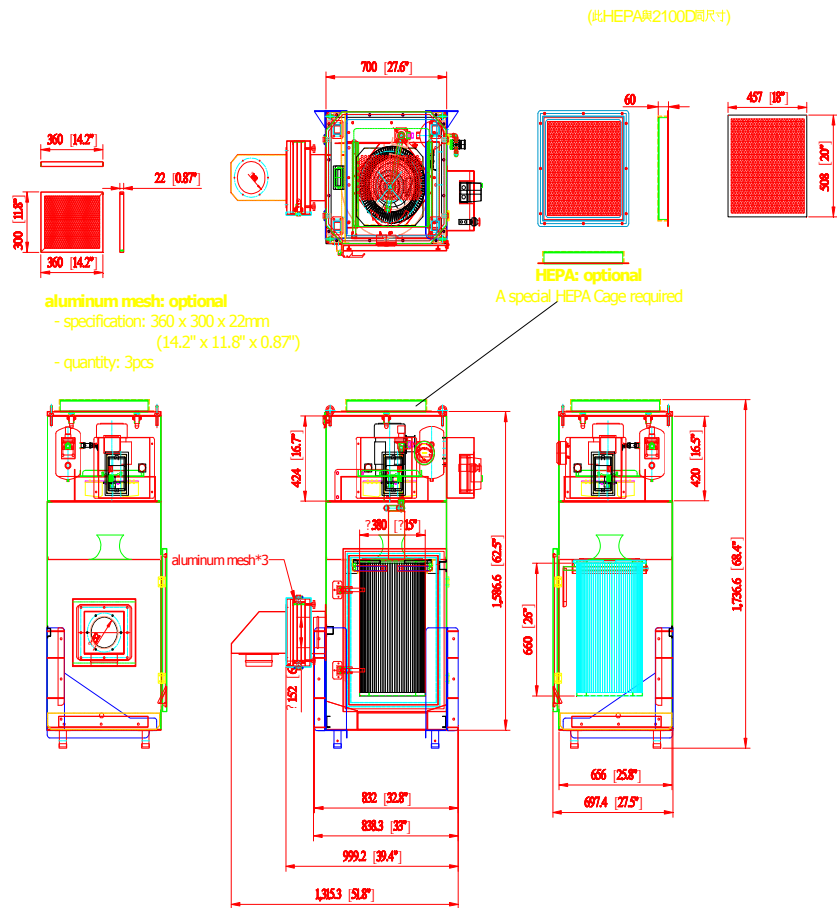
- No. of Valves: 1
- Compressed Air Requirement: 90 PSI
- Compressed Air Reservoir: 0.88 gallon
- Dimension: main machine: 33" x 27.5" x 67.5"
(838.3 x 697.4 x 1713.9mm)
- Construction: 14 gauge steel
- Max. Operating Temp.: 120°C
- Paint Color: powder coated Blue
- Inlet Port: dia. 152 mm / 6" x 1 hole

Standard Accessory:

- Reverse jet pulse system
- Door locker: compression latch
- Top quick access door for easy maintenance
- Removable control panel can be fixed on the unit or elsewhere
- **gauge hole pre-drilled.

Optional Accessory:

- Arm Base
- Wall Bracket
- Spark Trap
- HEPA



AVANI ENVIRONMENTAL INTL. INC. Sales Department
95 Cypress Drive (919) 570-2862
Youngsville, NC 27596 info@avanienvironmental.com

	Date	Name	Part Number:
Drawn by:	2011-05-12	***	SDC-ECO-1000
Checked by:			(1.5HP / Drawer type)

Title: Economy Dust Collector
(Drawer Type)

The drawings, AutoCAD, 3-D Models, and specifications are the property of Avani Environmental Intl. Inc. (AE) and may not be reproduced, distributed, modified, or otherwise used, except provided herein, without the express written permission of AE.

Size	Scale	Drawing Number:
B	1 = 20	FE-2100ND2-01B A02-04-FE-2100LS-1.5









