



Date: April 17, 2015

Project:

To: Rider

Attn:

Recommended Equipment:

(10) SDT-180-8 downdraft table w/8" outlets

(1) DBN-400 blower: 15,000CFM @ 8"sp

(2) SPC-1000 w/ARM2030P

Avani Environmental Intl. Inc.

95 Cypress Drive

Youngsville, NC 27596

www.avanienvironmental.com

Phone: (919) 570-2862

Fax: (919) 570-2863

Email: info@avanienvironmental.com

www.weldingbooths.com

The drawings, AutoCAD, 3-D Models, and specifications are the property of Avani Environmental Intl. Inc. (AE) and may not be reproduced, distributed, modified, or otherwise used, except provided herein, without the express written permission of AE.

DO NOT SCALE

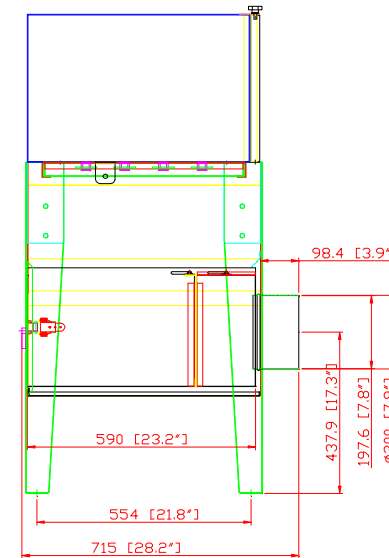
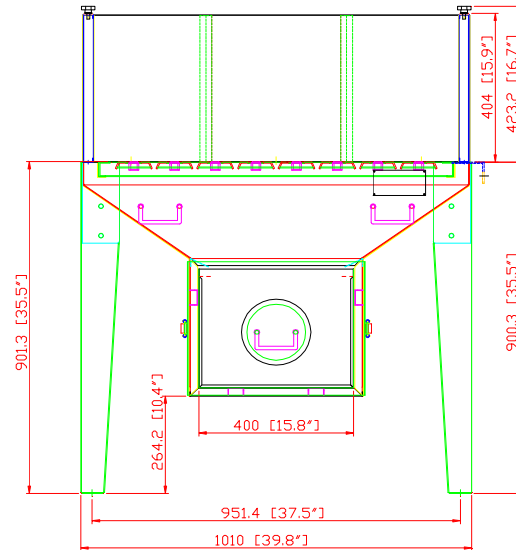
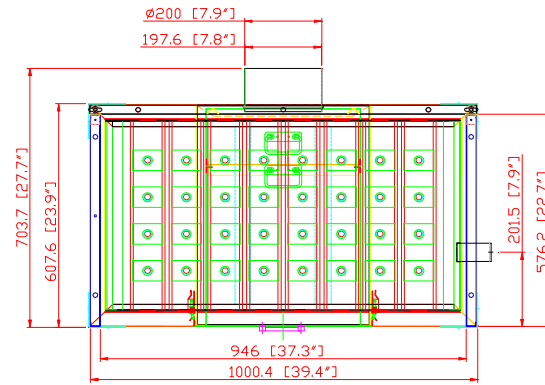
IF IN DOUBT ASK



Revisions			
Rev	Description	Date	Approved

- SDT-180-8 DOWNDRAFT TABLE SPECIFICATION -

- motor: NIL.
- dimensions: 39.8"L x 27.7"D x 52.1"H
- cabinet: 12-16 Gauge
- full grated top: 36.1"W x 20.4"D
- 3 single wall: removable sheet metal sides/back
- *** outlet: dia. 8"
- paint color: powder coated Blue
- *** grated table top with 16mm fixture holes



PRELIMINARY

AVANI ENVIRONMENTAL INTL. INC. Sales Department
 95 Cypress Drive (919) 570-2862
 Youngsville, NC 27596 info@avanienvironmental.com

Drawn by:	Date	Name	Part Number:	Title:
Checked by:	2015-04-16	***	REVISION A	SDT-180-8 Downdraft Table

The drawings, AutoCAD, 3-D Models, and specifications are the property of Avani Environmental Intl. Inc. (AE) and may not be reproduced, distributed, modified, or otherwise used, except provided herein, without the express written permission of AE.

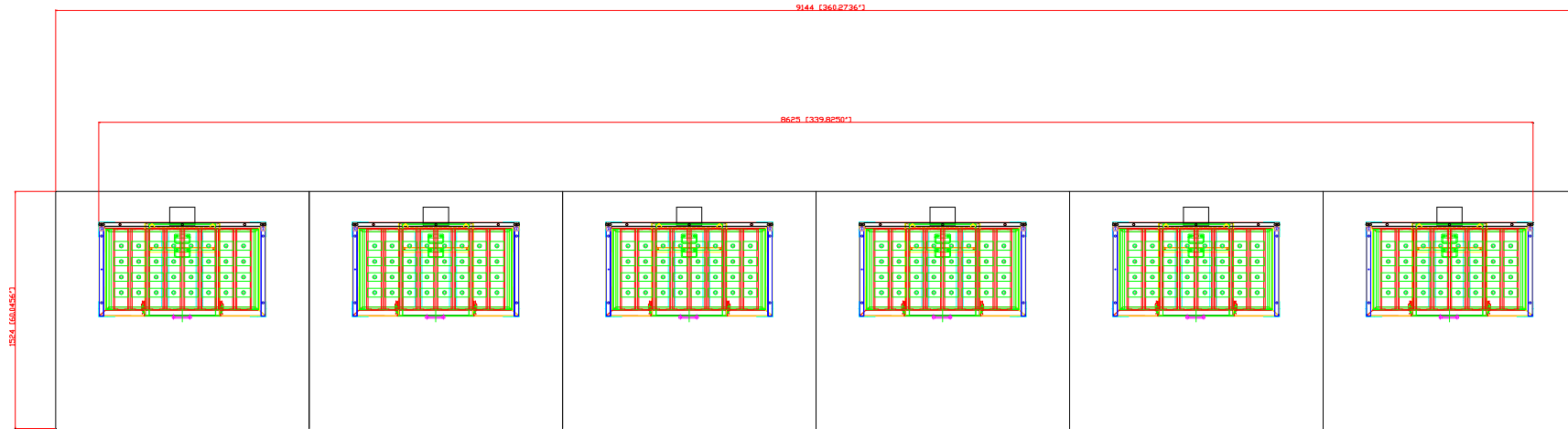
Size	Scale	Drawing Number:
C	1 = 20	Rider SDT-180-8 Page 1 of 3

DO NOT SCALE

IF IN DOUBT ASK



Revisions			
Rev	Description	Date	Approved



PRELIMINARY

AVANI ENVIRONMENTAL INTL. INC. Sales Department

95 Cypress Drive

Youngsville, NC 27596

(919) 570-2862

info@avanienvironmental.com

	Date	Name	Part Number:
Drawn by:	2015-04-17	***	REVISION A
Checked by:			

Title: **Rider High School
Layout - 6 x SDT-180-8**

The drawings, AutoCAD, 3-D Models, and specifications are the property of Avani Environmental Intl. Inc. (AE) and may not be reproduced, distributed, modified, or otherwise used, except provided herein, without the express written permission of AE.

Size **C**

Scale
1 = 20

Drawing Number:
Rider SDT-180-8
Page 2 of 3

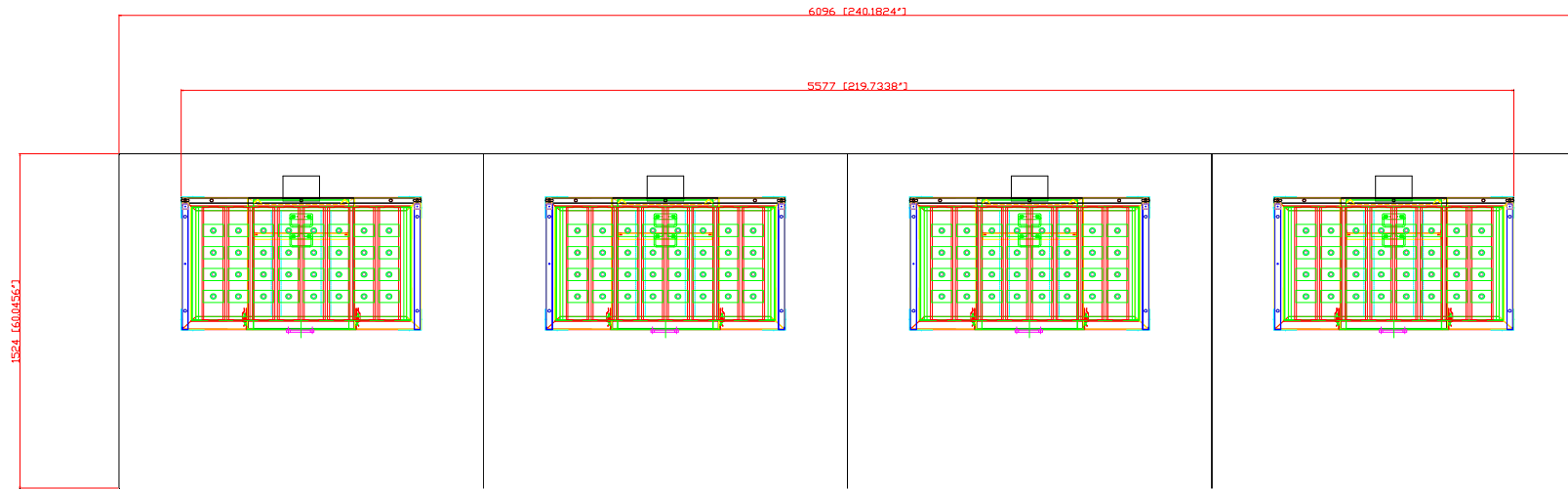
DO NOT SCALE

IF IN DOUBT ASK



Revisions

Rev	Description	Date	Approved



PRELIMINARY

AVANI ENVIRONMENTAL INTL. INC. Sales Department
 95 Cypress Drive (919) 570-2862
 Youngsville, NC 27596 info@avanienvironmental.com

Drawn by:	Date	Name	Part Number:
	2015-04-17	***	REVISION A
Checked by:			

Title: **Rider High School Layout
 4 x SDT-180-8**

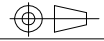
The drawings, AutoCAD, 3-D Models, and specifications are the property of Avani Environmental Intl. Inc. (AE) and may not be reproduced, distributed, modified, or otherwise used, except provided herein, without the express written permission of AE.

Size **C** Scale 1 = 20

Drawing Number: Rider SDT-180-8
 Page 3 of 3

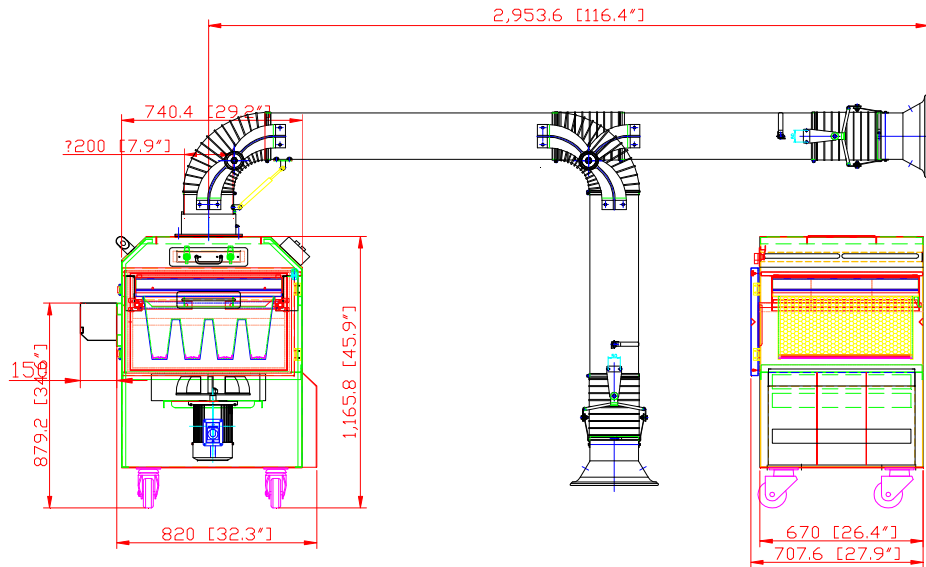
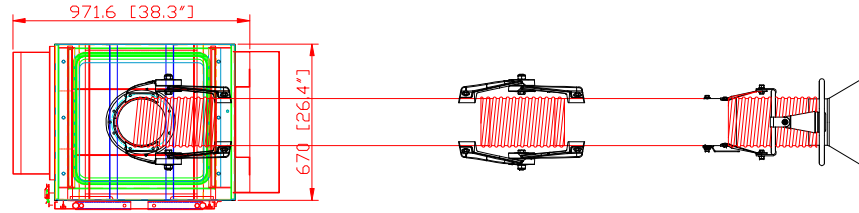
DO NOT SCALE

IF IN DOUBT ASK



Revisions

Rev	Description	Date	Approved
-----	-------------	------	----------



PRELIMINARY

AVANI ENVIRONMENTAL INTL. INC. Sales Department
 95 Cypress Drive (919) 570-2862
 Youngsville, NC 27596 info@avanienvironmental.com

Drawn by:	Date	Name	Part Number: REVISION A
Checked by:	2015-04-17	***	

Title: SPC-1000 w/ARM 2030P

The drawings, AutoCAD, 3-D Models, and specifications are the property of Avani Environmental Intl. Inc. (AE) and may not be reproduced, distributed, modified, or otherwise used, except provided herein, without the express written permission of AE.

Size
C

Scale
1 = 20

Drawing Number:
Rider SPC-1000 w/ARM2030P
Page 1 of 1