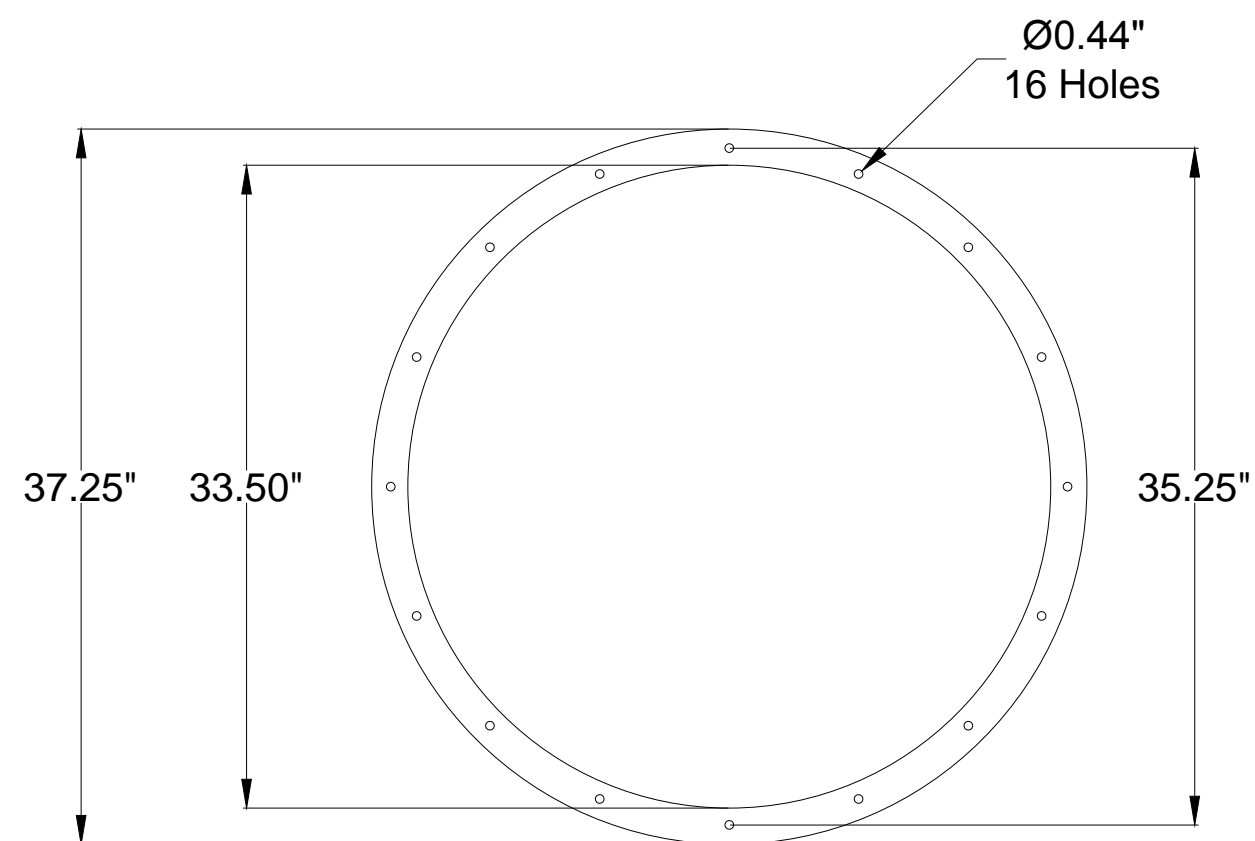
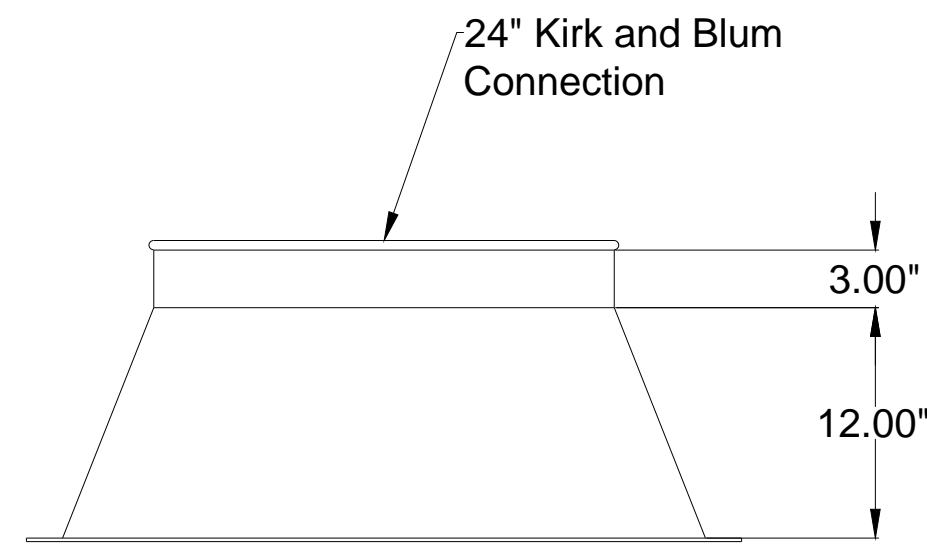


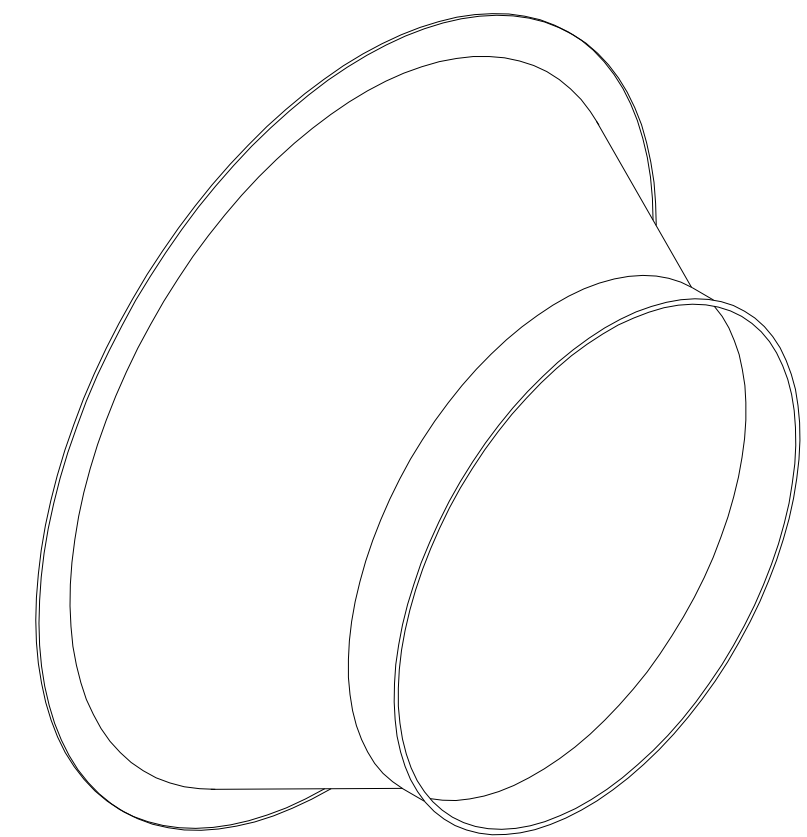
Eaton Electrical Group Fan to K&B Duct



Flange View



Top View



Isometric View

Notes:

1. Flange to match inlet flange on Fan
2. 24" K&B connection on outlet of reducer

Avani Environmental Intl.
95 Cypress Drive
Youngsville, NC 27596
P# 919-570-2862 F# 919-570-2863

Avani

Project: Eaton Electrical Group

Drawing: Fan to K&B Duct

Date: 2/19/2013

Drawn by:MDT

Sheet No: 1 of 1

Rev.:0