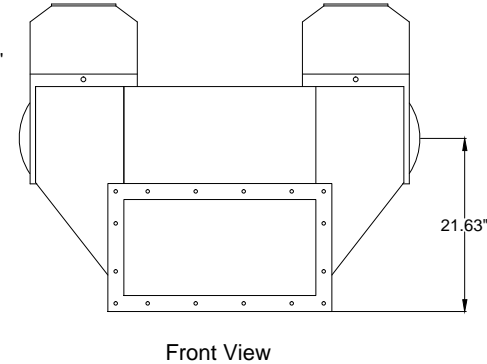
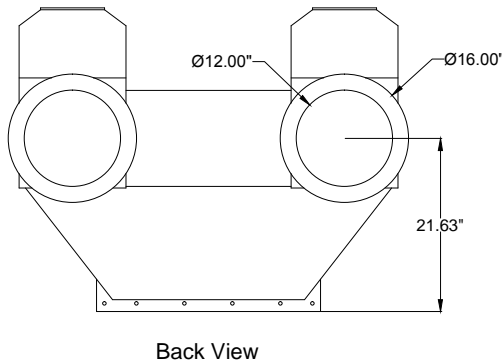
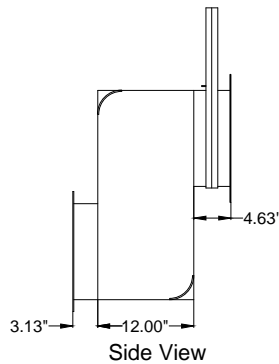
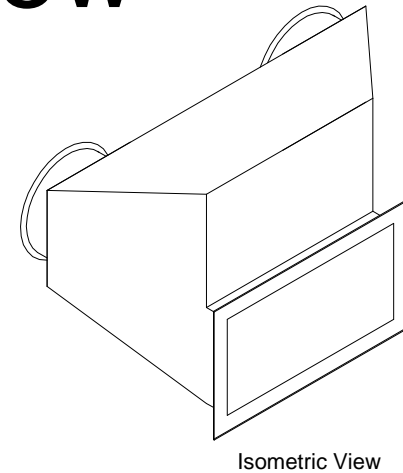
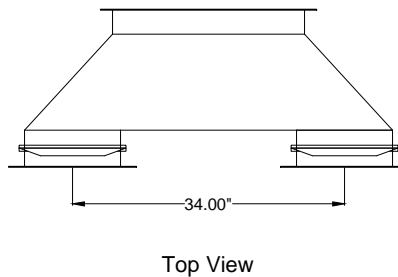
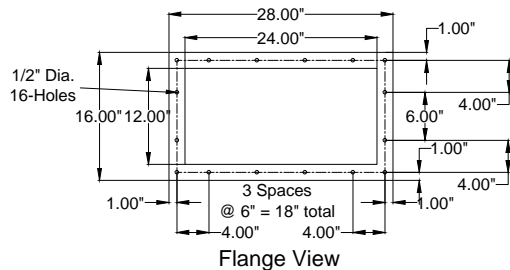


# Eaton Electrical Group Plenum Detail View



## Notes:

1. Airtight plenum box
2. Sheet metal 1/8" thick
3. Flanges will match downdraft table and wet-track dust collector

Avani Environmental Intl.  
95 Cypress Drive  
Youngsville, NC 27596  
P# 919-570-2862 F# 919-570-2863

# Avani

**Project: Eaton Electrical Group**

**Drawing: Plenum Detailed View**

**Date: 12/19/12**

**Drawn by:MDT**

**Sheet No: 1 Of 2**

**Rev.: 0**