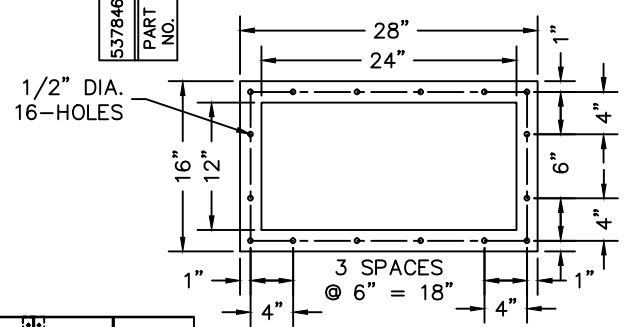


BILL OF MATERIAL					
FIG	DESCRIPTION	PART NO.	DWG NO.	MAT'L	ITEM
1	BENCH ASSEMBLY	537848	D02922		1
1	PANEL ASSEMBLY	537850	B01690		2
1	(GAL.) PAINT; AVANI BLUE	536624			3
38	BOLT, 3/8"-16N.C. WIZ x 1-1/4" LG.	516038		ZINC PLT.	4
38	NUT, 3/8" WIZ	514934		ZINC PLT.	5



OUTLET DETAIL
MADE FROM 2"x2"x1/4" ANGLE
SF=2

REV	CHG#	DATE	BY	REVISION
B	1	12/13/12	J.L.	LENGTHENED BENCH 12"
A	1	12/6/12	J.L.	CHANGED PER MANUFACTURING DRAWINGS

CERTIFIED PRINT
USE ONLY FOR
YOUR ORDER 5537
OUR ORDER 64922
CUST. AVANI ENVIRONMENTAL INC.
DATE 12/04/12

Downdraft
Table