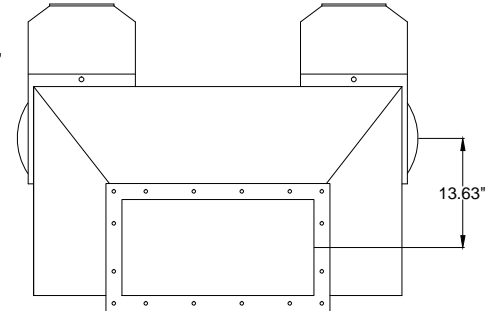
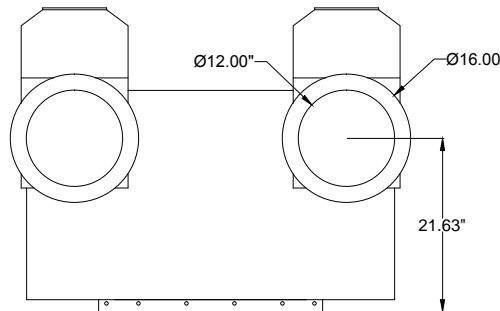
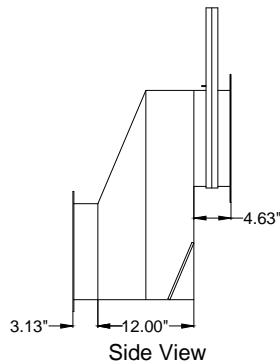
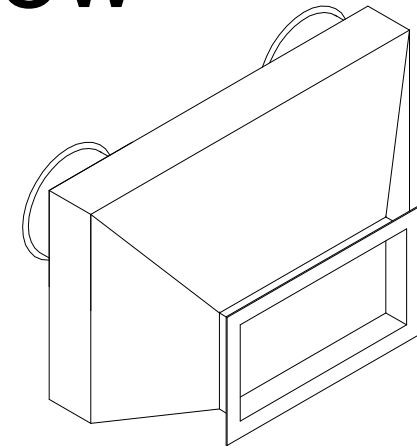
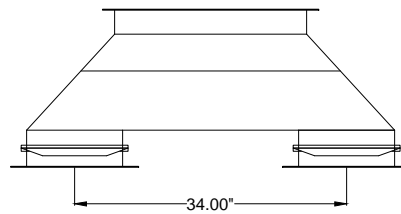
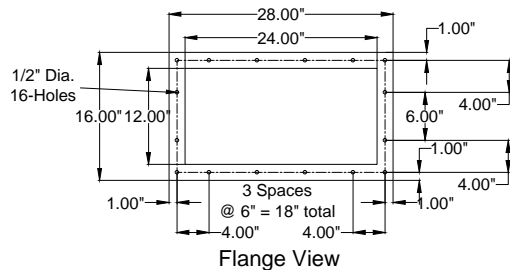


Eaton Electrical Group Plenum Detail View



Notes:

1. Airtight plenum box
2. Sheet metal 1/8" thick
3. Flanges will match downdraft table and wet-track dust collector

Avani Environmental Intl.
95 Cypress Drive
Youngsville, NC 27596
P# 919-570-2862 F# 919-570-2863

Avani

Project: Eaton Electrical Group

Drawing: Plenum Detailed View - Rev 1

Date: 1/16/13

Drawn by:MDT

Sheet No: 1 Of 1

Rev.:1