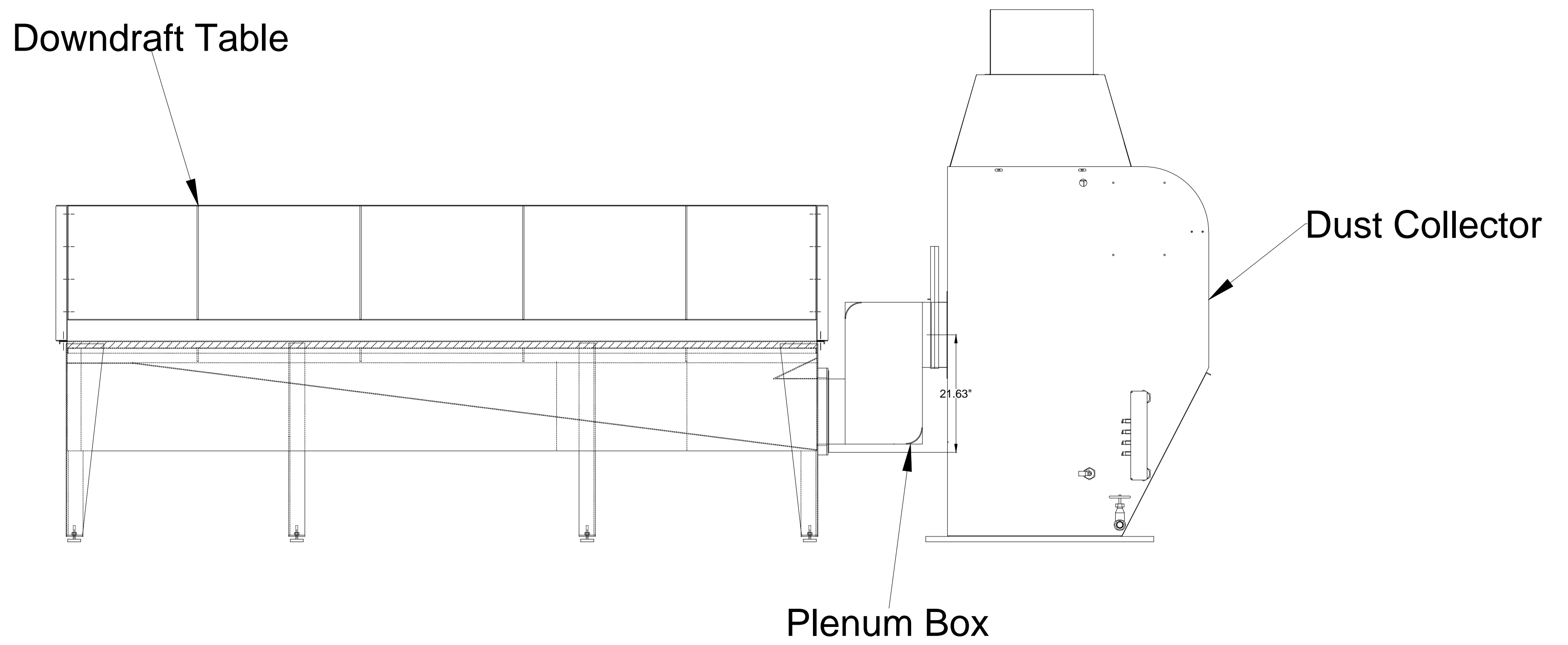
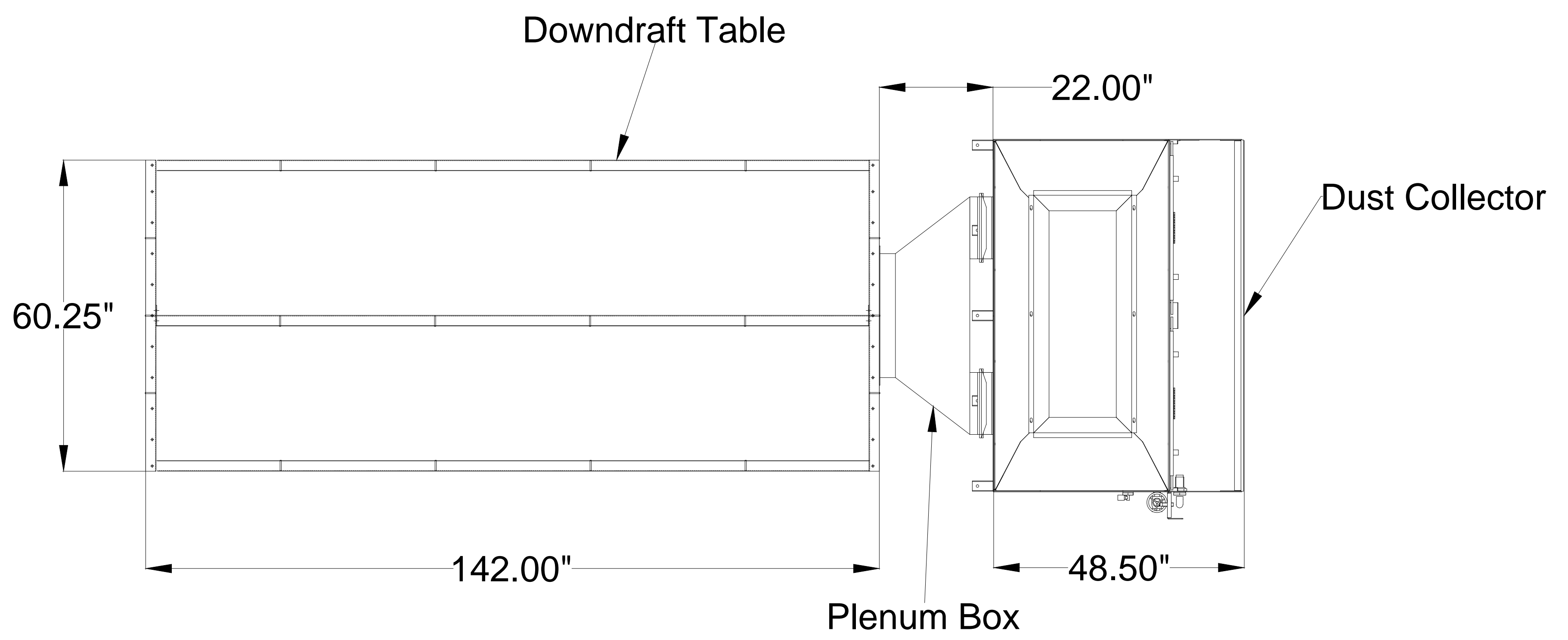


Eaton Electrical Group Plenum Connection



Elevation View



Plan View

Avani Environmental Intl.
95 Cypress Drive
Youngsville, NC 27596
P# 919-570-2862 F# 919-570-2863

Avani

Project: Eaton Electrical Group

Drawing: DDT to Collector Diagram

Date: 1/1/13

Drawn by:MDT

Sheet No: 2 of 2

Rev.: 0