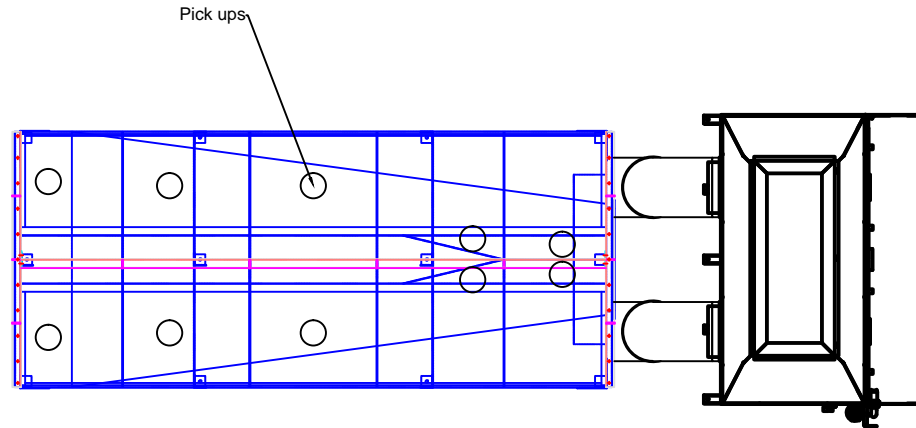
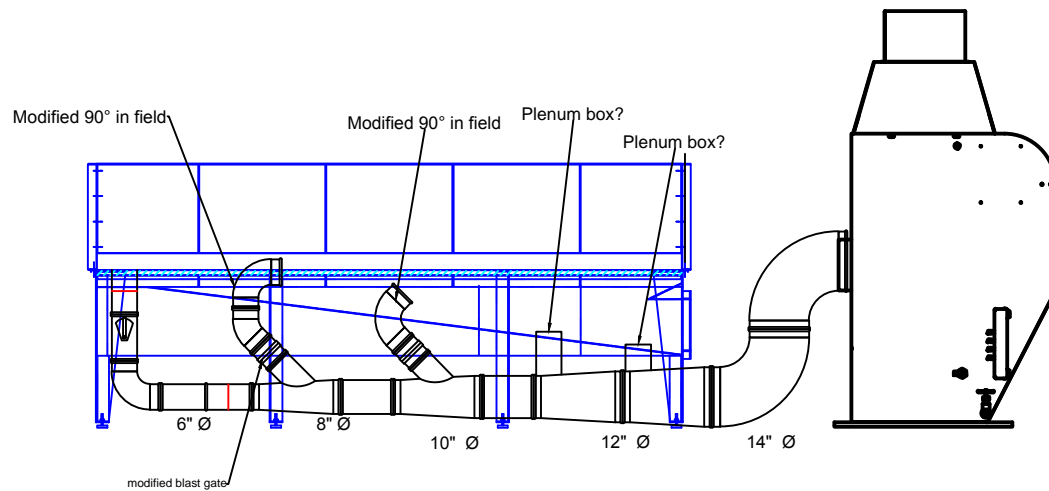


Eaton Electrical Duct Layout



Plan View



Elevation View

Avani Environmental Intl.
 95 Cypress Drive
 Youngsville, NC 27596
 P# 919-570-2862 F# 919-570-2863

Avani

Project: Eaton Electrical Group	
Drawing: Duct Layout	
Date: 1/21/13	Drawn by:MDT
Sheet No: 1 Of 1	Rev.: 0