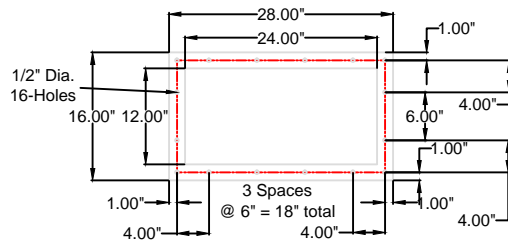
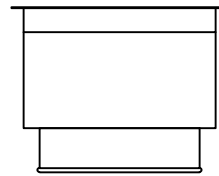


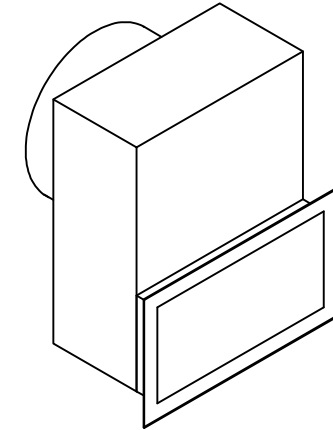
Eaton Electrical Group Plenum Detail View



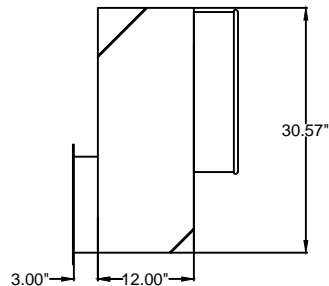
Flange View



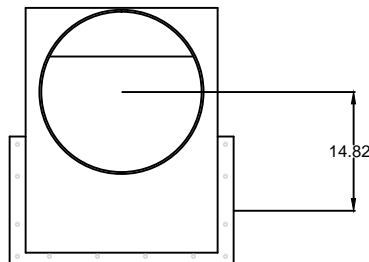
Top View



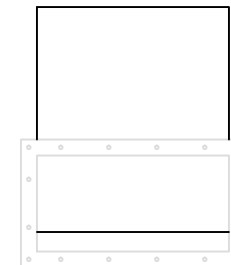
Isometric View



Side View



Back View



Front View

Notes:

1. Airtight plenum box
2. Sheet metal 1/8" thick
3. Flanges will match downdraft table and wet-track dust collector
4. Door on Side to enable cleaning inside plenum

Avani Environmental Intl.
95 Cypress Drive
Youngsville, NC 27596
P# 919-570-2862 F# 919-570-2863

Avani

Project: Eaton Electrical Group

Drawing: Plenum Detailed View

Date: 1/8/13

Drawn by:MDT

Sheet No: 1 Of 2

Rev.: 0