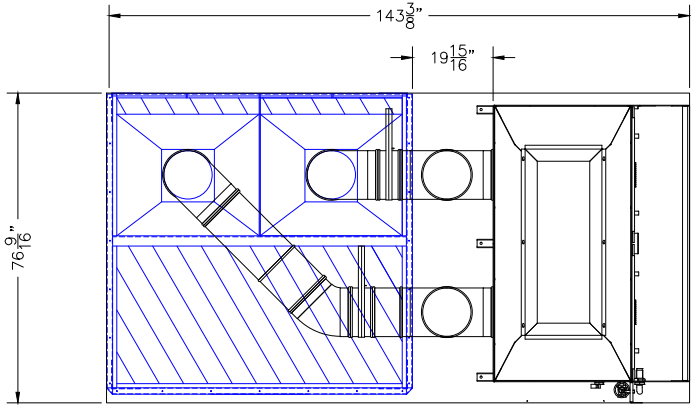
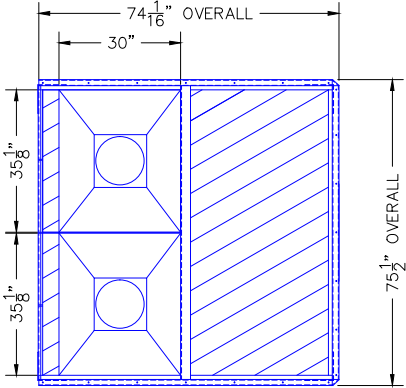


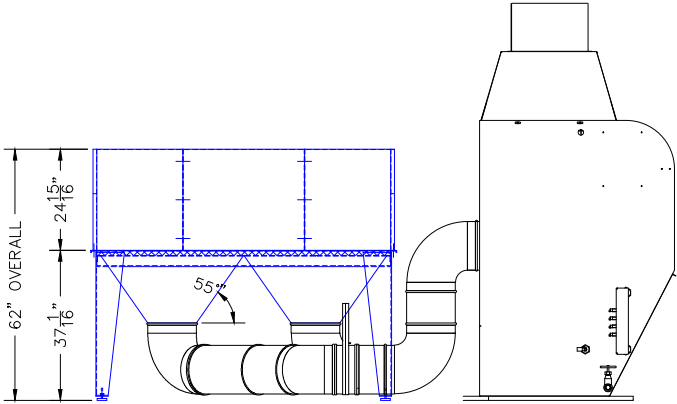
# Downdraft Table Duct Layout



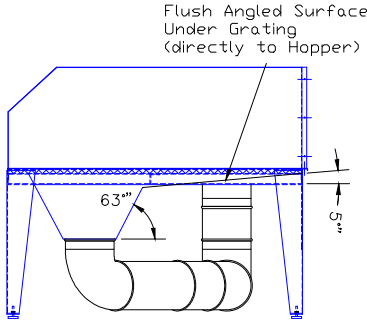
Top View



Top View  
(hoppers only)



Front View



Side View

- Notes:
1. Table/Hoppers In Blue
  2. Duct in White
  3. Elbows welded/siliconed to Hoppers
  4. Covered aread at 5° angle to slope to hopper area

Avani Environmental Intl.  
 95 Cypress Drive  
 Youngsville, NC 27596  
 P# 919-570-2862 F# 919-570-2863

## Avani

Project: Eaton Electrical	
Drawing: Downdraft Table	
Date: 4/29/2013	Drawn by: MDT
Sheet No: 1 Of 1	Rev.:1